



# POOL TECHNOLOGY



---

Branded products of the highest quality

# HIGH QUALITY

We offer original products from the leading manufacturers in the industry. The high quality of the goods supplied is our priority. Our customers can count on a professional, efficient and friendly service.

## Comments:

The photographs contained herein, as well as other non are protected by the copyrights of Basen i Sauna and its business partners. Use for commercial purposes without the author's consent is prohibited. The copyright applies to companies, among others:

AQUA CONTROL, CARIITI, DESCON, DRYDEN AQUA, ELBTAL PLASTICS, HAOGEN PLAST, HAYWARD, HEXAGONE, HUGO LAHME, IDEAL EICHENWALD, KAUT, KRISPOL, LEISTER, LOVIBOND, MKT, MTS, PAHLÉN, PIERRA, POOLNARIO, SCANDI ROC, SET, SPECK PUMPEN, UWE, VAGNER POOL, VDL, WDT AND OTHERS

Copying, distribution, reprinting and publication in any form (including electronic) for commercial or private purposes without the permission of the author's consent.

## Legal notice

All illustrations in the catalogue are valid only for the model shown, but not the product series. The dimensional tolerances given in the catalogue are +/- 2%.

Subject to technical changes. This catalogue does not constitute an offer This catalogue is not a commercial offer in the meaning of the Civil Code.



# Sikimmer pool

The diagram shows the location of the equipment and the connection of the fittings necessary to equip the pool. The drawing shows the filter pump, the so-called heart of the pool, whose role is to draw in from the skimmers (left wall of the pool) and forces the water through the 6-way valve into the pool filter. The pipework leads the water back into the circuit and the purified water returns to the pool through the inlet jets (right wall of the pool).

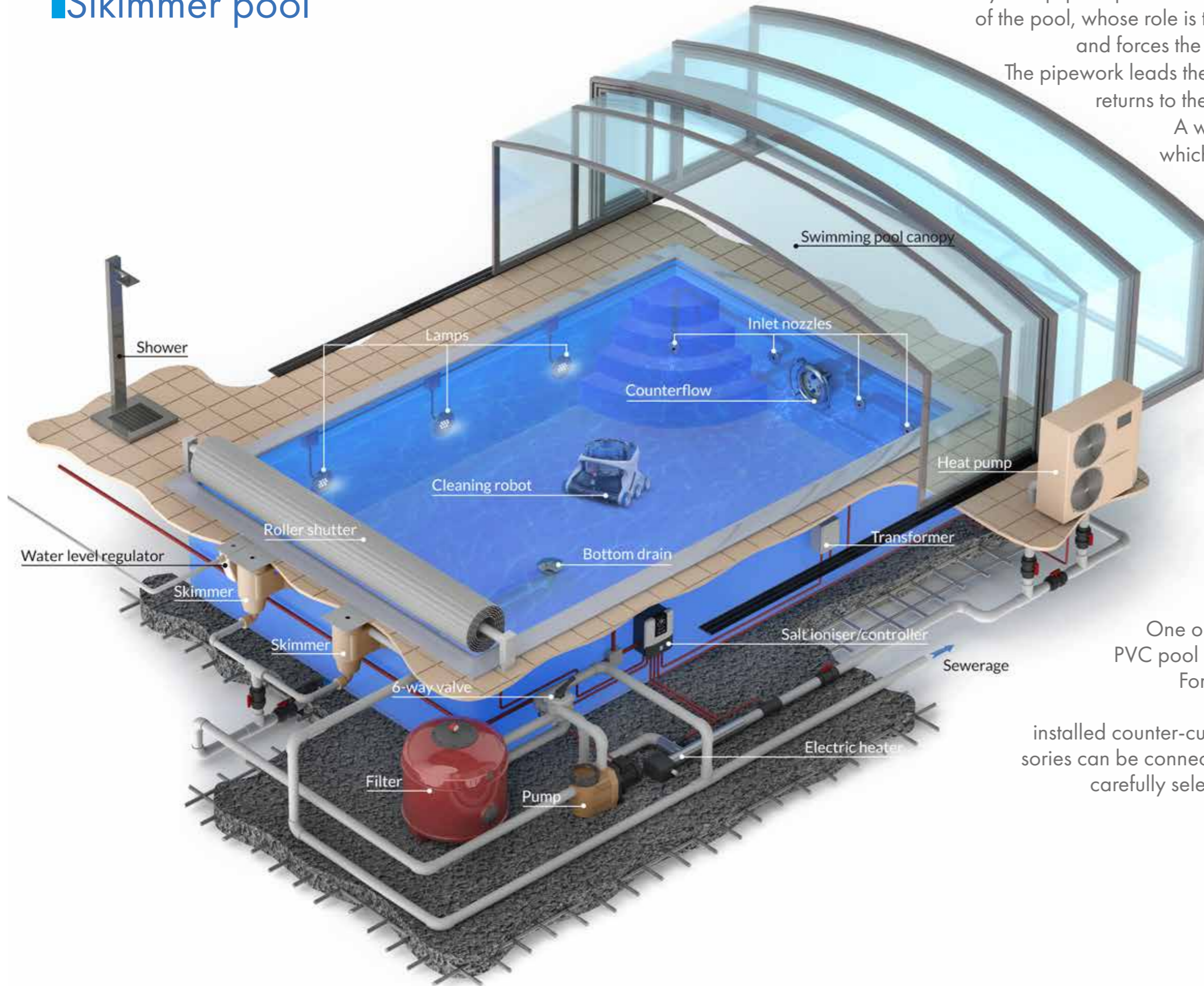
A water level regulator is installed at the left skimmer, which replenishes the water in the variants and ensures the appropriate pool water parameters.

**You can choose from the following heaters:**

- Electric heaters
- Heat exchangers (central heating)
- Solar collector
- Heat pump

**One of the control options pool is:**

- digital pool controller or manual
- KNX system (intelligent house)



One option for covering the water mirror is a roller blind PVC pool roller blind or a manual retractor with a solar film. For garden pools, it is possible to install a canopy. On the right-hand wall of the pool you can see installed counter-current (Jet) for swimming in place (massage accessories can be connected). For the illumination of your pool, you should carefully select the underwater lighting and the other elements.

# Overflow pool

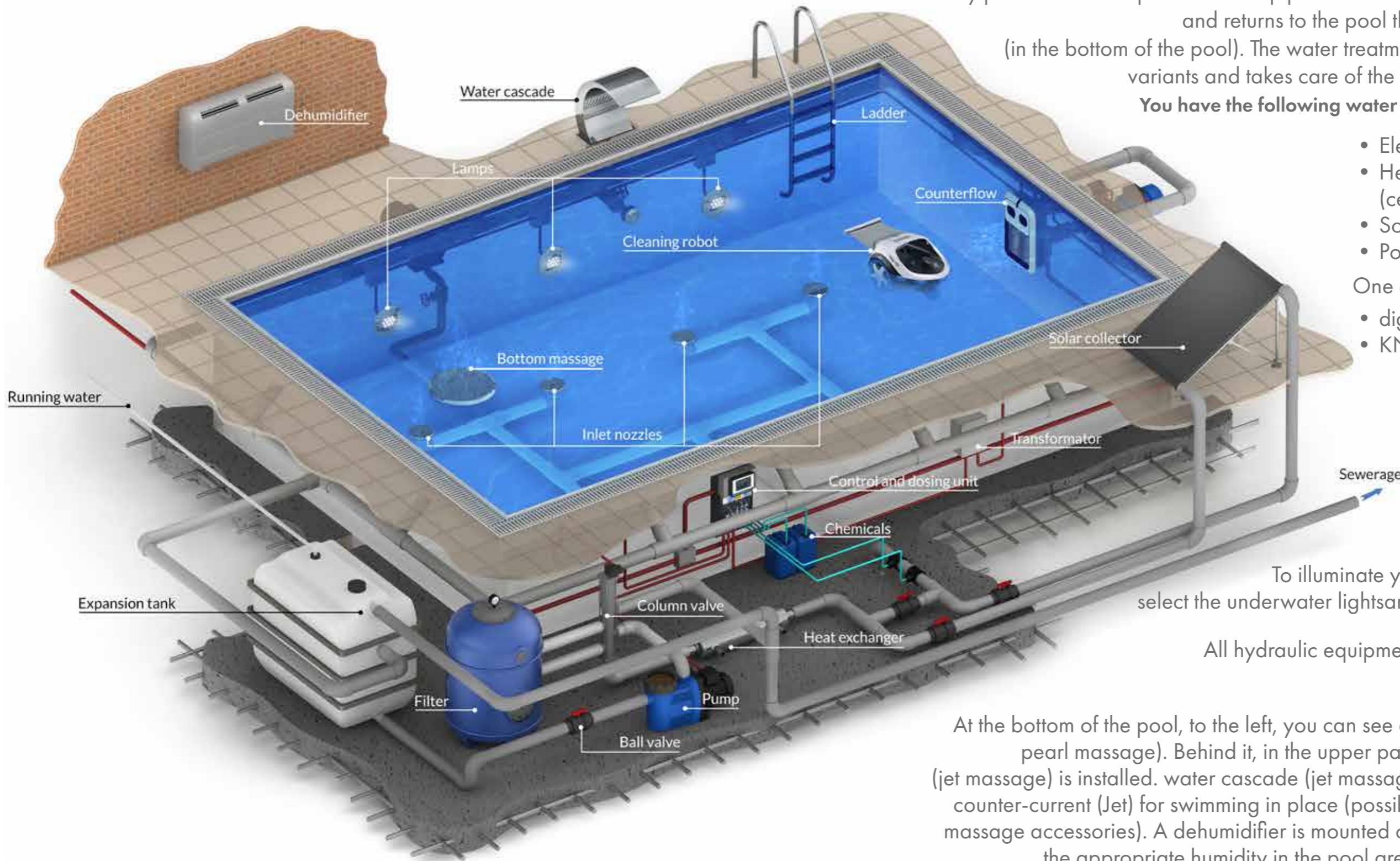
This scheme is often found in hotels, public facilities and spas. In this solution, the filtration process occurs from the bottom of the pool upwards overflowing into an overflow trough. The water then enters the overflow basin, which is designed to control the water level. The figure shows the filter pump, the so-called heart of the pool, whose role is to suck in and pump the water through a 4-way post valve to the pool filter. The pipework leads the water back into the circuit and returns to the pool through the bottom inlet nozzles (in the bottom of the pool). The water treatment plant is available in various variants and takes care of the correct pool water parameters.

**You have the following water heating systems to choose from:**

- Electric heaters
- Heat exchangers (central heating)
- Solar collector
- Pompa ciepła

One of the control options pool is:

- digital pool controller or manual
- KNX system (intelligent house)



To illuminate your pool, you need to carefully select the underwater lights and other electrical components.

All hydraulic equipment is connected by PVC piping.

At the bottom of the pool, to the left, you can see an air geyser (bottom massage pearl massage). Behind it, in the upper part of the pool, a water cascade (jet massage) is installed. On the right wall, there is a counter-current (Jet) for swimming in place (possibility to connect accessories for massage accessories). A dehumidifier is mounted on the wall, which takes care of the appropriate humidity in the pool area. In the pool there is a Hoover

List of installation elements

Dimensions of the pool [m]	3x5	4x6	4x7	4x8	4x9	4,5x9	5x10	6x12
Amount of water at high 1,35m	20m <sup>3</sup>	32m <sup>3</sup>	38m <sup>3</sup>	43m <sup>3</sup>	49m <sup>3</sup>	55m <sup>3</sup>	68m <sup>3</sup>	98m <sup>3</sup>
Bottom drain	1	1	1	1	1	1	1	1
Skimmer	1	1	1	1	1	2	2	3
Inlet nozzle	2	3	3	4	4	4	4	6
Masonry culvert	2	3	3	4	4	4	4	6
Lamp	1	2	2	2	2	2	3	4
Filter diameter in mm approx.	400	400	450	500	600	640	640	760
Pump capacity m <sup>3</sup> /h	6	8	8	11	11	14	14	20
Pump operating time in h/day approx.	10	12	14	12	14	12	14	15
Power consumption kw/h/day	1,72	2,60	3,44	5,20	5,85	6,50	8,50	11,10

Liner calculation - example

Bottom surface	Wall area	Total area
$L \times l = S1$	$(L + l) \times 2 \times H = S2$	$S1 + S2 = S$

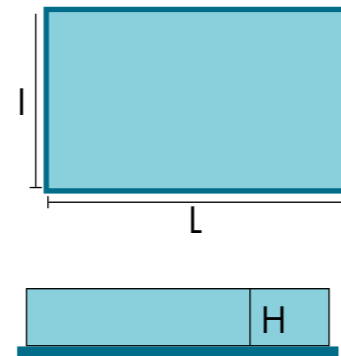
Example:

Swimming pool with dimensions 10 x 5 m, height of walls 1,5 m

Bottom surface S1:  $10 \times 5 = 50 \text{ m}^2$

Wall area S2:  $(10 + 5) \times 2 \times 1,5 = 45 \text{ m}^2$

Total area:  $S1 + S2 = 50 + 45 = 95 \text{ m}^2$



Bottom surface	Wall area	Total area
$D \times D = S1$	$3,14 \times D \times H = S2$	$S1 + S2 = S$

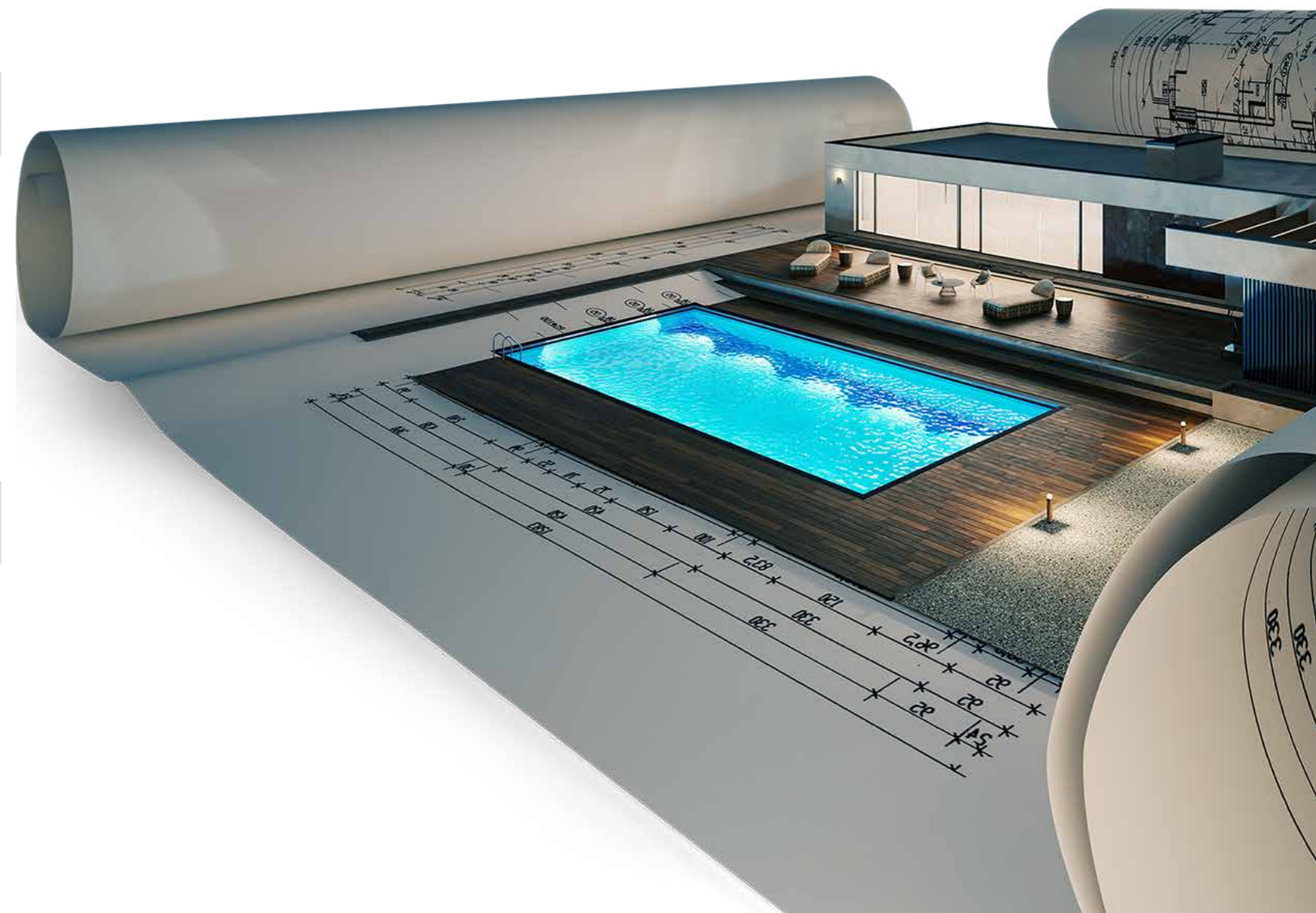
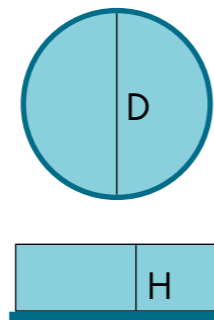
Example:

a pool with a diameter of 6 m, height of walls 1,2 m

2 Bottom surface S1:  $6 \times 6 = 36 \text{ m}^2$

2 Wall area S2:  $3,14 \times 6 \times 1,20 = 22,60 \text{ m}^2$

Total area:  $S1 + S2 = 36 + 22,60 = 58,60 \text{ m}^2$  rounded up to 59 m<sup>2</sup>





Pools and construction	11
Basin equipment	63
Water attractions	120
Filtration	197
Entrance to the swimming pool	259
Water treatment	269
Heating	308
Dehumidification	338
Cleaning	341
Swimming pool surroundings	355
Swimming pool covers	439
Fun and safety	449
Installations	451
Natural swimming pools and ponds	464
SPA and SWIM SPA bath collection	471



## Pools and construction

LINEAR SWIMMING POOLS.....	12
LED PENDANT LAMP WITH ABS.....	14
SKIMMER WITH ABS.....	14
EPS POLYSTYRENE BLOCKS.....	15
ACCESSORIES.....	18
GUTTER GRATES.....	19
SWIMMING POOL WINDOWS.....	20
COMPOSITE REINFORCEMENT.....	21
SWIMMING POOL LINERS AND ACCESSORIES.....	24
ACCESSORIES FOR ELBE FOIL LINERS.....	45
OVERVIEW OF PRODUCT CHARACTERISTICS.....	46
SWIMMING POOL LINER SAMPLERS.....	47
3D SWIMMING POOL LININGS.....	48
GALVANIZED STEEL POOL FOILING COMPONENTS.....	54
COMPONENTS FOR FOILING STAINLESS STEEL POOLS.....	55
EXTENSION CABLES.....	55
TOOLS.....	56



Każdy zestaw składa się z poniżej wymienionych elementów.

- folia basenowa PVC o grubości 0.6 mm w Colourze Adriatic Blue, mrozoodporna i stabilizowana UV
- 0.8 mm galvanised steel wall with protective coating, plastic-coated exterior
- aluminium mounting profiles for joining sheet metal
- plastic mounting profiles for liner inSteellation
- the kits do not include basin fittings or a filtration system.

Replacement liner inserts available on request.

It is possible to change the colour of the film on individual request with an extra charge.

## Round pools

can be used as an in-ground swimming pool - free-standing or fully or partially embedded in the ground.



Code	Size	Depth
UP103000-01	Ø 3.00 m	1.20 m
UP103500	Ø 3.50 m	1.20 m
UP104200-1	Ø 4.20 m	1.20 m
UP104500-01	Ø 4.50 m	1.20 m
UP105000-1	Ø 5.00 m	1.20 m
UP106000	Ø 6.00 m	1.20 m
UP103010	Ø 3.00 m	1.50 m
UP103510	Ø 3.50 m	1.50 m
UP104210	Ø 4.20 m	1.50 m
UP104510	Ø 4.50 m	1.50 m
UP105010	Ø 5.00 m	1.50 m
UP106010	Ø 6.00 m	1.50 m

## Oval pools

Due to the shape, it is necessary to completely embed the pool basin in the ground.



Code	Size	Depth
UP112010	3.00 x 5.70 m	1.50 m
UP113010	3.00 x 7.00 m	1.50 m
UP113410	3.50 x 6.20 m	1.50 m
UP113510	3.50 x 7.50 m	1.50 m
UP114210-1	4.20 x 8.20 m	1.50 m

## Eight-ball pools

can be used as an in-ground swimming pool - free-standing or fully or partially embedded in the ground.



Code	Size	Depth
501010514	3.20 x 5.25 m	1.50 m
501010517	3.60 x 6.25 m	1.50 m
501010518	4.60 x 7.25 m	1.50 m

Swimming pools with a depth of 1.20 m available on request.

## MOBILE EQUIPMENT FOR ABOVE-GROUND SWIMMING POOLS

### ABS led pendant lamp

The pendant lamp requires no interference with the pool structure - ideal for retrofitting to existing pools. A 12 V transformer and cable are included, for connection with plug, 8m long. It has a multifunctional, adjustable holder (AISI 304) for different wall technologies.

Code	Description
806471	Lamp 25 W, 1500 lumens, warm white light
806441	Lamp 25 W, 900 lumens, RGB light



### Skimmer integrated with nozzle suspended from ABS

#### Skimmer pendant EH2 cream ABS

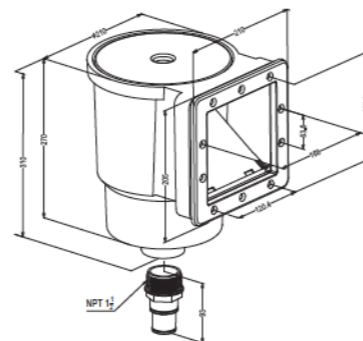
32 mm hose connection with recirculation and pool cleaning connection, ideal for existing pools

Code	Colour
10031	creamy



### Mini skimmer with ABS - Peraqua

Mini Skimmer Smart - made of white ABS, for above-ground swimming pools, with screw and gasket set.



Code	Description
78735	ABS, white

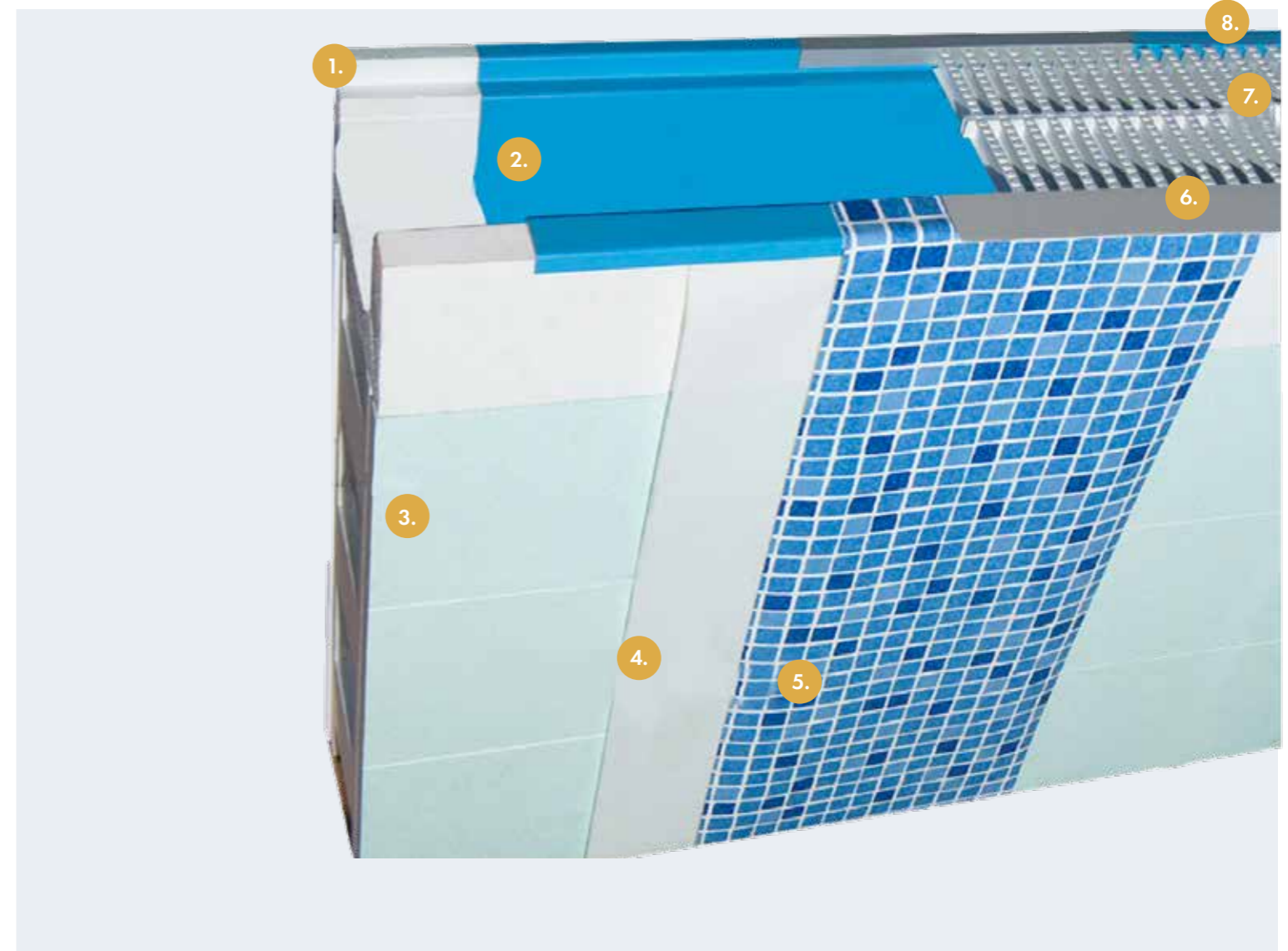
## EPS POLYSTYRENE BLOCKS

### Design under control

Poolnario polystyrene blocks are a fast and reliable swimming pool construction solution for our times. The desired working result can be achieved in a short time.

EPS or expanded polystyrene is a plastic with extraordinary properties. This raw material has high strength and excellent shock absorption, while being lightweight.

Additional advantages include dimensional stability, low absorption and very good thermal insulation, making the material directly ideal for a wide range of applications in the construction industry.



- 1. Overflow gutter block EPS
- 2. PVC-coated steel gutter insert
- 3. EPS POOLNARIO PREMIUM block
- 4. Geotextile
- 5. Swimming pool membrane
- 6. Gutter trim (internal)
- 7. ABS gutter grille
- 8. Gutter trim (external)

**Poolnario Standard blocks**

traditional swimming pool building blocks, single-density P25.



Code	Description
1110PLS00111	Poolnario Standard P25 block
1110PLS00041	End cap

**Poolnario Premium Blocks**

reinforced dual-density P25/80 blocks. They have a pressure-resistant, spotted layer on the inside wall of the pool.

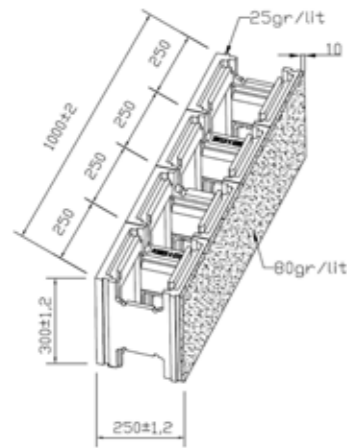


Code	Description
1110PLS00101	Poolnario PREMIUM P25/80 block
1110PLS00041	End cap



Technical data

Material	EPS
Dimensions (L x W x H)	100 x 25 x 30 cm
Poolnario Standard weight (g)	886
Poolnario Premium weight (g)	1051
Suggested quantity of concrete for 1 block (m3)	0,039



Schematic of a Poolnario Premium block

**Arch blocks**

Curved blocks available on request.

**Available radii:**

1m, 1.5m, 2m, 2.5m, 3m, 3.5m, 4m, 4.5m, 5m, 5.5m, 6m, 6.5m, 7m



**PERIPOR PREMIUM blocks**

EPS polystyrene block for the construction of swimming pools with special properties thanks to "Peripor® E"

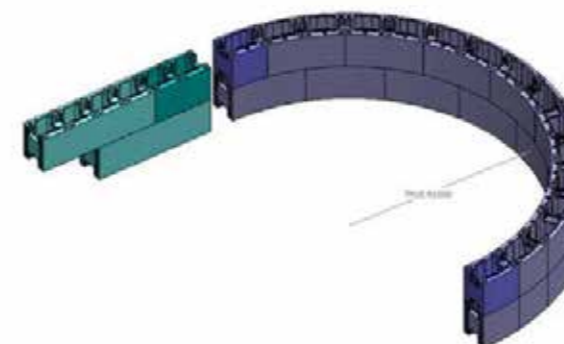


**Product information:**

- certified in accordance with the European construction standard DIN / EN 13163
- one of the best thermal insulations
- lower concrete consumption due to increased wall thickness
- does not shrink
- does not absorb moisture once installed in the ground
- fire-resistant, flammability class B1
- high stability due to thicker walls

Code	Description
13010	Peripor PREMIUM PS40 polystyrene block Dimensions 125(L) x 25(W) x 50(H) cm
13010a	Peripor PREMIUM PS40 polystyrene block Dimensions 125(L) x 25(W) x 30(H) cm
13011	End cap for PREMIUM block PS40

**Arch blocks**



compatible with block 30 cm high (Code:13010a)

Code	Radius	Dimensions (mm)	Suggested quantity per 1.5m pool
13012	150	684,5 x 278,8 x 300	40
13013	200	643,4 x 270,4 x 300	55
13014	250	721,2 x 271,4 x 300	60

- Radius 150 for a 3m pool
- Radius 200 for a 4m pool
- Radius 250 for a 5m pool

## EPS POLYSTYRENE BLOCKS

### Overflow gutter system

#### Overflow gutter block

EPS 100



#### Overflow gutter block

EPS 100



#### Overflow gutter insert

made of PVC-coated sheet



#### Finishing strip

to the overflow gutter



### Overflow gutter drains

#### Overflow gutter drain

100 x 65 mm, cover made of stainless steel cover, GW 2"



#### Overflow gutter drain

160 x 65 mm, stainless steel cover, 2" GW



#### Circular overflow gutter drain 92,5 mm,

Cover in acid-resistant steel, length 40 mm, GZ 2"



#### Circular overflow gutter drain 92,5 mm,

Cover made of acid-resistant steel, length 70 mm, GZ 2" / GW 1 1/2"



#### Circular overflow gutter drain 66 mm,

Cover made of acid-resistant steel, length 70 mm, GZ 1 1/2"



### ABS overflow gutter drains for foil pools

- Flow rate 7000 l/h
- Connection 63 mm
- Stainless steel screws included



**POLNARIO**

Code	Description
13005	straight piece 100 x 27 x 17

Code	Description
13006	corner element 102 x 27 x 17

Code	Material
13009	Galvanised steel
13109	Stainless steel

Code	Material
13012	Stainless steel
13112	Acid-resistant steel

**Hugo Lahme**  
Perfection in every element.

Code	Description
2200020	Gunmetal
2200021	Bronze

Code	Description
2210020	Gunmetal
2210021	Bronze

Code	Description
3851020	Gunmetal
3851021	Bronze

Code	Description
3851720	Gunmetal
3851721	Bronze

Code	Description
3852720	Gunmetal
3852721	Bronze

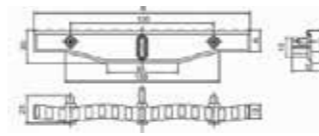
**HAYWARD**

Code  
06070000000

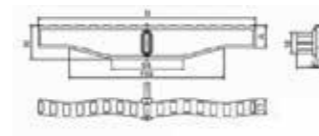
## OVERFLOW GUTTER GRATINGS

**HAYWARD**

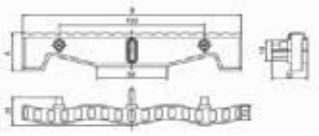
Model 20 straight



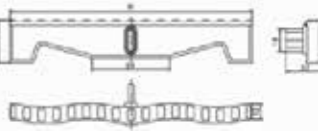
Model 20 arched



Model 34 straight



Model 34 arched



Code	Model	Height A [mm]	Width B [mm]	Modules*	Volume [m3]
061010202000	Straight	20	195 (Fits to the Poolnario gutter)	378	0.053
061010252000	Straight	20	245	324	0.053
061010302000	Straight	20	295	297	0.053
061011202000	Arched	20	195 (Fits to the Poolnario gutter)	378	0.053
061011252000	Arched	20	245	324	0.053
061011302000	Arched	20	295	297	0.053
061010203400	Straight	34	195 (Fits to the Poolnario gutter)	351	0.053
061010253400	Straight	34	245	297	0.053
061010303400	Straight	34	295	270	0.053
061011203400	Arched	34	195 (Fits to the Poolnario gutter)	351	0.053
061011253400	Arched	34	245	297	0.053
061011303400	Arched	34	295	270	0.053

\* 55 modules = 1 m



## SWIMMING POOL WINDOWS

VITROFLEX AQ is a material with high transparency and good impact resistance. Specially designed for the construction of elements containing water, such as aquariums, swimming pools, fountains and fish tanks. It offers high transparency, excellent optical quality in all thicknesses and dimensions. It is the ideal Material for applications where good transparency is important.

- High transparency.
- Low optical distortion due to high purity.
- High dimensional stability due to heat stabilisation process.
- The developed thickness (20-300mm) supports high hydraulic pressures.
- Wide range of formats available.
- Can be thermoformed for special shapes.
- Highly weather-resistant.
- Impact resistance.
- High resistance to ageing.
- High thermal and acoustic resistance.

Any size and shape is available on request. The technical department can assist in developing any design for performance, resistance, aesthetics and cost optimisation.

Width mm	Height mm
2050	1250
3040	2040
4050	1250
4050	2050
4050	3050
5050	3050
6050	2050
6050	3050



Realization in hard-to-reach places



## COMPOSITE REINFORCEMENT

Comparison - composite or steel

Composite reinforcement is an innovative product used in the construction industry as an excellent alternative to traditional steel reinforcement. Solid concrete reinforcement that will last for decades without the risk of corrosion or other damage - a 21st century solution!

Fibreglass reinforcing bars are mainly characterised by their higher strength and lower price compared to standard metal bars. All the advantages and benefits of composite reinforcement can be found in the table below.

Material	Steel KL-AIII	Glass fibre impregnated with epoxy resin
Tensile strength (MPa)	500	1250
Modulus of elasticity (MPa)	200000	55000
Susceptibility to deformation	elastic-plastic	linear-elastic
Coefficient of linear expansion %	26	2,2
Thermal conductivity coefficient W/(mK)	46	0,35
Density kg/m3- Specific gravity N/m3	7880	1890
Corrosion resistance	corrodes	completely corrosion-resistant
Electrical conductivity	conducts electricity	dielectric
Thermal conductivity	high	low
Manufactured diameters	6- 80	4- 30
Commercial lengths	straight bars 6 and 12 mb	to order- diameters up to 11 mm in 50-100 mb coils
Impact on electromagnetic interference	disrupts the flow of waves	transparent to electromagnetic waves electromagnetic waves
Eco-friendliness	non-environmental	environmentally friendly, easy to dispose of
Sustainability	in accordance with building standards	life expectancy- min. 100 years



**Reinforcement mesh** - reinforced with glass fibre

Composite meshes are distinguished by their high strength. Already at the production stage, the rods are woven into the mesh structure and then bonded with epoxy resin. Reinforcement meshes are used in the construction industry primarily to reinforce reinforced concrete elements - screeds, floors, walls, floors, as well as in structural elements. The use of composite mesh is intended to increase the strength of the structure and the substrate, to provide anti-shrink resistance and possibly to protect the underfloor heating.

**Product information:**

- The nets are made of composite rods with diameters ranging from 2.5 to 8 mm, bonded into meshes of 50 to 150 mm.
- Nets with a bar diameter of 2.5 mm are produced in rolls. Higher diameters are supplied in sheets.
- Composite mesh is designed for use in concrete structures, instead of traditional steel.

Type of net	Ø	Ø	Ø	Ø	Ø
Steel	4-4,5	5	6	8-10	12
Composite	2,5	3	4	6	8



**Composite bars** - reinforced with glass fibre

Composite concrete reinforcing bars are an innovative product that saves time and space on the construction site. Bars in diameters 4-11 mm are rolled into coils in 50 and 100 mb lengths. Higher diameters are supplied in Straightch sections.

**Product information:**

- many times lighter and stronger than traditional steel
- completely corrosion- and chemical-resistant
- no electrical conductivity
- transparent to radio waves
- high adhesion to concrete
- convenient to install
- easy to transport
- long life



STEEL BARS CL. A III			EPOXY COMPOSITE BARS		
fi (mm)	weight (g/1mb)	durability n	fi (mm)	weight (g/1mb)	durability n
6	222	9905	4	33	10230
8	395	17605	6	58	23120
10	677	27475	7	73	31290
12	888	39585	8	90	41320
14	1210	53900	10	135	63720
16	1580	70350	11	181	77138
18	2000	88900	12	231	93120
20	2470	109900	14	286	124880
22	2980	133000	16	362	162888
25	3850	171850	18	470	206980



## CLASSIC collection (SBG 150)

### Reinforced swimming pool liner

Classic is a reinforced liner that is used in new construction and pool renovation.

It is suitable for covering: tiles, concrete, metal, plastic or wood. Classic is suitable for

Classic is suitable for use on any suitable substrate that must be protected with a geotextile prior to installation and welding.

- thickness 1.5mm
- Roll length 25m
- rolls per pallet: 8
- Permissible water temp: 32°C



**WE INVITE YOU TO BUILD THE POOL OF YOUR DREAMS!**

Scan the code and go to the pool liner configurator.



### Classic White



Code	Width
2000045	1.65 m
2000047	2.00 m

### Classic Turquoise



Code	Width
2000057	1.65 m
2000058	2.00 m

### Classic Light Grey



Code	Width
2000073	1.65 m
2000072	2.00 m

### Classic Adriatic Blue



Code	Width
2000061	1.65 m
2000063	2.00 m

### Classic Sand



Code	Width
2000405	1.65 m
2000406	2.00 m

### Classic Dark Grey



Code	Width
2000529	1.65 m
2000528	2.00 m

### Classic Light Blue



Code	Width
2000403	1.65 m
2000404	2.00 m

### Classic Black



Code	Width
2000579	1.65 m

# SUPRA Collection

Reinforced swimming pool liner with acrylic surface

SUPRA is a reinforced carpet with an acrylic surface that increases its lifespan by providing protection against stains, discolouration and UV radiation.



- Thickness 1.5mm
- Roll length 25m
- rolls per pallet: 8
- Permissible water temp: 33°C

## SUPRA White



Code	Width
2000049	1.65 m
2000048	2.00 m

## SUPRA Light Blue



Code	Width
2000052	1.65 m
2000053	2.00 m

## SUPRA Light Grey



Code	Width
2000961	1.65 m
2001074	2.00 m

## SUPRA Adriatic Blue



Code	Width
2000410	1.65 m
2000409	2.00 m

## SUPRA Sand



Code	Width
2000051	1.65 m
2000054	2.00 m

## SUPRA Dark Grey



Code	Width
2000786	1.65 m
2000910	2.00 m

## SUPRA Night Blue



Code	Width
2001340	1.65 m

## SUPRA Dove Blue



Code	Width
2001338	1.65 m



# SUPRA collection with imprint

Reinforced swimming pool liner with acrylic surface

SUPRA is a reinforced carpet with an acrylic surface that increases its lifespan by providing protection against stains, discolouration and UV radiation.

- Permissible water temp: 33°C

## SUPRA Blue Mosaic



Code	Width
2001177	1.65 m

## SUPRA Grey Mosaic



Code	Width
2001190	1.65 m

## SUPRA Blue Marble

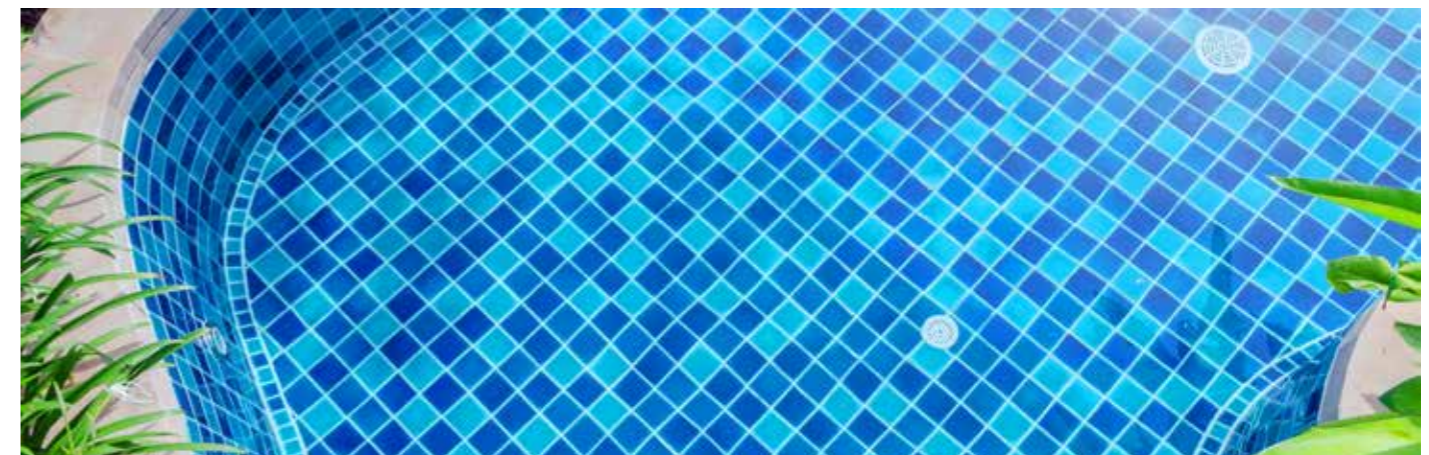


Code	Width
2001191	1.65 m

## SUPRA Azur Mosaic



Code	Width
2001195	1.65 m



## CLASSIC ANTI-SLIP collection (STG 200)

### Non-slip swimming pool liner

The Classic anti-slip liner is designed to protect bathers from slipping and possibly falling in the most dangerous areas such as stairs. For this purpose, the carpet has a special anti-slip profile.

- Thickness 1.9mm
- Roll length 10m
- Width 1.65m
- Rolls per pallet: 8
- Permissible temp. of water: 32°C

### Classic Anti-slip White



Code	Width
2000765	1.65 m

### Classic Anti-slip Adriatic Blue



Code	Width
2000772	1.65 m

### Classic Anti-slip Sand



Code	Width
2000766	1.65 m

### Classic Anti-slip Turquoise



Code	Width
2000769	1.65 m

### Classic Anti-slip Light Grey



Code	Width
2000767	1.65 m

### Classic Anti-slip Dark Grey



Code	Width
2000771	1.65 m

### Classic Anti-slip Light Blue



Code	Width
2000768	1.65 m

### Classic Anti-slip Black



Code	Width
2000770	1.65 m

### Classic Anti-slip Dove Blue



**New**

Code	Width
2001339	1.65 m

### Classic Anti-slip Night Blue



**New**

Code	Width
2001342	1.65 m





## PEARL collection

### Pearl-printed carpet

Pearl is a line of printed reinforced liners that captivates with a unique pearlescent glow, making the pool unique.

- Thickness 1.6mm
- Roll length 25m
- Width 1.65m
- 8 rolls on a pallet
- Permissible water temp: 33°C



### PEARL Sand



Code	Width
2000984	1.65 m

### PEARL Blue



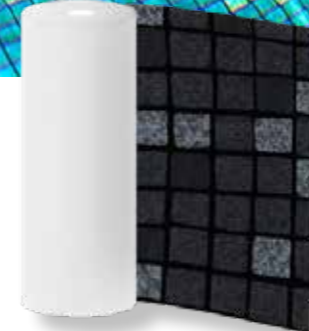
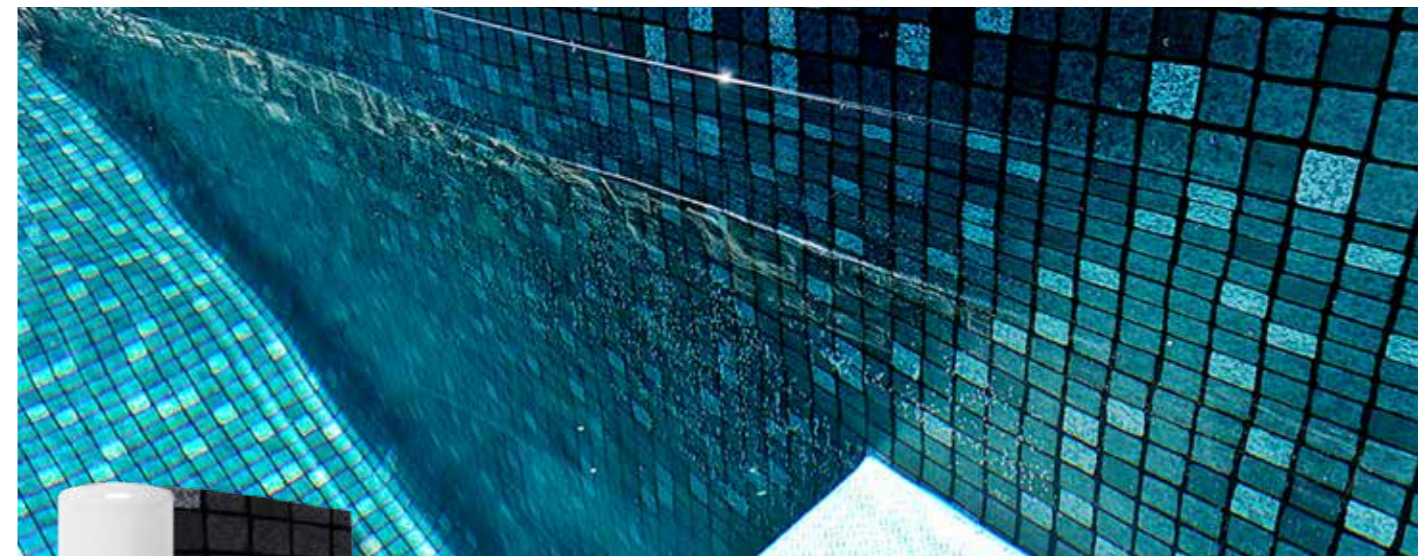
Code	Width
2000777	1.65 m

PEARL **Black**



Code	Width
2000776	1.65 m

PEARL **Silver Black**



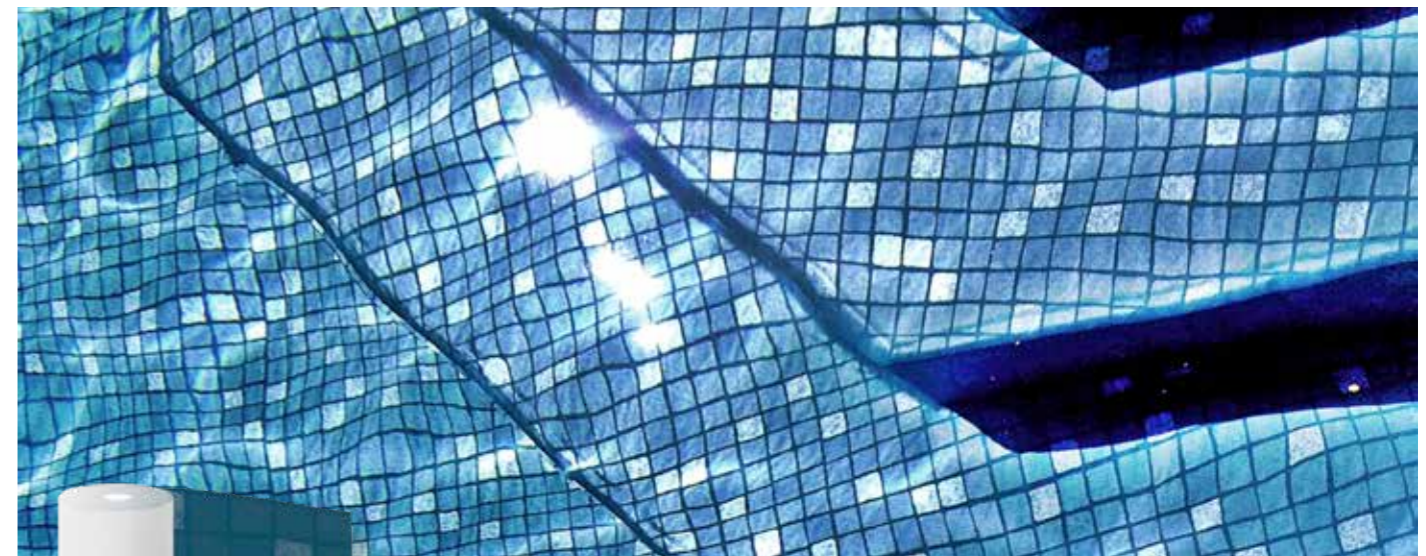
Code	Width
2001007	1.65 m

PEARL **White**



Code	Width
2000787	1.65 m

PEARL **Silver Lagoon**



Code	Width
2000939	1.65 m



## ELITE Collection

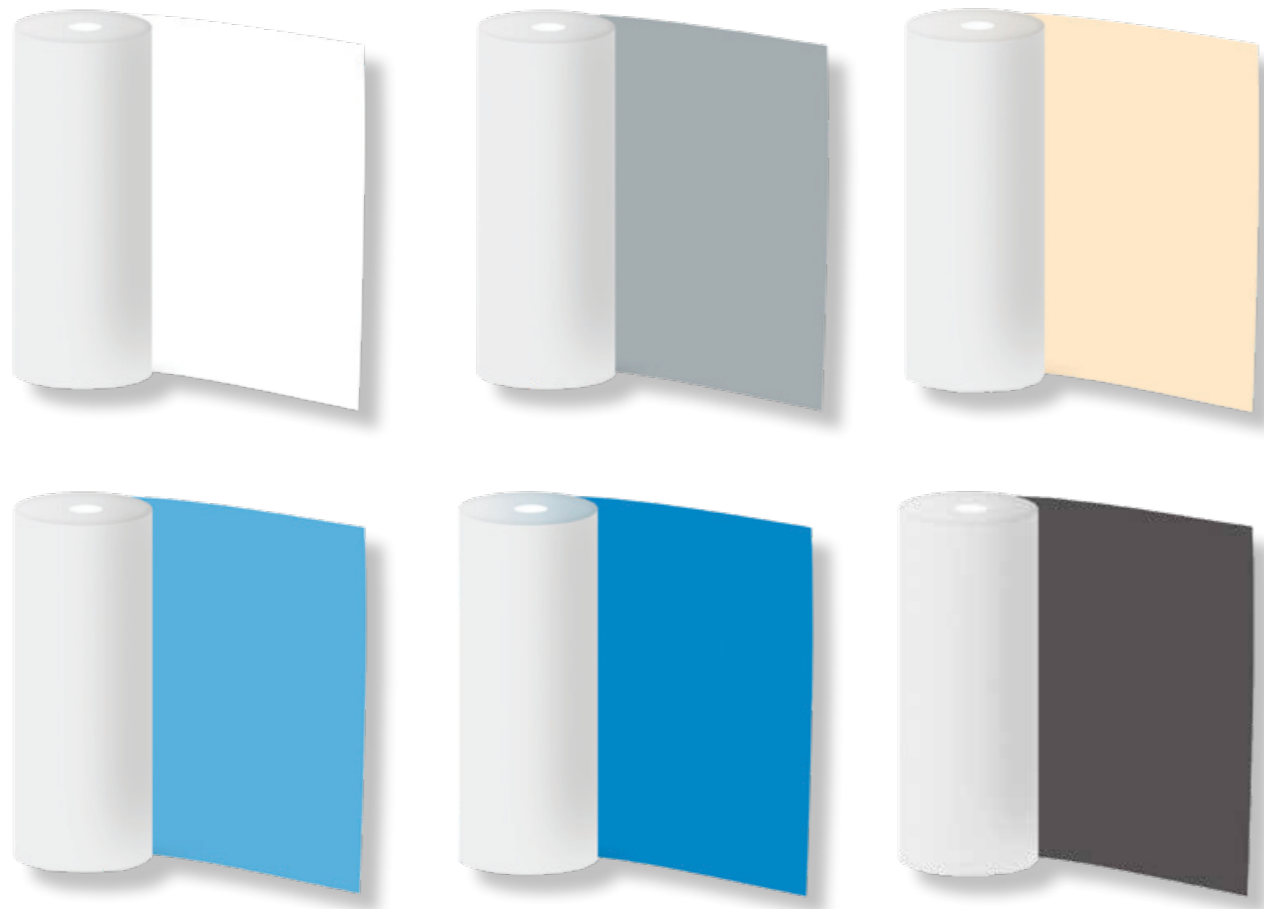
### Phthalate-free lining

ELITE® is the first phthalate-free pool liner on the market. It has the highest protection against discolouration and stains.

- Thickness 1.5mm
- Roll length 25m
- Width 1.65/2.00m
- 8 rolls on a pallet
- Permissible water temp: 35°C

### ELITE® Anti-slip

- Thickness 1.9mm
- Roll length 10m
- Width 1.65m
- 15 rolls on a pallet
- Permissible water temp: 35°C



### ELITE® Arctic White



Code	Width
2001071	1.65 m
2001117	2.00 m
Anti-slip	
2001079	1.65 m

### ELITE® Grey Rock



Code	Width
2001073	1.65 m
2001121	2.00 m
Anti-slip	
2001080	1.65 m

ELITE® Sand Beach



Code	Width
2001070	1.65 m
2001120	2.00 m
<b>Anti-slip</b>	
2001078	1.65 m

ELITE® Deep Sea



Code	Width
2001068	1.65 m
2001119	2.00 m
<b>Anti-slip</b>	
2001076	1.65 m

ELITE® Blue Sky



Code	Width
2001069	1.65 m
2001118	2.00 m
<b>Anti-slip</b>	
2001077	1.65 m

ELITE® Black Stone



Code	Width
2001122	1.65 m
2001123	2.00 m
<b>Anti-slip</b>	
2001124	1.65 m



## ISLAND DREAMS collection

### Carpet with 3D structured surface

Island Dreams is characterised by its unique texture, which imitates different beaches. Its uniqueness can also be felt to the touch. It has anti-slip properties, making it ideal for lining on steps or in drop-off areas.

- Thickness 2.0mm
- Roll length 20m
- Width 1.60m
- 8 rolls on a pallet
- Permissible water temp: 33°C



### ISLAND Aruba



Code	Width
2001175	1.60 m

### ISLAND Maui



Code	Width
2001174	1.60 m

ISLAND **Fiji**



Code	Width
2001180	1.60 m

ISLAND **Santorini**



Code	Width
2001176	1.60 m



**PURE** collection

**The colours, shapes and textures of natural stone.**

The textured 3D surface harmoniously blends into the natural environment of the pool, and the unique patterns blend perfectly with its superior technical properties for the purest swimming pleasure.

**15 YEAR** GUARANTEE ON WATERPROOFING

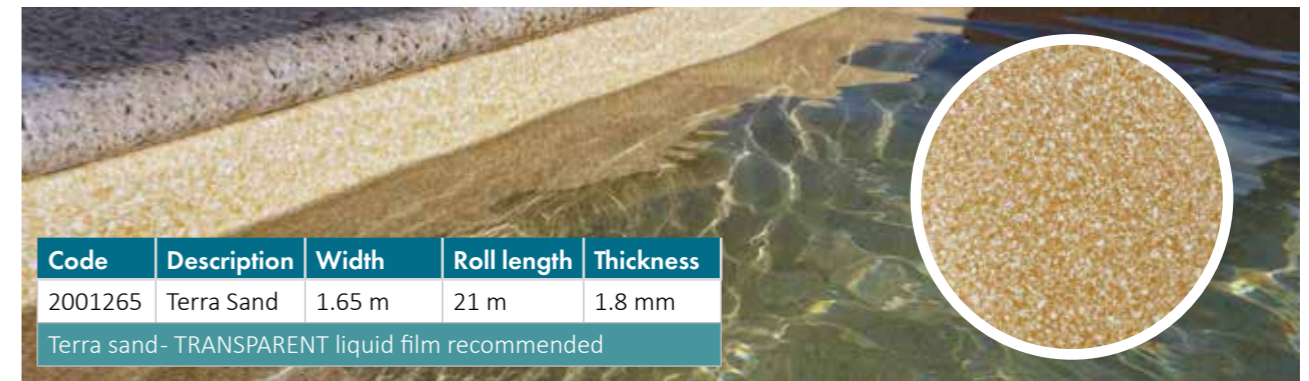
EN 71-3 CHILD FRIENDLY

RELEASE OF A SMALL AMOUNT OF SMOKE DURING WELDING

ANTI-SLIP CLASS C

- Thickness 1.8mm
- Roll length 21 m
- Width 1.65m
- 6 rolls per pallet

PURE **Terra Sand**



Code	Description	Width	Roll length	Thickness
2001265	Terra Sand	1.65 m	21 m	1.8 mm

Terra sand- TRANSPARENT liquid film recommended

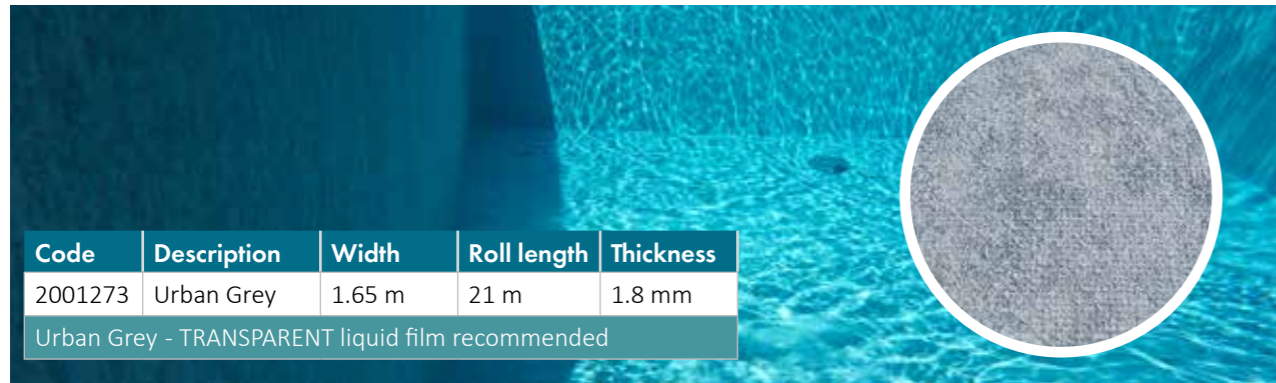
PURE **Ocean Grey**



Code	Description	Width	Roll length	Thickness
2001266	Ocean Grey	1.65 m	21 m	1.8 mm

Ocean Grey- TRANSPARENT liquid film recommended

PURE **Urban Grey**



Code	Description	Width	Roll length	Thickness
2001273	Urban Grey	1.65 m	21 m	1.8 mm
Urban Grey - TRANSPARENT liquid film recommended				

PURE **Mountain Blue** **New**



Code	Description	Width	Roll length	Thickness
2001328	Mountain Blue	1.65 m	21 m	1.8 mm
Mountain Blue - TRANSPARENT liquid film recommended				

PURE **Indian Marble** **New**



Code	Description	Width	Roll length	Thickness
2001344	Indian Marble	1.65 m	21 m	1.8 mm
Indian Marble - TRANSPARENT liquid film recommended				

PURE **Sand Stone** **New**



Code	Description	Width	Roll length	Thickness
2001347	Sand Stone	1.65 m	21 m	1.8 mm
Sand Stone - TRANSPARENT liquid film recommended				



**15 YEAR** GUARANTEE ON WATERPROOFING

EN 71-3 CHILD FRIENDLY

RELEASE OF A SMALL AMOUNT OF SMOKE DURING WELDING

ANTI-SLIP CLASS C

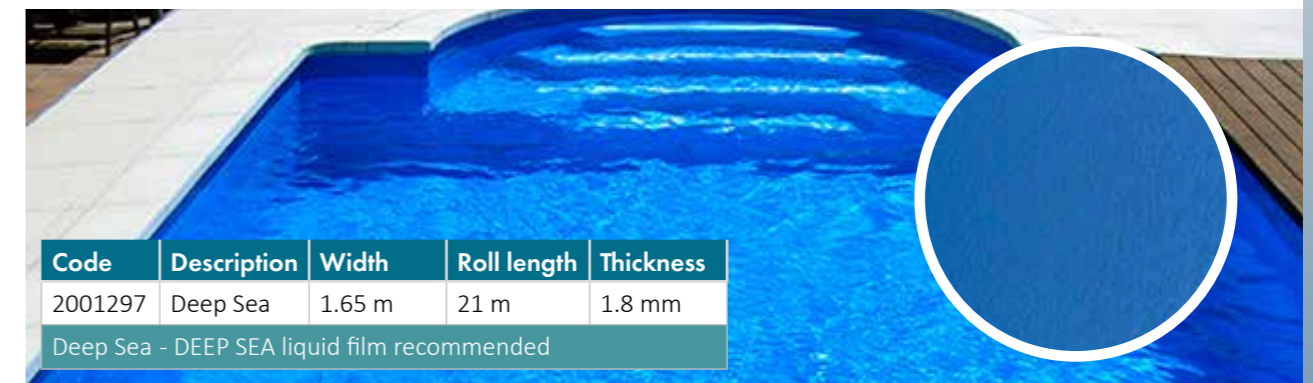
**ELITE motion** collection

With its soft 3D structure, this phthalate-free swimming pool film provides a great swimming experience. The film meets the requirements for slip protection (in accordance with EN16165) and can therefore be used to cover the entire surface of the pool.

- Thickness 1.8mm
- Roll length 21m
- Width 1.65m
- 6 rolls per pallet

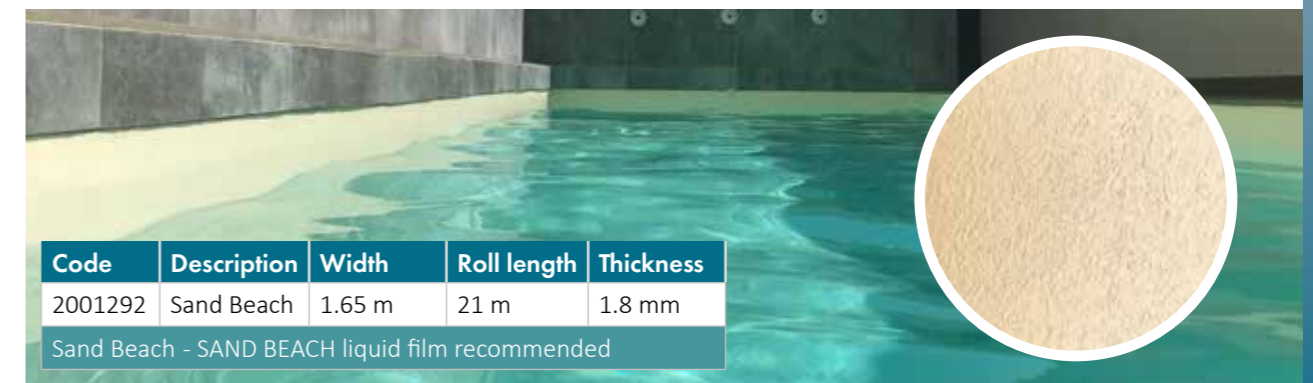


ELITE® motion **Deep Sea**



Code	Description	Width	Roll length	Thickness
2001297	Deep Sea	1.65 m	21 m	1.8 mm
Deep Sea - DEEP SEA liquid film recommended				

ELITE® motion **Sand Beach**



Code	Description	Width	Roll length	Thickness
2001292	Sand Beach	1.65 m	21 m	1.8 mm
Sand Beach - SAND BEACH liquid film recommended				

NEW

NEW

ELITE® motion **Blue Sky**



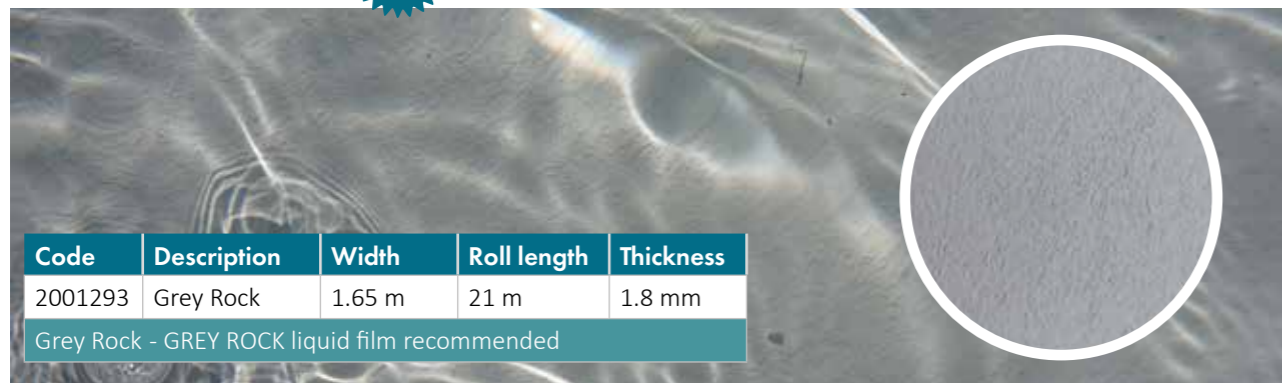
Code	Description	Width	Roll length	Thickness
2001298	Blue Sky	1.65 m	21 m	1.8 mm
Blue Sky - BLUE SKY liquid film recommended				

ELITE® motion **Arctic White**



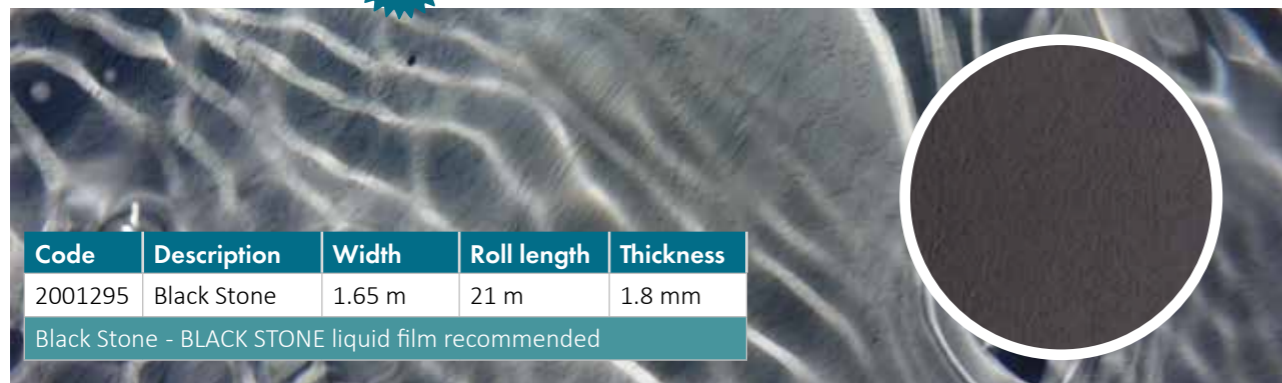
Code	Description	Width	Roll length	Thickness
2001294	Arctic White	1.65 m	21 m	1.8 mm
Arctic White - ARCTIC WHITE liquid film recommended				

ELITE® motion **Grey Rock**



Code	Description	Width	Roll length	Thickness
2001293	Grey Rock	1.65 m	21 m	1.8 mm
Grey Rock - GREY ROCK liquid film recommended				

ELITE® motion **Black Stone**



Code	Description	Width	Roll length	Thickness
2001295	Black Stone	1.65 m	21 m	1.8 mm
Black Stone - BLACK STONE liquid film recommended				

**NEW**

## ACCESSORIES FOR FOIL FLOORING FROM ELBE

### Liquid film

- capacity: 950ml/can
- packaging: 6 cans per carton



Suitable for: CLASSIC, SUPRA, ISLAND DREAMS, PEARL, pure

Colour	Sand	Light Blue	Adriatic Blue	Dove Blue	Night Blue	Navy Blue
<b>Art. no.*</b>	<b>2000858</b>	<b>2000864</b>	<b>2000862</b>	<b>2001345</b>	<b>2001346</b>	<b>2000863</b>
Art. no.	2100056	2100053	2100048			2100246

Kolor	Turquoise	Lagoon
<b>Art. no.*</b>	<b>2000859</b>	<b>2000957</b>
Art. no.	2100049	2100274

Kolor	Light Grey	Dark Grey	Black	White	Transparent
<b>Art. no.*</b>	<b>2000865</b>	<b>2000866</b>	<b>2000867</b>	<b>2000857</b>	<b>2000856</b>
Art. no.	2100046	2100154	2100190	2100054	2100055

Suitable for: elite®

Kolor	Arctic White	Sand Beach	Blue Sky	Deep Sea	Grey Rock	Black Stone
<b>Art. no.*</b>	<b>2001090</b>	<b>2001091</b>	<b>2001089</b>	<b>2001088</b>	<b>2001092</b>	<b>2001132</b>
Art. no.	2100393	2100394	2100395	2100396	2100403	2100536

\*Item numbers have changed, please use the new item numbers when ordering.

### Mounting rivets

- 4.8 x 35 mm;
- 200 pack.



**Code**  
15006

### Köralit F 143 contact adhesive

- capacity: 700g
- packaging: 6 cans per carton



**Code**  
2100042

### Bostik contact adhesive 1782 for soft and hard PVC

- capacity: 1l

**Code**  
30811494

- capacity: 5l

**Code**  
30022060

### Polyester geotextile



Code	Dimensions	Grammage
2100358	1.5 x 50m	300g/m <sup>2</sup> (1.5 mm)
2100061	2 x 50m	300g/m <sup>2</sup> (1.5 mm)

### Antimicrobial polyester geotextile



Code	Dimensions	Grammage
2001349	1.5 x 50m	300g/m <sup>2</sup> (1.5 mm)
2001348	2 x 50m	300g/m <sup>2</sup> (1.5 mm)

### Glue for geotextiles

- capacity: 5kg



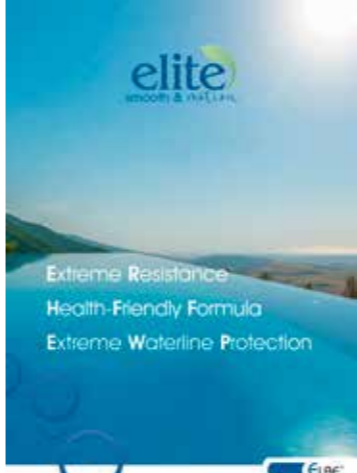
**Code**  
2100397

## Overview of product properties

PROPERTIES	elite smooth	elite motion	PEARL	ISLAND DREAMS	pure	SUPRA	SUPRA PRINT	NON-SLIP	CLASSIC
<b>TECHNICAL FEATURES</b>									
Adaptation to public swimming pools		✓ best option		✓		✓		✓	
Production in accordance with the European pool standard		✓	✓	✓	✓	✓	✓	✓	✓
UV resistance		++++	+++	+++	+++	+++	+++	++	++
Resistance to chlorine		++++	++	++	++	++	++	+	+
Scratch resistance		+++	++	++	++	++	+++	+	+
Anti-slip type		✓	✓	✓	✓			✓	
<b>HEALTH &amp; ENVIRONMENT</b>									
EN 71-3 – child-friendly		✓	✓	✓	✓	✓	✓	✓	✓
Phthalate-free - newborn and child-friendly		✓							
Release of a small amount of smoke during welding		✓	✓	✓	✓	✓	✓	✓	✓
<b>SURFACE &amp; CLEANING</b>									
Easy to clean		++++	++	++	++	++	++	+	+
Stain resistance		++++	++	++	++	++	++	+	+
Pattern printing			✓	✓	✓		✓		
3D surface structure			✓	✓	✓			✓	
<b>GUARANTEE</b>									
Recommended maximum water temperature		35 °C	33 °C	33 °C	33 °C	33 °C	33 °C	32 °C	32 °C
For tightness		15 years							
Protection against stains		5 years							
Protection against the effects of chlorine		5 years							


For exact technical data on the individual products, please refer to the product sheet.

## SWIMMING POOL LINER SAMPLERS




**Elite®**

Code #2200014




**Elite®**

Code #2200015



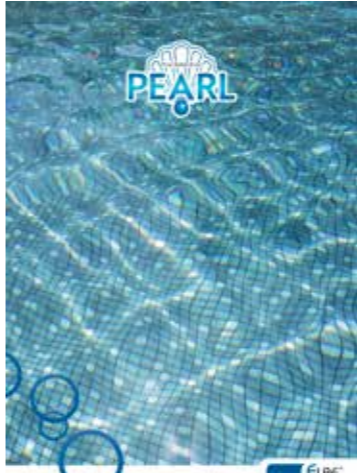
**Island Dreams**

Code #2200015




**Pure**

Code #2200019




**Pearl**

Code #2200016




**Product catalog**

Code #2200008



**Commercial brochure**

Code #2200038



**Consumer brochure**

Code #2200037

### Membrane Collections



**Classic**  
Code #1369



**Supra**  
Code #1368

## 3D SWIMMING POOL LININGS



### Larch collection

- Chlorine resistant - 5 year guarantee
- Stain resistant - 5 year guarantee
- Waterproof - 12 year guarantee
- Warranty up to 32°C
- NF15836-2 certificate

Larch Fresco



Code	Description	Width (m)	Length (m)	Thickness (mm)	Number of rolls per pallet
327077967001	Larch Fresco carpet	1.65	25	1.7	12
567077967002	Anti-slip	1.65	5, 10, 20, 25	1.7	
0462776	Liquid PVC				

Larch Nature



Code	Description	Width (m)	Length (m)	Thickness (mm)	Number of rolls per pallet
327077968001	Wykładzina Larch Nature	1.65	25	1.7	12
567077968002	Anti-slip	1.65	5, 10, 20, 25	1.7	
0462777	Liquid PVC				

## Stone Flex Collection



- Chlorine resistant - 5 year guarantee
- Stain resistant - 5 year guarantee
- Waterproof - 15 year guarantee
- Warranty up to 35°C
- NF15836-2 certificate
- Anti-slip properties
- 3D printing

Stone Flex Ivory



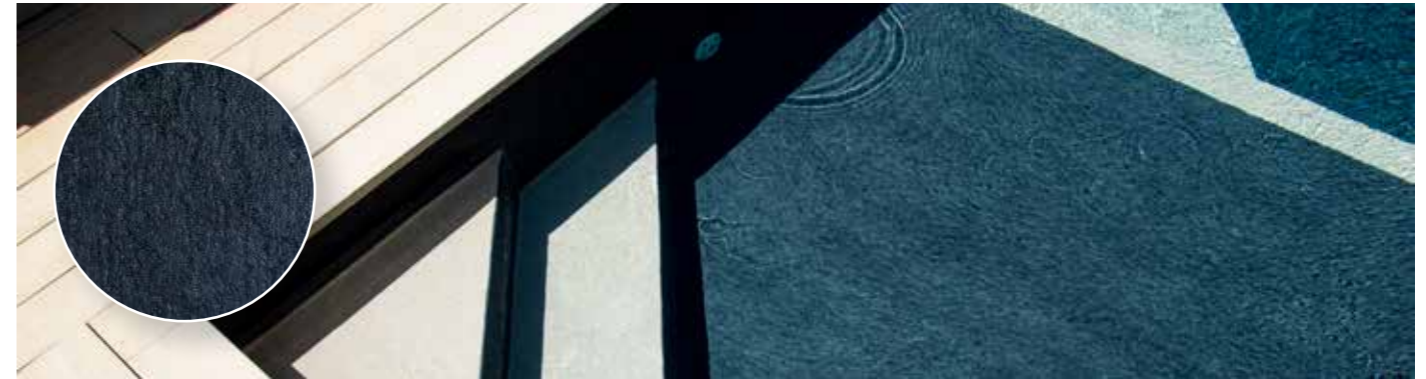
Code	Description	Width (m)	Length (m)	Thickness (mm)	Number of rolls per pallet
327227987001	Flex Ivory carpet	1.65	25	1.7	12
0462779	Liquid PVC				

Stone Flex Slate



Code	Description	Width (m)	Length (m)	Thickness (mm)	Number of rolls per pallet
327227948001	Flex Slate carpet	1.65	25	1.7	12
0462728	Liquid PVC				

Stone Flex Bazelet



Code	Description	Width (m)	Length (m)	Thickness (mm)	Number of rolls per pallet
327274343002	Flex Bazelet carpet	1.65	25	1.7	12
0462723	Liquid PVC				

Stone Flex Sand



Code	Description	Width (m)	Length (m)	Thickness (mm)	Number of rolls per pallet
327274340003	Flex Sand Carpet	1.65	25	1.7	12
0462724	Liquid PVC				

Stone Flex Pearl



Code	Description	Width (m)	Length (m)	Thickness (mm)	Number of rolls per pallet
327274344002	Flex Pearl carpet	1.65	25	1.7	12
0462770	Liquid PVC				

Stone Flex Concrete



Code	Description	Width (m)	Length (m)	Thickness (mm)	Number of rolls per pallet
327274348002	Flex Concrete flooring	1.65	25	1.7	12
0462775	Liquid PVC				

Kolekcja Matrix 3D

- Chlorine resistant - 5 year guarantee
- Stain resistant - 5 year guarantee
- Waterproof - 15 year guarantee
- Warranty up to 35°C
- NF15836-2 certificate
- Anti-slip properties
- 3D printing

Width (mm)	Length (mm)	Number of rolls per pallet
1650	25	12

Matrix Silver



Code	Description	Width (m)	Length (m)	Thickness (mm)	Number of rolls per pallet
647992001	Matrix Silver carpet	1.65	25	1.7	12
0462783	Liquid PVC				

Matrix Blue



Code	Description	Width (m)	Length (m)	Thickness (mm)	Number of rolls per pallet
647996001	Matrix Blue carpet	1.65	25	1.7	12
	Liquid PVC				

Matrix Dune



Code	Description	Width (m)	Length (m)	Thickness (mm)	Number of rolls per pallet
647820001	Matrix Dune carpet	1.65	25	1.7	12
0462773	Liquid PVC				

Matrix Black Blue



Code	Description	Width (m)	Length (m)	Thickness (mm)	Number of rolls per pallet
647821001	Matrix Black Blue carpet	1.65	25	1.7	12
0462783	Liquid PVC				

### Kolekcja Classic 3D blue

3D blue 8283



Code	Description	Width (m)	Length (m)	Thickness (mm)	Number of rolls per pallet
328399015001	3d blue 8283 carpet	1.65	25	1.5	12
568398283001	Anti-slip	1.65	5, 10, 20, 25	1.5	12
0462708	Liquid PVC				

3D blue 8286



Code	Description	Width (m)	Length (m)	Thickness (mm)	Number of rolls per pallet
328399015002	3d blue 8286 carpet	1.65	25	1.5	12
568399015004	Anti-slip	1.65	5, 10, 20, 25	1.5	12
0462711	Liquid PVC				

### Stonetile collection

- Chlorine resistant - 5 year guarantee
- Stain resistant - 5 year guarantee
- Waterproof - 15 year guarantee
- Gwarancja do 32°C
- NF15836-2 certificate
- Anti-slip properties
- 3D printing

Width (mm)	Length (mm)	Number of rolls per pallet
1650	25	12

Elegance



Code	Description	Width (m)	Length (m)	Thickness (mm)	Number of rolls per pallet
327198042001	Stonetile Elegance carpet	1.65	25	1.7	12
0462788	Liquid PVC				

Golden



Code	Description	Width (m)	Length (m)	Thickness (mm)	Number of rolls per pallet
32719804400	Stonetile Golden carpet	1.65	25	1.7	12
0462787	Liquid PVC				

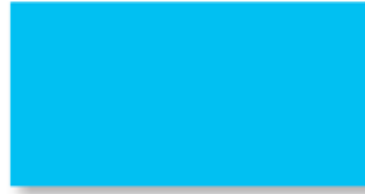
Grey



Code	Description	Width (m)	Length (m)	Thickness (mm)	Number of rolls per pallet
327198043001	Stonetile Grey carpet	1.65	25	1.7	12
0462789	Liquid PVC				

## GALVANIZED STEEL POOL FOILING COMPONENTS

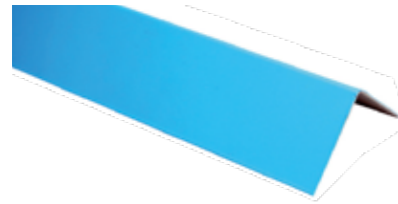
Coated sheet- PVC 2x1 m



Pallet of sheet metal coated 2x1 m; 50 pcs.

Code	Collective packaging
15001	50 pcs.

PVC-coated angle bracket - external, 2 m long

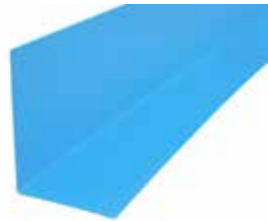


When ordering, please specify the chosen option from those available below:

- external 50 x 20 mm
- external 60 x 30 mm
- external 70 x 30 mm
- external 80 x 20 mm
- external 50 x 50 mm

Code
15003W

PVC-coated angle bracket - internal, 2 m long



When ordering, please specify the chosen option from those available below:

- internal 50 x 50 mm
- internal 70 x 30 mm

Code
15003

Notched angle - 2 m long



Purpose:  
Rounded elements, roman staircase

Code
15004

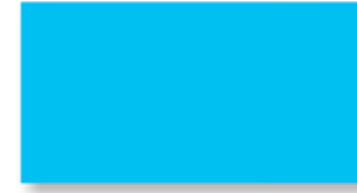
Flat iron - 5cm wide x 2 m long



Code
15005

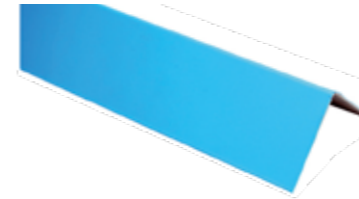
## COMPONENTS FOR FOILING STAINLESS STEEL BASINS V2A (ASI 304)

Stainless steel sheet 2x1 m



Code	Collective packaging
15101	50 pcs.

Stainless steel coated angle - 2 m long



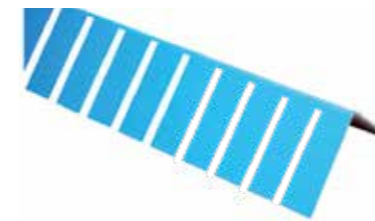
When ordering, please specify the option of your choice from the following available options

- internal 50 x 50 mm
- internal 50 x 20 mm
- external 50 x 50 mm
- external 60 x 30 mm
- external 70 x 30 mm

Code
15103

Angle bar can be made to any size. Waiting time determined individually.

Stainless steel notched angle - 2 m long



Code
15104

Stainless steel flat bar- 5cm wide x 2 m long



Code
15105

## EXTENSION CORDS



HEAVY LIN extension cable, blue



Code	Dimension
W-99247	3 x 1,5 mm <sup>2</sup> , 20lm
W-99283	3 x 2,5 mm <sup>2</sup> , 50lm

## TOOLS

### Liquid film applicator - precise



Code	Capacity
WIT93593	125 ml
WIT93793	250 ml
WIT93993	500 ml
WIT94193	1000 ml

### Liquid film applicator - classic



Code	Capacity
WIT132593	250 ml
WIT132693	500 ml
WIT132793	1000 ml

### Hook - film seal quality tester



Code
15008

### Angle meter



Right angle 300 x 700 mm

Code
15007

### ABS submersible



With depth gauge, stainless steel accessories

Code
15009

## TOOLS

Complete range on request

@

LEISTER

### Hand welding machines TRIAC

Lightweight, vibration-free, high airflow and easy maintenance guarantee efficient and trouble-free operation in all conditions. TRIAC ST model dedicated as an entry-level hand-held welding machine for pool liners.

- temperature adjustable by potentiometer
- automatic drive interlock when brushes are worn out
- effective protection of the heater against overheating
- suitable for use in building conditions
- transport case included



TRIAC AT overview photo

Code	Description
141.314	TRIAC AT
141.227	TRIAC ST

Specification	u.m.	TRIAC AT	TRIAC ST
Voltage	V~	230	230
Power	W	1600	1600
Temperature	°C	40-620	40-700
Air flow	l/min	120-240	240
Dimensions L x W (handle Ø)	mm	335 x 90 (56)	336 x 90 (56)
Outlet pipe Ø	mm	32	31.5
Weight	kg	1.0	1.0
Mark of conformity		CE	CCA
Protection class		II	II
Display		Yes	No

### Slotted nozzle 20 mm, Ø 32 mm



Code
C 107.123

### Pressure roller bearing - 30 mm



Code
C 130.146

### Brass pressure roller



Code
C 106.972

### Weld tester



Code
C 138.314

### Multi-purpose shears Leister - 260 mm



Code
C 157.544

### Brass brush



Code
C 116.789R

### Hand welding machine WELDY Energy HT1600

A versatile and practical hot air blower. The Energy HT 1600 is equipped with a heating element with an output of 1550W and infinitely variable temperature control over the full range.

- temperature control up to 700°C
- ceramic heating element
- ergonomic handle
- dust filter



Specification		
Voltage	V~	230
Power	W	1600
Temperature	°C	40-700
Air flow	l/min	240
Static pressure	Pa	2600
Dimensions L x W (handle Ø)	mm	346 x 101 (59)
Outlet pipe Ø	mm	31.5
Weight	kg	1.0
Mark of conformity		CE
Protection class II		□

#### Included:

- WELDY Energy HT1600
- Spare carbon brushes,
- Slotted nozzle 20 mm,
- Slotted nozzle 40 mm,
- Pressure roller,
- Transport case,
- Instruction manual.

#### Code

120.882

Slotted nozzle  
20mm Ø 31.5mm



#### Code

130.631

Slotted nozzle  
40mm, Ø 31.5mm



#### Code

130.891

Pressure roller  
bearing - 30 mm



#### Code

130.146

Pressure roller for flashings



#### Code

135.750

Brass brush



#### Code

116.789R

## Swimming pool liner welding techniques – training offer with manufacturer's certificate

**PREMIUM QUALITY REQUIRES FIRST-CLASS INSTALLATION.**

The training is highly varied and focused on practice, but there are also theoretical elements and demonstration elements. The limited number of participants gives the comfort of being looked after by an instructor for each participant.

The training takes place in the form of instruction - each participant is provided with his or her own workstation and the materials, tools and accessories necessary for the practical exercises. Teaching includes welding techniques on basic reinforced swimming pool liners and the new 3D structural line.







# Basin equipment

MTS COMPONENT LINE.....	64
ABS WHITE FOR FOIL POOL.....	65
ABS CREAM FOR FOIL POOL.....	68
ABS GREY FOR FOIL POOL.....	72
ACID-RESISTANT STEEL FOR THE FOIL POOL.....	76
HAYWARD PRODUCT LINE.....	80
ABS WHITE.....	80
FLAT LAMPS WITHOUT NICHE.....	85
ACCESSORIES.....	86
HAYWARD ELEMENT LINE.....	89
PAHLEN STAINLESS STEEL PRODUCT LINE.....	91
STEEL FLOOR DRAINS.....	93
HOOVER SUCTION SOCKETS MADE OF STEEL.....	93
STEEL SKIMMERS.....	94
HUGO LAHME.....	95
MASONRY AND BRONZE DRAINS.....	96
WALL INLET NOZZLES IN BRONZE AND BRONZE.....	98
BOTTOM INLET NOZZLES.....	100
MUSHROOM AND BRONZE TEST SHELLS.....	101
HOOVER SUCTION SOCKETS IN BRONZE AND BRONZE.....	102
ACCESSORIES.....	103
BRONZE AND GUNMETAL SKIMMERS.....	104
BRONZE AND GUNMETAL SKIMMERS- ACCESSORIES.....	106
SKIMMER HIGH LEVEL 500 IN V4A STEEL, ACCESSORIES.....	107
BRASS AND BRONZE BOTTOM DRAINS AND ACCESSORIES.....	108
LED UNDERWATER LIGHTING IN BRONZE AND BRONZE.....	109
ACCESSORIES.....	110
POWER AND CONTROL OF HUGO LAHME LAMPS.....	114
UNDERWATER SOUND SYSTEM.....	115
USE OF UNDERWATER SOUND SYSTEMS IN MEDITATION AND RELAXATION ZONES.....	115
ACCESSORIES.....	115
ANGELEYE.....	116
ABS UNDERWATER LED LIGHTING.....	118

# MTS COMPONENT LINE

## ABS WHITE FOR FOIL POOL

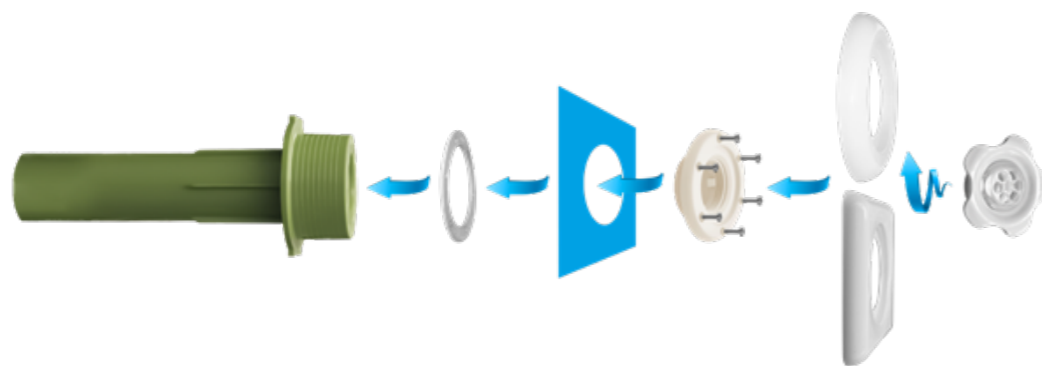


The UNI-SET solution allows the nozzle to be composed as required in a few simple steps.

- **Step 1**  
select a nozzle
- **Step 2**  
select cartridge
- **Step 3**  
choose a grille
- **Step 4**  
select accessories



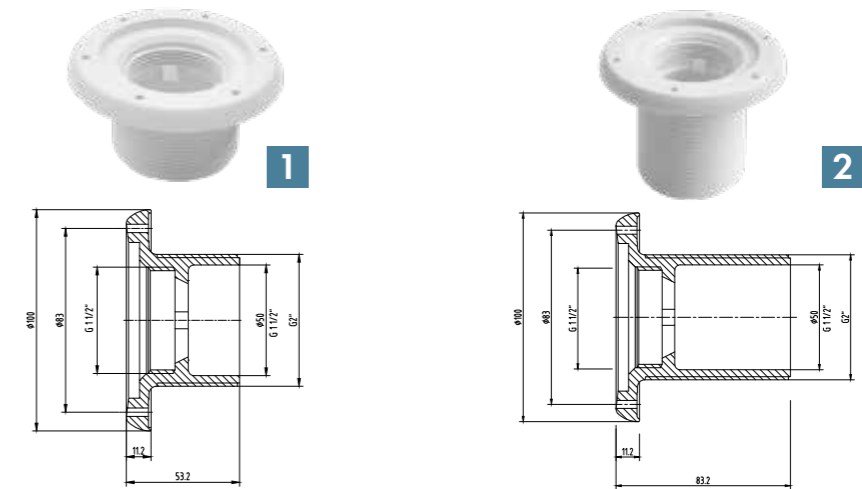
Code	Description
1	Wall culvert, 150mm, GW 2"- KW 50mm / KZ 63mm
2	Wall culvert, 300mm, GW 2"- KW 50mm / KZ 63mm
3	Wall culvert, 300mm, GW 2"- KW 63mm / KZ 75mm



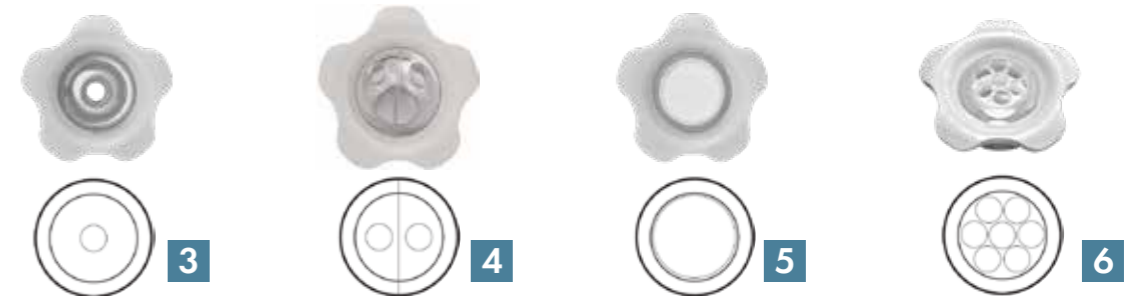
## ABS WHITE FOR FOIL POOL



### STEP 1



### STEP 2



### STEP 3



### STEP 4



Code	Description
1	Inflow nozzle, 40mm GW 1 1/2" - GZ 2"
2	Inflow nozzle, 70mm GW 1 1/2" - GZ 2"
3	Adjustable nozzle insert with ball Ø 8mm, GZ 1 1/2"
4	Adjustable DUO nozzle insert with double-ball Ø 2x8mm, GZ 1 1/2"
5	Adjustable nozzle insert with ball Ø 25mm, GZ 1 1/2"
6	Adjustable nozzle insert with ball Ø 7x7mm, GZ 1 1/2"
7	Nozzle cover, round- for tiled pools
8	Nozzle cover, square- for tiled pools
9	Flashing kit with 2 gaskets , M5 screws- for foil pools
10	Cover for the clip-on flapper set for foil pools
11	Water flow control cap
12	Winter plug with O-ring
13	Test tube, GZ 1 1/2"



Code	Description
1	15130 Skimmer V10, connections Ø 50/63mm
2	101320 Skimmer V10 front frame
3	152410 Skimmer V20, connections Ø 50/63mm
4	102001 Skimmer front frame V20
5	E10240031 Skimmer V20 upgrade
6	E10300410 Skimmer top cover V20
7	E10300611 Skimmer flap V20
8	20210 Skimmer water level regulator V10 and V20 GZ ½" / KW 20 mm
9	E103005 Skimmer basket V10 and V20
10	48140 ABS floor drain, acid resistant steel grille Horizontal outlet: GW 2", vertical outlet: GZ 2" or KW 63 mm
11	8553561 LED lamp 36W, cold white light, 1200 lumens, 5500K
12	8553451 LED lamp 17W, RGB light, 1520 lumens
13	E81120451 Controller for RGB lamps, 2.4GHz
14	E81120452 Remote control for RGB lamps, 2.4GHz



# MTS COMPONENT LINE

## ABS CREAM FOR FOIL POOL

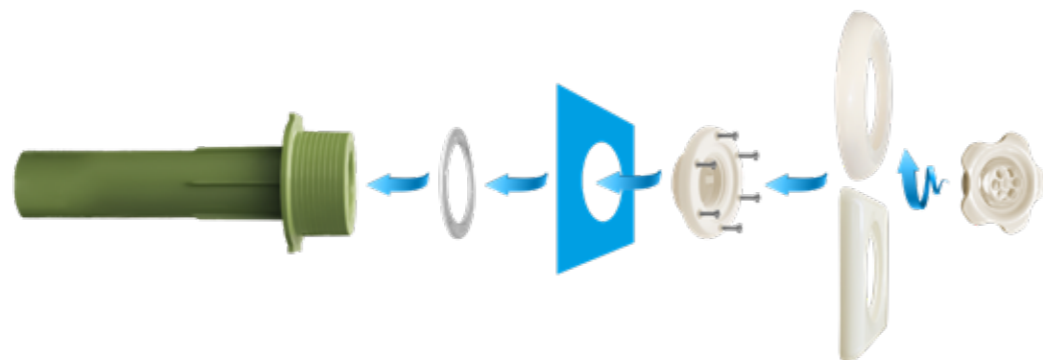


The UNI-SET solution allows the nozzle to be assembled according to requirements in a few simple steps.

- **Step 1**  
select a nozzle
- **Step 2**  
select cartridge
- **Step 3**  
choose a grille
- **Step 4**  
select accessories



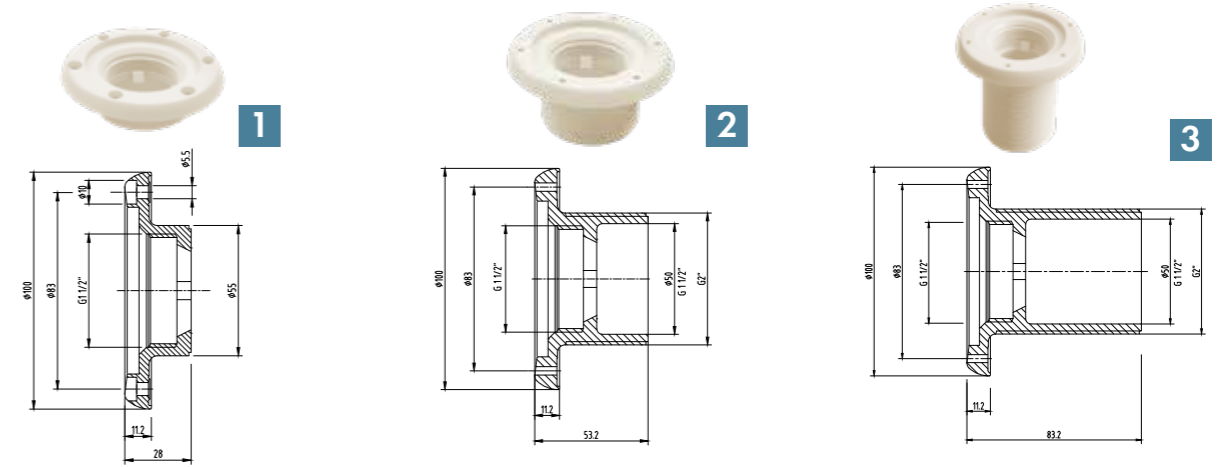
Code	Description
1	36125 Wall culvert, 150mm, GW 2"- KW 50mm / KZ 63mm
2	3613 Wall culvert, 300mm, GW 2"- KW 50mm / KZ 63mm
3	3614 Wall culvert, 300mm, GW 2"- KW 63mm / KZ 75mm



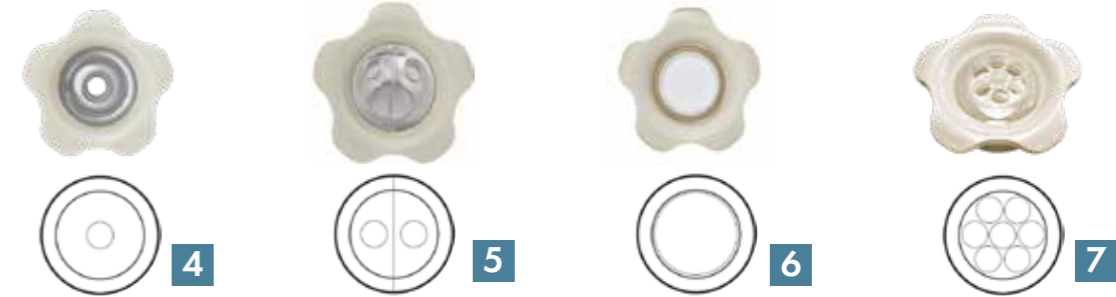
## ABS CREAM FOR FOIL POOL



### STEP 1



### STEP 2



### STEP 3



### STEP 4



Code	Description
1	332441 Inflow nozzle, 28mm 6x screw M5 (Ø 5.5mm)- GZ 2".
2	36254 Inflow nozzle, 40mm GW 1 ½"- GZ 2"
3	36247 Inflow nozzle, 70mm GW 1 ½"- GZ 2"
4	31331 Adjustable nozzle insert with ball Ø 8mm, GZ 1 ½"
5	313322 Adjustable DUO nozzle insert with double-ball Ø 2x8mm, GZ 1 ½"
6	31333 Adjustable nozzle insert with ball Ø 25mm, GZ 1 ½"
7	31334 Adjustable nozzle insert with ball Ø 7x7mm, GZ 1 ½"
8	36536 Nozzle cover, round- for tiled pools
9	36533 Nozzle cover, square- for tiled pools
10	3652 Flap set with 2 gaskets, for foil pools, M5 screws
11	36532 Clip-on type flapper set for foil pools
12	3143 Water flow control cap
13	3163 Winter plug with O-ring
14	3173 Test tube, GZ 1 ½"

ABS CREAM FOR FOIL POOL



Code	Description
1	Skimmer V10, connections Ø 50/63mm
2	Skimmer V10 front frame
3	Skimmer V20, connections Ø 50/63mm
4	Skimmer front frame V20
5	Skimmer V20 upgrade
6	Skimmer top cover V20
7	Skimmer flap V20
8	Skimmer water level regulator V10 and V20 GZ ½" / KW 20 mm
9	Skimmer basket V10 and V20
10	ABS floor drain, acid resistant steel grille Horizontal outlet: GW 2", vertical outlet: GZ 2" or KW 63 mm
11	LED lamp 36W, cold white light, 1200 lumens, 5500K
12	LED lamp 17W, RGB light, 1520 lumens
13	Controller for RGB lamps, 2.4GHz
14	Remote control for RGB lamps, 2.4GHz



# MTS COMPONENT LINE

## ABS GREY FOR FOIL POOL

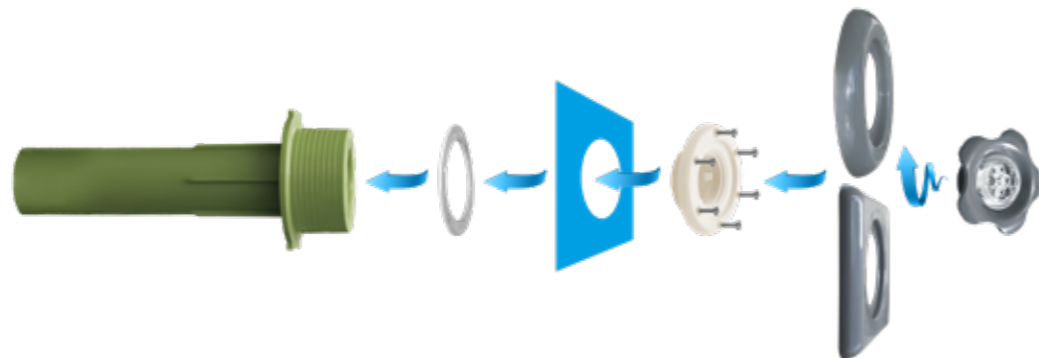


The UNI-SET solution allows the nozzle to be composed as required in a few simple steps.

- **Step 1**  
select a nozzle
- **Step 2**  
select cartridge
- **Step 3**  
choose a grille
- **Step 4**  
select accessories

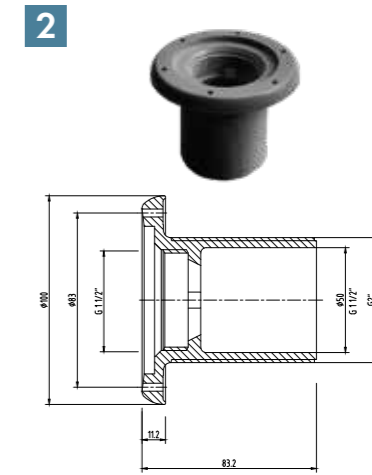
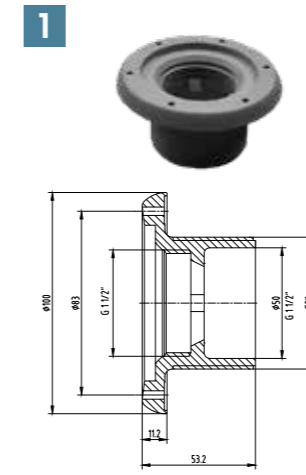


Code	Description
1	Wall culvert, 150mm, GW 2"- KW 50mm / KZ 63mm
2	Wall culvert, 300mm, GW 2"- KW 50mm / KZ 63mm
3	Wall culvert, 300mm, GW 2"- KW 63mm / KZ 75mm

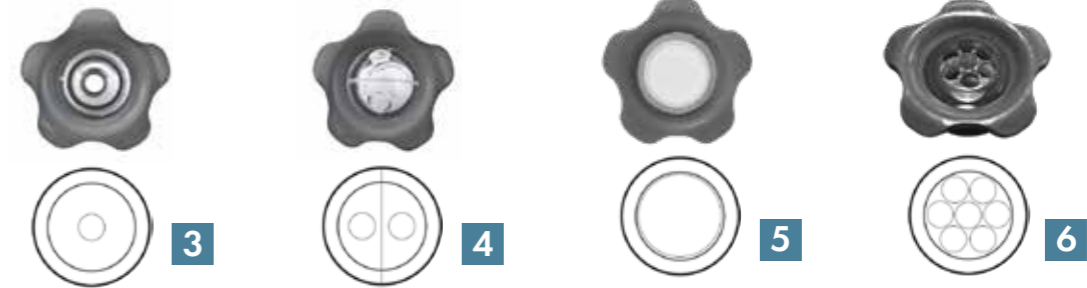


## ABS GREY FOR FOIL POOL

### STEP 1



### STEP 2



### STEP 3



### STEP 4



Code	Description
1	Inflow nozzle, 40mm GW 1 1/2"- GZ 2"
2	Inflow nozzle, 70mm GW 2"- GZ 2"
3	Adjustable nozzle insert with ball Ø 8mm, GZ 1 1/2"
4	Adjustable DUO nozzle insert with double-ball Ø 2x8mm, GZ 1 1/2"
5	Adjustable nozzle insert with ball Ø 25mm, GZ 1 1/2"
6	Adjustable nozzle insert with ball Ø 7x7mm, GZ 1 1/2"
7	Nozzle cover, round- for tiled pools
8	Nozzle cover, square- for tiled pools
9	Flashing kit with 2 gaskets , M5 screws- for foil pools
10	Clip-on type flapper set for foil pools
11	Water flow control cap
12	Winter plug with O-ring
13	Test tube, GZ 1 1/2"



Code	Description
1	152415 Skimmer V20, connections Ø 50/63mm
2	102005 Skimmer front frame V20
3	E10240035 Skimmer V20 upgrade
4	E10300415 Skimmer top cover V20
5	E10300615 Skimmer flap V20
6	20210 Skimmer water level regulator V20 GZ ½" / KW 20 mm
7	E103005 Skimmer basket V20
8	48145 ABS floor drain, acid resistant steel grille Horizontal outlet: GW 2", vertical outlet: GZ 2" or KW 63 mm
9	8553565 LED lamp 36W, cold white light, 1200 lumens, 5500K
10	8553455 LED lamp 17W, RGB light, 1520 lumens
11	E81120451 Controller for RGB lamps, 2.4GHz
12	E81120452 Remote control for RGB lamps, 2.4GHz

# MTS COMPONENT LINE

## STAINLESS STEEL FOR FOIL POOL

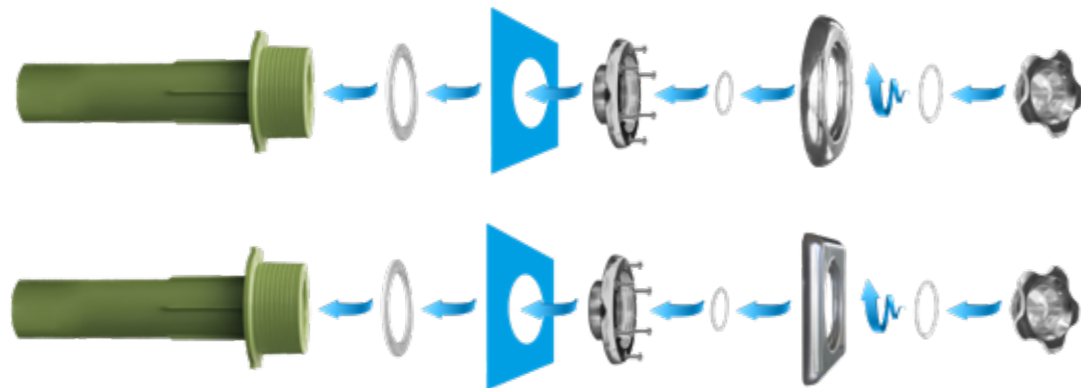


The UNI-SET solution allows the nozzle to be composed as required in a few simple steps.

- **Step1** select a nozzle
- **Step2** select cartridge
- **Step3** choose a grille
- **Step4** select accessories



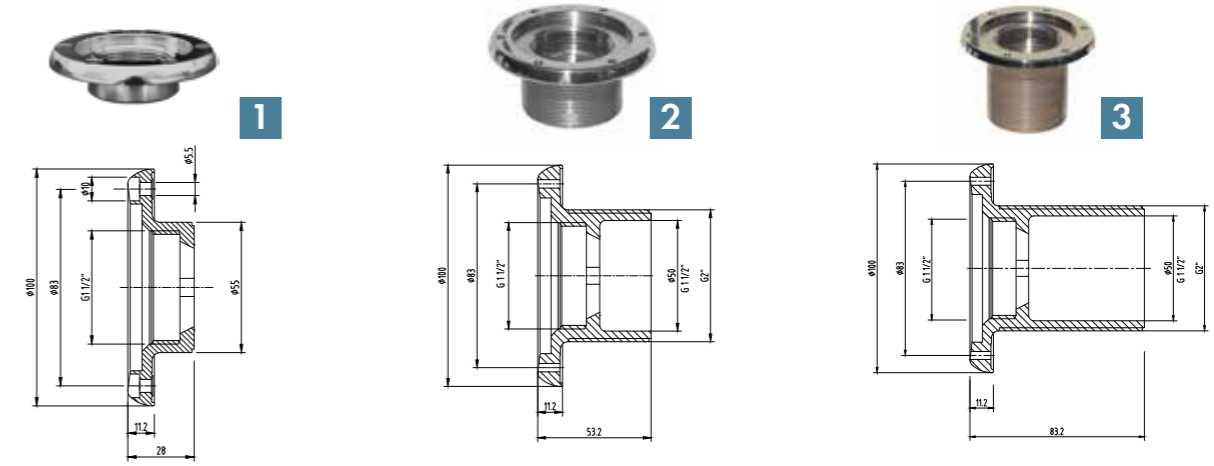
Code	Description
1	36125 Wall culvert, 150mm, GW 2"- KW 50mm / KZ 63mm
2	3613 Wall culvert, 300mm, GW 2"- KW 50mm / KZ 63mm
3	3614 Wall culvert, 300mm, GW 2"- KW 63mm / KZ 75mm



## STAINLESS STEEL FOR FOIL POOL



### STEP 1



### STEP 2



### STEP 3



### STEP 4



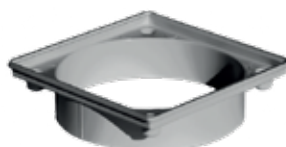
Code	Material	Description
1	352411 Stal V4A	Inflow nozzle, 28mm 6x screw M5 (Ø 5.5mm)- GZ 2".
2	3524 Stal V4A	Inflow nozzle, 40mm GW 1 ½"- GZ 2"
3	35247 Stal V4A	Inflow nozzle, 70mm GW 1 ½"- GZ 2"
4	30331 Stal V4A	Adjustable nozzle insert with ball Ø 8mm, GZ 1½"
5	303322 Stal V4A	Adjustable DUO nozzle insert with double-ball Ø 2x8mm, GZ 1½".
6	30333 Stal V4A	Adjustable nozzle insert with ball Ø 25mm, GZ 1½"
7	30334 Stal V4A	Adjustable nozzle insert with ball Ø 7x7mm, GZ 1½".
8	35536 Stal V4A	Nozzle cover, round- for tiled pools
9	35533 Stal V4A	Nozzle cover, square- for tiled pools
10	3553 Stal V4A	Flashing kit with 2 gaskets , M5 screws- for foil pools
11	3243 ABS transparent	Water flow control cap
12	3263 ABS transparent	Winter plug with O-ring
13	3273 ABS transparent	Test tube, GZ 1 ½"



1



2



3



4



5



6



7



8



9



10



11



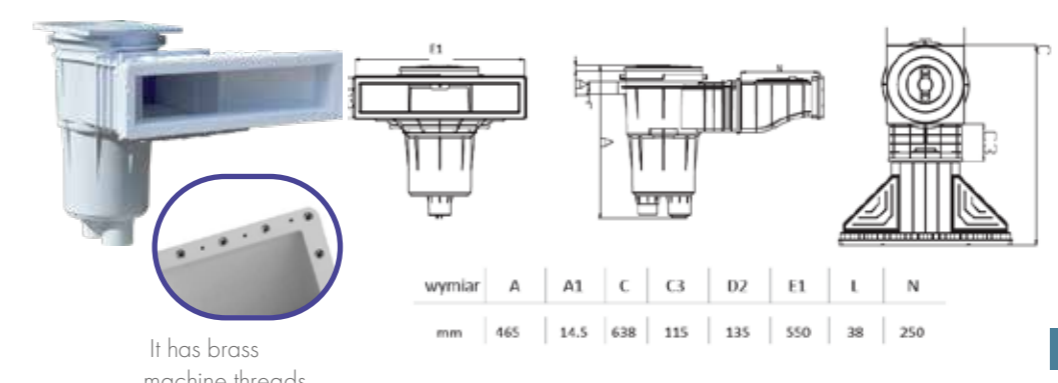
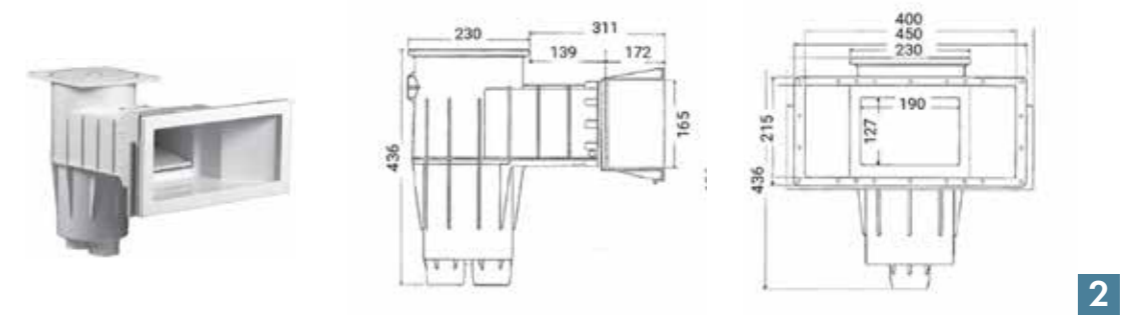
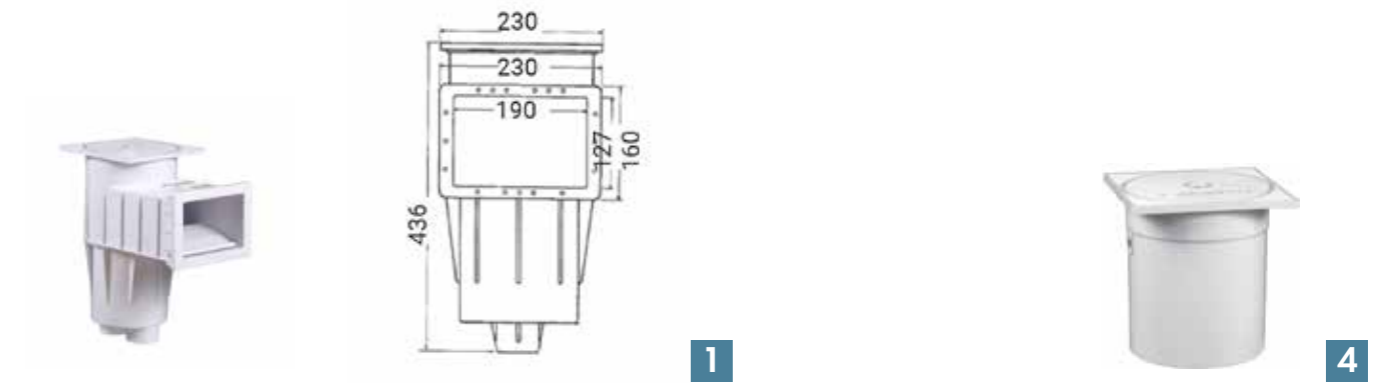
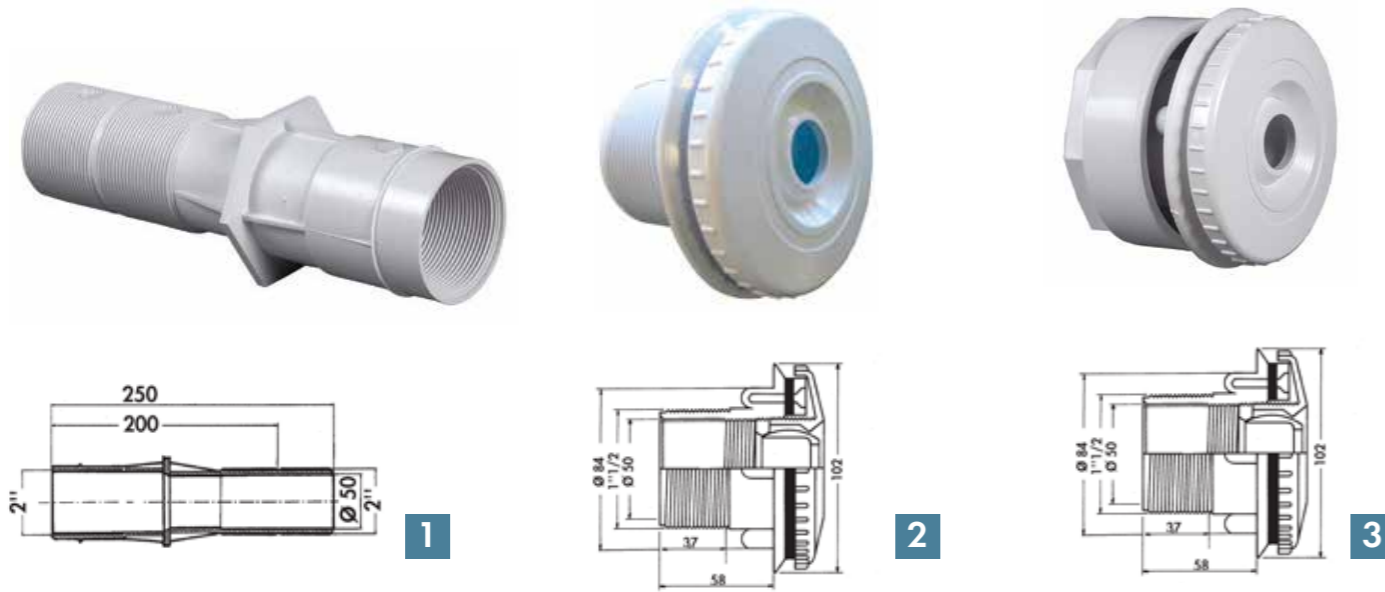
12

Code	Material	Description
1	ABS + V4A	Skimmer V20 z szarego ABS z flanszą kwasoodporną V4A, przyłącza Ø 50/63mm
2	V4A	Skimmer front frame V20 ze stali kwasoodpornej
3	ABS	Skimmer V20 upgrade ciemnoszare z ABS
4	V4A	Skimmer top cover V20 ze stali kwasoodpornej
5	V4A	Skimmer flap V20- stal kwasoodporna
6	ABS	Skimmer water level regulator V20 GZ ½" / KW 20 mm
7	PP	Skimmer basket V20
8	ABS + V4A	Grey ABS floor drain, acid-resistant steel grille Horizontal outlet: GW 2", vertical outlet: GZ 2" or KW 63 mm
9	V4A	LED lamp 36W, cold white light, 1200 lumens, 5500K
10	V4A	LED lamp 17W, RGB light, 1520 lumens
11	-	Controller for RGB lamps, 2.4GHz
12	-	Remote control for RGB lamps, 2.4GHz



 **HAYWARD®**





Code	Pool type	Description
1	-	2" nozzle wall culvert
2	Foil	nozzle, GZ 2"- bonding KW 50 mm, ball 22 mm
3	Prefabricated	nozzle, GZ 2"- bonding KW 50 mm, ball 22 mm
4	Foil	Nozzle, 1 1/2 " ball Ø 19 mm
5	Foil	Nozzle, 1 1/2 " ball Ø 25 mm
6	Prefabricated	nozzle, 1 1/2"-2" ball Ø 19mm
7	Prefabricated	lock nut*

\* Included with nozzle 3321

For foil pools		
	Code	Description
1	3111	Skimmer standard Premium
2	3119	Premium wide skimmer
3	3139	Skimmer Mirror- high water level
4	3150	Water level regulator*

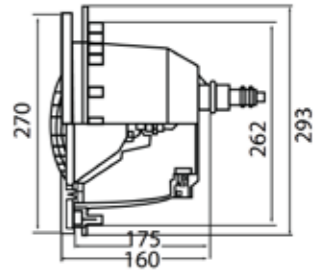
\*A water level regulator Art. No. 3150 must be used with the Mirror skimmer.



For foil pools		
	Code	Description
1	3253PAK2	Bottom drain, GW 1 1/2" - pack contains 2 pcs.
2	INS3250	Metal grille for double-packed bottom drains- PAK2
3	WG1048AVE	Bottom drain, line WG, GW 1 1/2"
4	WG1049AVE	Bottom drain, WG line, GW 2"
5	INS1050WG	Metal grille for WG bottom drains
6	3331	Hoover suction socket. Connection 2" - 50 mm bonding
For prefabricated swimming pools		
7	3334	Hoover suction socket. Connection 2" - 1 1/2"

Lampy LED Crystallogic® & Colorlogic®

- the service life of the lamps is more than 30,000 hours, thanks to the anodised aluminium housing and the plastic lens, which provides exceptional protection against aggressive agents used in water treatment
- the Crystallogic and ColorLogic series comply with all European lighting regulations
- maximum electricity consumption is 16W for the Colorlogic® lamp and 13.5W for the Crystallogic® model, which is approximately 6 times less than that of traditional light sources
- can be freely matched to the colour of the pool. There are 4 colours to choose from rings (dark grey, light grey, sand and white)
- The Colorlogic® (RGB) model offers a choice of 16 lighting programmes, allowing you to adapt the atmosphere to your mood using the optional remote control. Sequences can be synchronised almost instantly, without having to switch off the entire system



LED lamps, PAR56		
Technology	Crystallogic®	Colorlogic® (16 programmes, synchronisation, memory)
Current consumption	13.5 W	16 W
Power supply	12VAC / 20 VDC	12VAC / 20 VDC
Number of LEDs	60	90
Number of lumens	1650	510
Colour of light	cold white	RGB (red-green-blue)



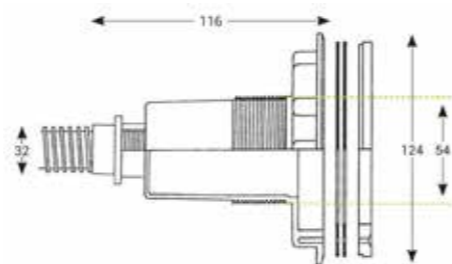
LED lamps, PAR56 - For foil pools		
	Code	Description
1	3481PLDBL3	Crystallogic® LED lamp, cold white light
2	3481LDRGB3	Crystallogic® LED lamp, RGB light (RED- GREEN-BLUE)
3	502730RC	Remote control
4	INS3481	Metal grille for lamps
5	3495EURO	Junction box



Code	Description
65/005M/ZL	Transformer 50 W
105/005M/ZL	Transformer 100 W
300/005M/ZL	Transformer 300 W
630/005M/ZL	Transformer 600 W
900/ZL	Transformer 900 W



Compact MINI LED lamps		
Technology	Crystallogic®	Colorlogic®
Current consumption	18 W	15 W
Power supply	12VAC	12VAC
Number of LEDs	3	3
Number of lumens	630	320
Colour of light	cold white	RGB (red-green-blue)



Compact MINI LED lamps - For foil pools		
	Code	Description
1	3429LEDBL	Crystallogic® LED lamp, cold white light
2	3429LEDRGB	Crystallogic® LED lamp, RGB light (RED- GREEN-BLUE)
3	502730RC	Remote control
4	3353	Masonry culvert
5	3495EURO	Junction box



Code	Description
65/005M/ZL	Transformer 50 W
105/005M/ZL	Transformer 100 W
300/005M/ZL	Transformer 300 W
630/005M/ZL	Transformer 600 W
900/ZL	Transformer 900 W

## FLAT LAMPS WITHOUT NICHE ABS WHITE

### Crystallogic® & Colorlogic®

- Compatible with all types of swimming pools
- Easy installation - can be easily installed on the pool wall without a niche
- All components necessary for assembly are included in the set
- Total bulb thickness 42 mm
- Ideal for new construction



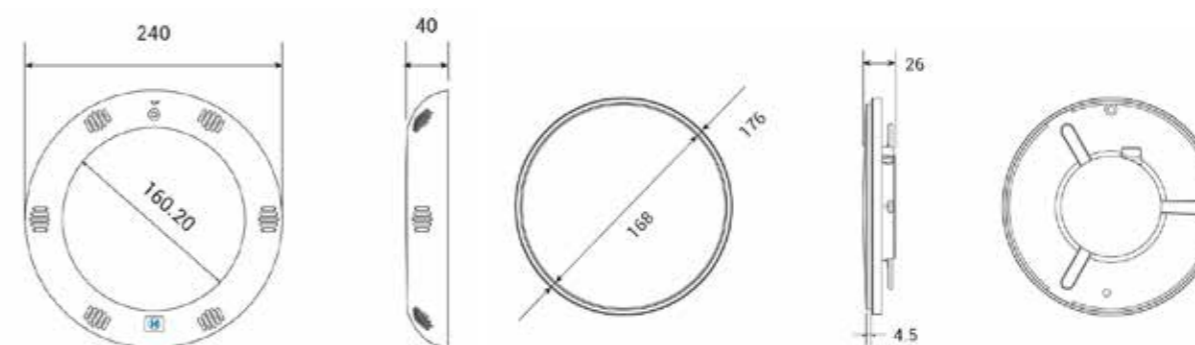
	3464PLDBL	3464LDRGB
	LED white	LED multicolour
Current consumption	18 W	
Power supply	12 V AC	
Number of LEDs	252	

### Fixings

For masonry pools	
For tile pools	
For masonry pools / tile pools / Foilch, wall inlet 2"	



### Dimensions:



# ACCESSORIES



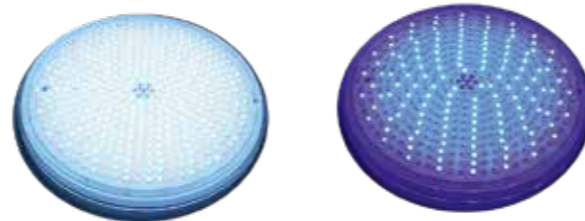
## Lamp controllers



	81RFBOX2C	81RFBOX6C	81RFBOX8C
Power consumption	120 W	120 W	300 W
Number of lamps	2 pcs.	6 pcs.	8 pcs.
Remote control	included	included	included

## Light bulbs

Compatible with all existing Hayward lights



Crystallogic® LED white			
	81486	81487	81488
Power consumption	18 W	25 W	32 W
Power supply	12 V AC	12 V AC	12 V AC
Number of LEDs	252	351	441
Number of lumens	1600	2250	2850

Colorlogic® LED multicolour			
	81489	81490	81491
Power consumption	18 W	25 W	32 W
Power supply	12 V AC	12 V AC	12 V AC
Number of LEDs	252	351	441
Number of lumens	800	1100	1400

# HAYWARD ELEMENT LINE



## ABS SAND FOR FOIL POOL

configure your pool to suit your needs!



	Code	Description
1	3315SA	Nozzle, 2" FG port- bonding KW 50 mm
2	3331SA	Hoover nozzle, 2 " connection- 50 mm bonding
3	3119SA	Skimmer Premium, Wide
4	3253SAPAK2	Bottom drain, GW 1 ½" pack contains 2 pcs.
5	3481PLDBL3SA	LED lamp Crystallogic® PAR 56, cold white light
6	3481LDRGB3SA	Colorlogic® PAR 56 LED lamp, RGB light
7	3495EUROSA	Junction box

## ABS LIGHT GREY FOR FOIL POOL



	Code	Description
1	3315LG	Nozzle, 2" FG port- bonding KW 50 mm
2	3331LG	Hoover nozzle, 2 " connection- 50 mm bonding
3	3111LG	Skimmer Premium, Standard
4	3119LG	Skimmer Premium, Wide
5	3139LG	Skimmer Mirror
6	3253LGPAK2	Bottom drain, GW 1 ½" pack contains 2 pcs.
8	3481PLDBL3LG	LED lamp Crystallogic® PAR 56, cold white light
9	3481LDRGB3LG	Colorlogic® PAR 56 LED lamp, RGB light
10	3495EUROLG	Junction box

## ABS DARK GREY FOR FOIL POOL



Code	Description
1	3315DGR Nozzle, 2" FG port- bonding KW 50 mm
2	3331DGR Hoover nozzle, 2 " connection- 50 mm bonding
3	3111DGR Skimmer Premium, Standard
4	3119DGR Skimmer Premium, Wide
5	3253DGRPAK2 Bottom drain, GW 1 ½" pack contains 2 pcs.
6	3481PLDBL3DGR LED lamp Crystallogic® PAR 56, cold white light
7	3481LDRGB3DGR Colorlogic® PAR 56 LED lamp, RGB light



## PAHLEN PRODUCT LINE OF STAINLESS STEEL

Wall-mounted inflow nozzles in

Classic line - capacity max. 6m<sup>3</sup>/h

Code	Description	Pool type	Required accessories	Accessory codes
125816	with linear flow, extended	concrete + foil	no	-
125811	with line flow, standard	12mm wooden wall + foil	no	-
		steel wall 3mm + foil	no	-
		concrete + tiles	flange	12670
		prefabricated	set of screws	15530111
126090	with ball, standard	concrete + tiles	flange	12640



Marine line - capacity max. 6m<sup>3</sup>/h

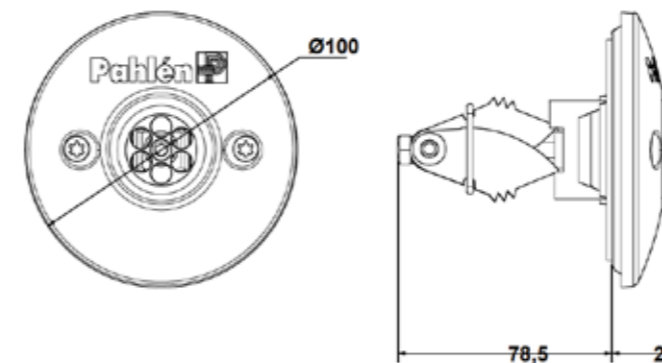
Code	Description	Pool type	Required accessories	Accessory codes
124816	z Flowem linio- wym, przedłużona	concrete + foil	no	-
124811	with line flow, standard	12mm wooden wall + foil	no	-
		steel wall 3mm + foil	no	-
		concrete + tiles	flange	12670
		prefabricated	set of screws	15530111
124505	with ball, standard	concrete + tiles	flange	12640



### Nozzle with auto anchoring system

Dedicated to fitting directly into PN10/16 pipes, it will fit diameters of 50mm and 63mm. The nozzle is protected by spikes inside the pipe.

Code	Description	Pool type	Flow
126102	Marine line, 7x7mm ball	concrete + tiles	10m <sup>3</sup> /h



Nozzles made of the highest quality stainless steel- works well in salt water

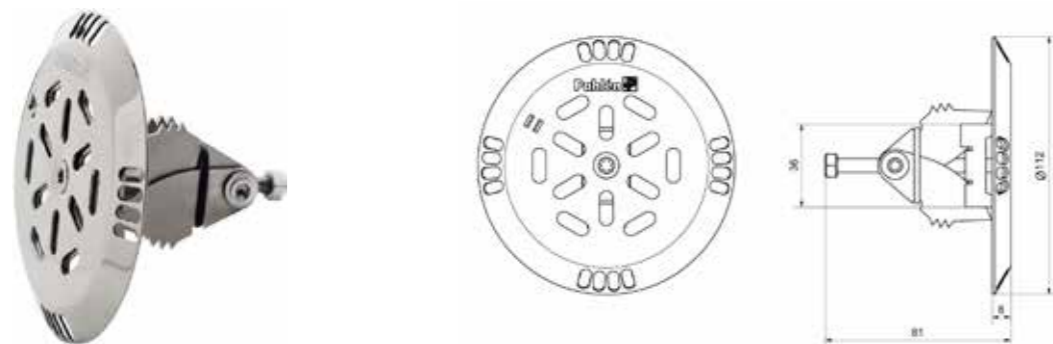
Code	Description	Pool type	Flow
126120	8 adjustable flow positions, GW 1 ½"	concrete + foil	15m³/h
12550	GZ 1 ½"	concrete + tiles	6m³/h
12560	GZ 2"	concrete + tiles	8m³/h



**Nozzle with auto anchoring system do Fixings in any slot**

Dedicated to fitting directly into PN10/16 pipes, it will fit diameters of 50mm and 63mm. The nozzle is protected by spikes inside the pipe.

Code	Description	Pool type	Flow
126110	8 adjustable drain positions	concrete + tiles	15m³/h



**STEEL FLOOR DRAINS**



For deeper pools, it is worth installing a bottom drain to prevent water from stagnating at the bottom of the pool. It can also be used as an outlet for a water curtain or massage nozzle. Drains can be installed either in the wall or in the bottom of the pool.

Code	Description	Pool type	Flow	Required accessories	Accessory codes
125931	GW 2"	concrete + foil	20m³/h	no	-
		prefabricated	20m³/h	set of screws	15530132
125936	GW 2"	concrete + tiles	20m³/h	no	-

**STEEL HOOVER SUCTION SOCKETS**

Code	Description	Pool type	Required accessories	Accessory codes
125831	GW 1 ½ ", standard	concrete + tiles	flange	12670
		prefabricated	set of screws	15530111
125836	GW 1 ½ ", extended	concrete + foil	no	-



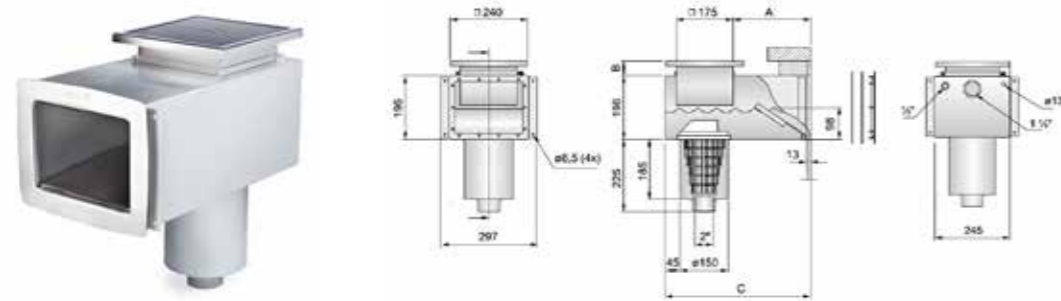
If the pool is equipped with an overflow, the suction port is used to connect the vacuum hose when cleaning the pool.



# STEEL SKIMMERS

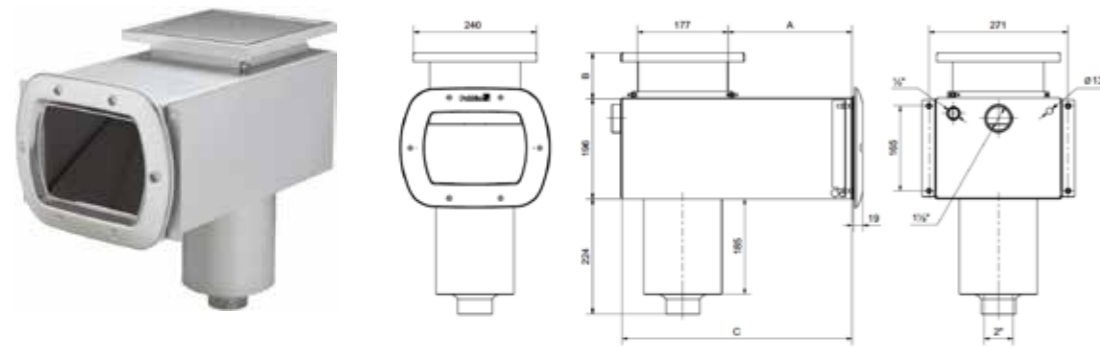
Skimmer Classic - Flow: 12m<sup>3</sup>/h

Code	Description	Pool type	Required accessories	Accessory codes
112988	Standard	concrete + foil	set clamps	112900
		prefabricated	set of screws	15530104
112998	Expanded	concrete + foil	set clamps	112900
		prefabricated	set of screws	15530104



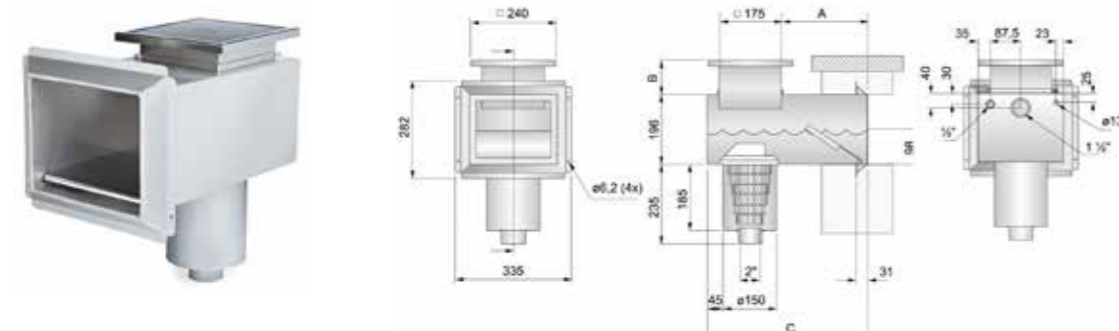
Skimmer Marine - Flow: 12m<sup>3</sup>/h

Code	Description	Pool type	Required accessories	Accessory codes
124988	Standard	concrete + foil	set clamps	112900
		prefabricated	set of screws	15530104
124998	Expanded	concrete + foil	set clamps	112900
		prefabricated	set of screws	15530104



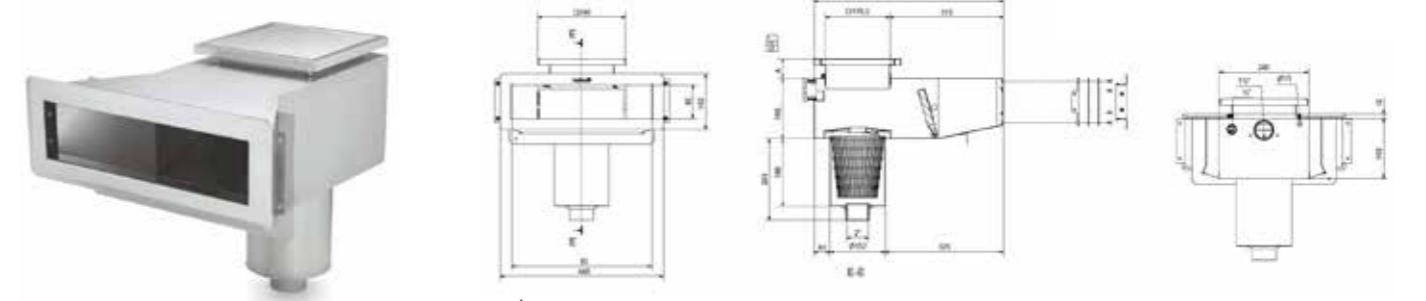
Skimmer - for tile pools, Flow: 12m<sup>3</sup>/h

Code	Description
112989	Standard
112999	Expanded

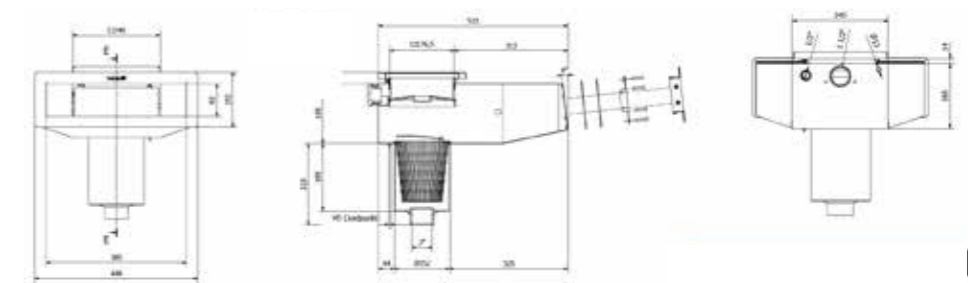


Skimmer Wide 385 - Flow: 12m<sup>3</sup>/h

Code	Description	Pool type	Required accessories	Accessory codes
112970	Classic Wide 385	concrete + tiles	no	-
		concrete + foil	set clamps	112900
112960	Classic Wide 6° 385	prefabricated	no	-



Code: 112970



Code: 112960

## Skimmer Infinity

Infinity skimmer giving an infinity effect. The water line is very close to the top of the pool.



The Infinity skimmer must be equipped with a water level regulator (11250) and accessories.

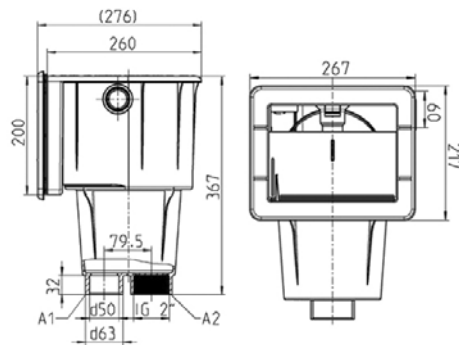
Code	Description
112965	Skimmer Infinity high water level

- made of acid-resistant steel
- polished front
- modern design
- fitted with a large prefilter
- ensures a higher water level in the pool
- flow approx. 12 m<sup>3</sup>/h

### Accessories:

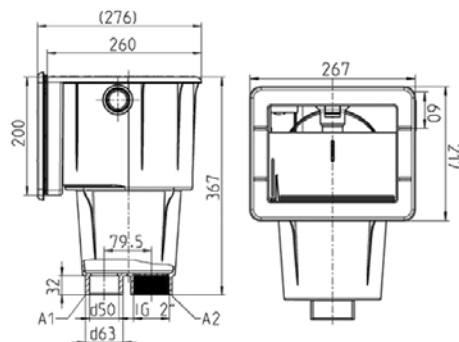
Code	Description
34222	Water level regulator, includes level sensor, solenoid valve, installation kit.

**Skimmery Ocean® De Luxe - Model M5** - Recommended flow rate 8 m<sup>3</sup>/h.  
Recommended one skimmer per 25 m<sup>2</sup> water surface area.



Code: 170560a

**Skimmery Ocean® De Luxe - Model PT** - Recommended flow rate 8 m<sup>3</sup>/h.  
Recommended one skimmer per 25 m<sup>2</sup> water surface area.



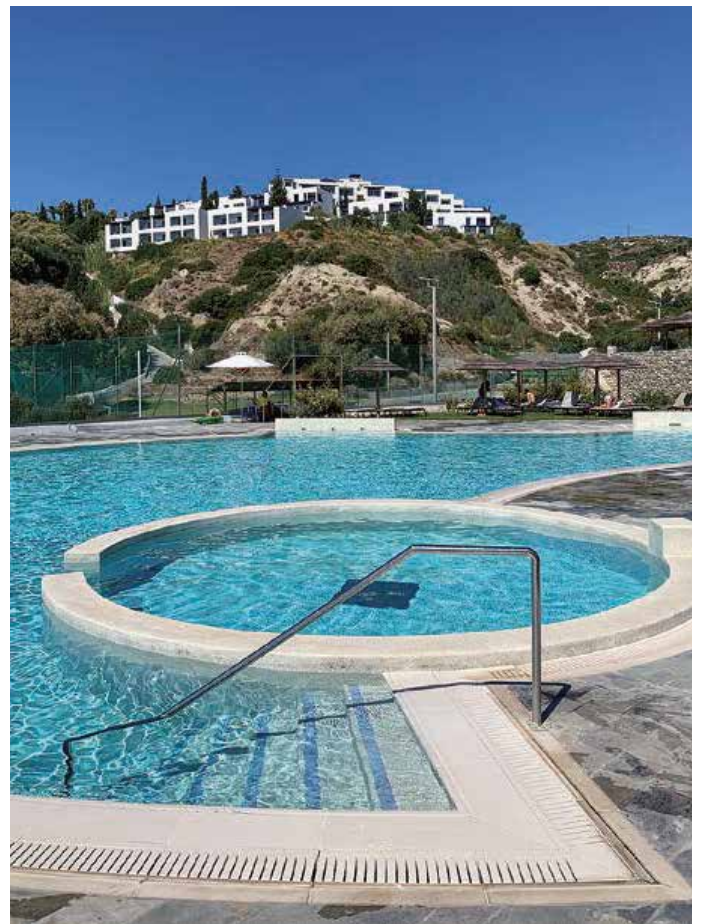
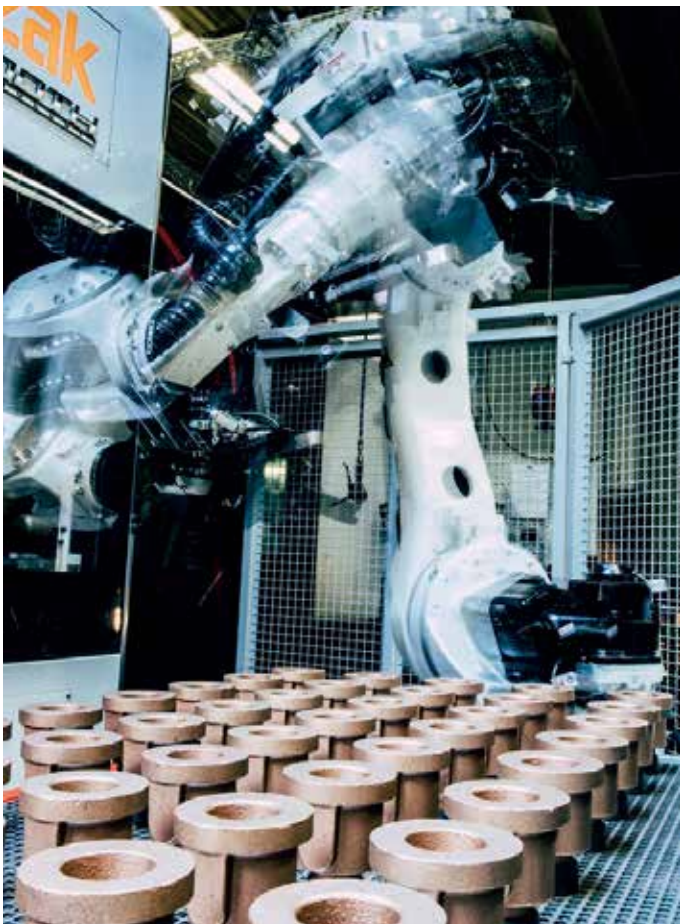
170542a

- with basket,
- skim vac d32/38 plate
- collar,
- a set of screws
- sealing,
- 2" / 1 1/2" reductions
- overflow connection d50
- includes cut-out for water level regulator.

Code	Description
170560a	Model M5 with stainless steel machine threads
170542a	Model PT screws directly into ABS plastic

# Hugo Lahme

Perfection in every element.



# GUNMETAL AND BRONZE MASONRY CULVERTS

**Hugo Lahme**

Perfection in every element.

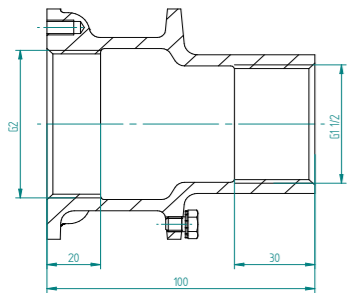


Dedicated to tile and foil pools

length: 100 mm  
connections: GW 2" x GW 1 1/2"



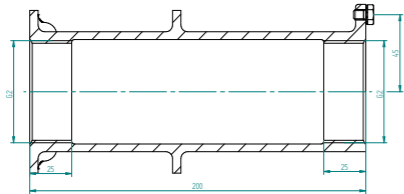
Code	Description
3022050	Gunmetal
3022051	Bronze



length: 200 mm  
connections: GW 2" x GW 2"



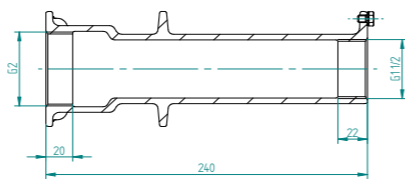
Code	Description
3000050	Gunmetal
3000051	Bronze



length: 240 mm  
connections: GW 2" x GW 1 1/2"



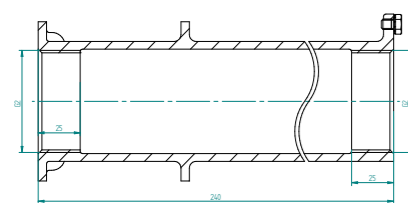
Code	Description
3021050	Gunmetal
3021051	Bronze



length: 240 mm  
connections: GW 2" x GW 2"



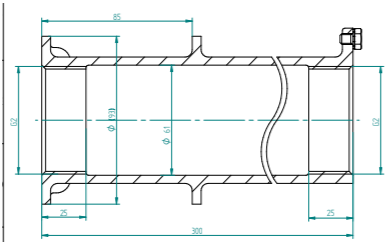
Code	Description
3001050	Gunmetal
3001051	Bronze



length: 300 mm  
connections: GW 2" x GW 2"



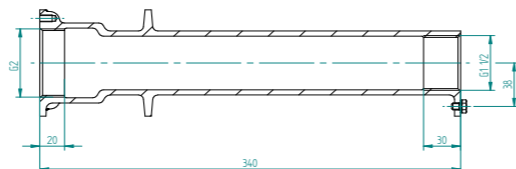
Code	Description
3010050	Gunmetal
3010051	Bronze



length: 340 mm  
connections: GW 2" x GW 1 1/2"



Code	Description
3031050	Gunmetal
3031051	Bronze



**Hugo Lahme**

Perfection in every element.



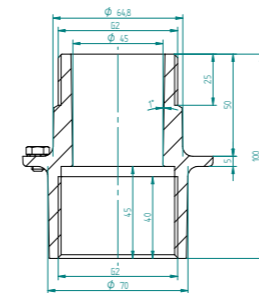
Dedicated to tile pools

All masonry culverts can be fixed on the formwork.

length: 100 mm  
connections: GW 2" x GW 2"



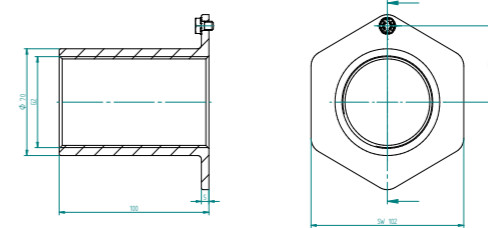
Code	Description
3051050	Gunmetal
3051051	Bronze



length: 100 mm  
connections: GW 2" along the entire length of the walkway



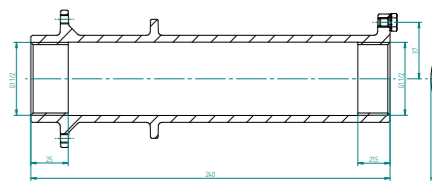
Code	Description
3050050	Gunmetal
3051051	Bronze



length: 240 mm  
connections: GW 1 1/2" x GW 1 1/2"



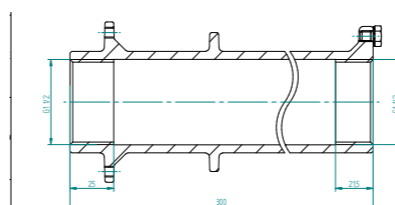
Code	Description
3040050	Gunmetal
3040051	Bronze



length: 300 mm  
connections: GW 1 1/2" x GW 1 1/2"



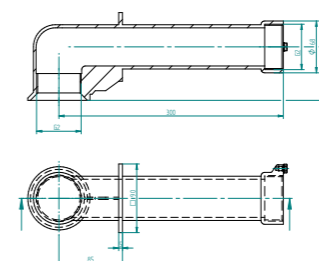
Code	Description
3041050	Gunmetal
3041051	Bronze



PRZEPUST MUROWY KĄTOWY 90°  
length: 300 mm  
connections: GW 2" x GW 2"



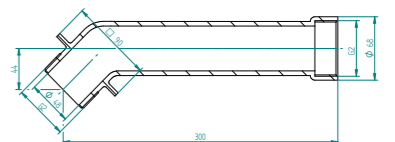
Code	Description
3880050	Gunmetal
3880051	Bronze



PRZEPUST MUROWY KĄTOWY 45°  
length: 300 mm  
connections: GW 2" x GW 2"



Code	Description
3890050	Gunmetal
3890051	Bronze



# INLET WALL NOZZLES MADE OF GUNMETAL AND BRONZE

for tiled and prefabricated swimming pools

with V4A cover and 18mm ball  
for tiled and prefabricated swimming pools

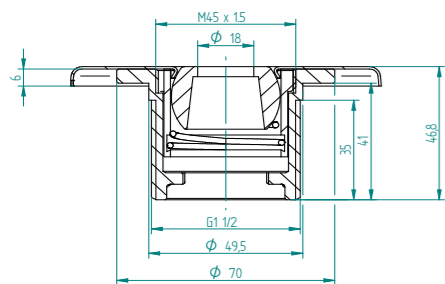


Code	Description	Material
3100420	length 40mm, GZ 1 1/2"	Gunmetal
3100421	length 40mm, GZ 1 1/2"	Bronze
3100720	length 70mm, GZ 1 1/2"	Gunmetal
3100721	length 70mm, GZ 1 1/2"	Bronze
3101420	length 40mm, GZ 2"	Gunmetal
3101421	length 40mm, GZ 2"	Bronze
3101720	length 70mm, GZ 2"	Gunmetal
3101721	length 70mm, GZ 2"	Bronze

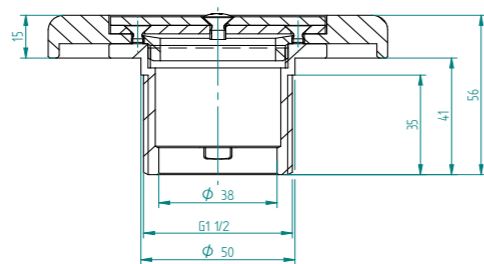
with cover V4A



3100420



3820020



## Hugo Lahme

Perfection in every element.



with cover V4A and ball 4x8mm  
for tiled and prefabricated swimming pools



Code	Description	Material
3105220	length 40mm, GZ 1 1/2"	Gunmetal
3105221	length 40mm, GZ 1 1/2"	Bronze
3105520	length 70mm, GZ 1 1/2"	Gunmetal
3105521	length 70mm, GZ 1 1/2"	Bronze
3105820	length 40mm, GZ 2"	Gunmetal
3105821	length 40mm, GZ 2"	Bronze
3106220	length 70mm, GZ 2"	Gunmetal
3106221	length 70mm, GZ 2"	Bronze

comply with the European standard DIN-EN

Code	Description	Material
3820020	length 40mm, GZ 1 1/2"	Gunmetal
3820021	length 40mm, GZ 1 1/2"	Bronze
3810020	length 40mm, GZ 2"	Gunmetal
3810021	length 40mm, GZ 2'	Bronze
3811020	length 70mm, GZ 2"	Gunmetal
3811021	length 70mm, GZ 2'	Bronze

## Hugo Lahme

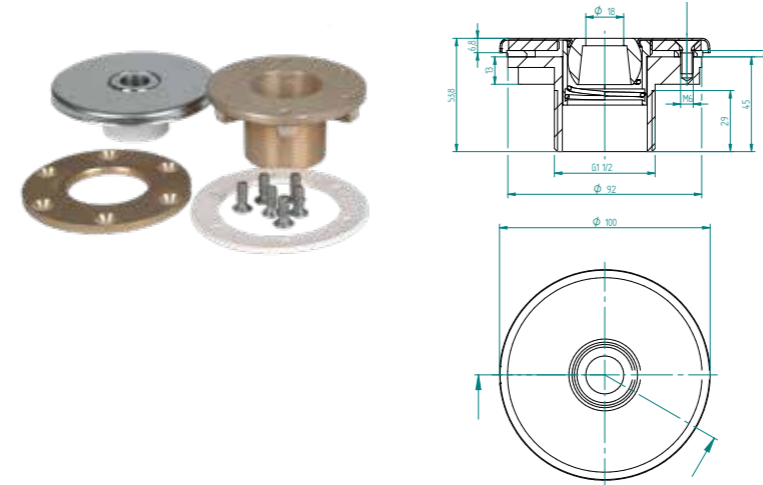
Perfection in every element.



The filtered water is returned to the pool through the inlet nozzles. In order to achieve an even and efficient water flow throughout the pool, the diameter of the ball of the inlet sphere must be designed according to the number of nozzles and the filter capacity. Also, unusual pool shapes can be optimally handled with directionally adjustable nozzles.

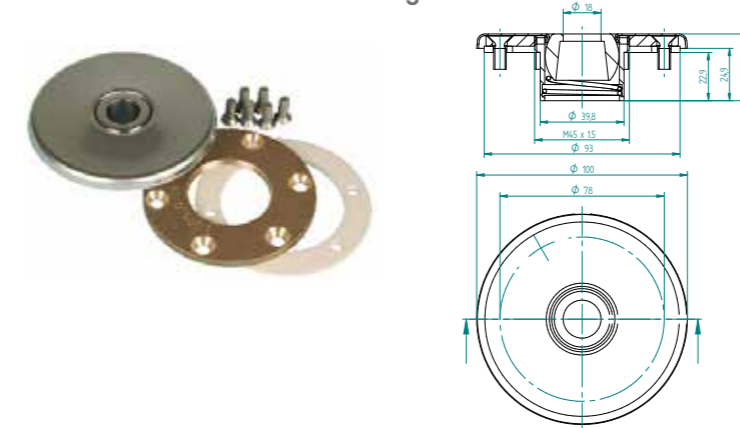
Wall nozzles with V4A cover and 18 mm ball

for foil pools, flap included



Code	Description	Material
3103420	length 40mm, GZ 1 1/2"	Gunmetal
3103421	length 40mm, GZ 1 1/2"	Bronze
3133420	length 70mm, GZ 1 1/2"	Gunmetal
3133421	length 70mm, GZ 1 1/2"	Bronze
3104420	length 40mm, GZ 2"	Gunmetal
3104421	length 40mm, GZ 2"	Bronze
3134420	length 70mm, GZ 2"	Gunmetal
3134421	length 70mm, GZ 2"	Bronze

Nozzle cover with ball and flanking



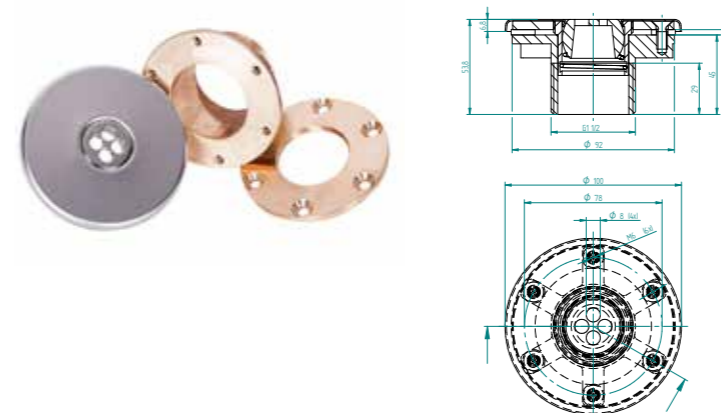
Code	Description	Material
3102020	nozzle cover with 18 mm ball	V4A

The most popular sets:  
(Nozzle)3103420 + (Transition) 3040050  
(Nozzle) 3102020 + (Transition) 3021050

Wall nozzles with cover V4A and ball 4 x 8 mm

for foil pools, flap included

comply with the European standard DIN-EN

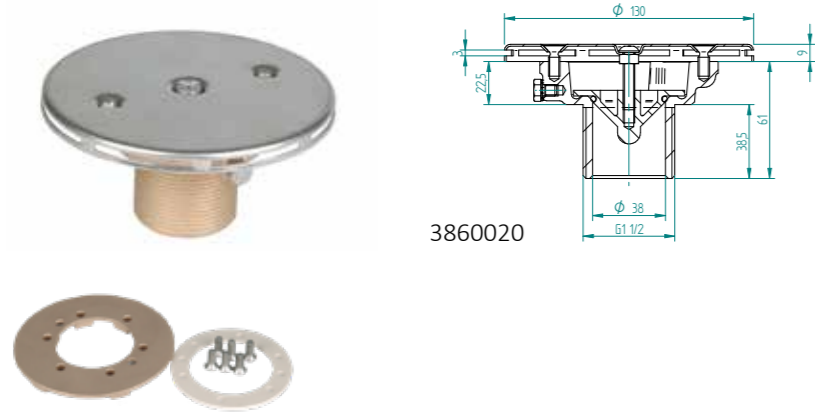


Code	Description	Material
3103720	length 40mm, GZ 1 1/2"	Gunmetal
3103721	length 40mm, GZ 1 1/2"	Bronze
3135420	length 70mm, GZ 1 1/2"	Gunmetal
3135421	length 70mm, GZ 1 1/2"	Bronze

## BOTTOM INLET NOZZLES

Hugo Lahme bottom inflow nozzles are characterised by their flat design and are used in conjunction with the overflow gutter system. Suitable adapters ensure simple operation even with a sloping pool bottom. The nozzles are flow-regulated and can be completely closed.

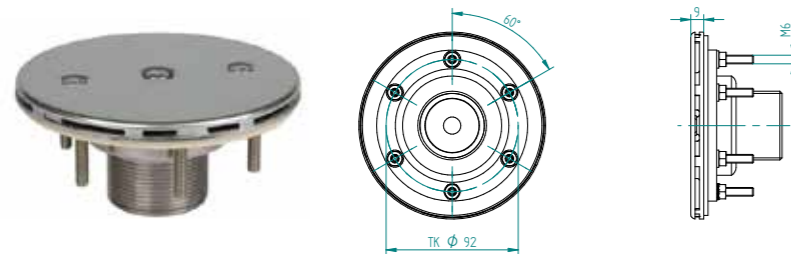
with cover V4A  
for foil and tile pools



Code	Description	Material
3860020	Bottom nozzle GZ 1 1/2"	Gunmetal
3860021	Bottom nozzle GZ 1 1/2"	Bronze
3864020	Bottom nozzle GZ 2"	Gunmetal
3864021	Bottom nozzle GZ 2"	Bronze

Code	Description	Material
3862050	Flap set for foil pools	Bronze

with cover V4A  
for prefabricated swimming pools



Code	Description	Material
3863020	Bottom nozzle GZ 1 1/2"	Gunmetal
3863021	Bottom nozzle GZ 1 1/2"	Bronze

### Adapters



Code	Description	Material
3860450	99 x GW 2"	PVC
3860350	99 x GW 1 1/2"	PVC
3860150	99 x 63	PVC
3860250	99 x GZ 1/2"	PVC

# Hugo Lahme

Perfection in every element.



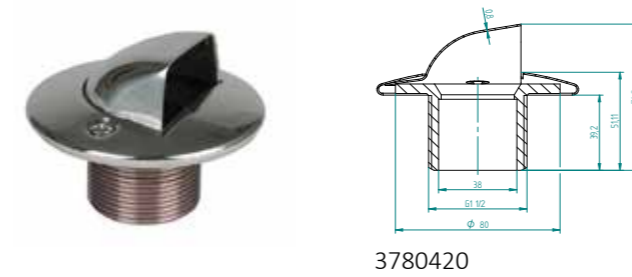
## GUNMETAL AND BRONZE TEST SHELLS

# Hugo Lahme

Perfection in every element.

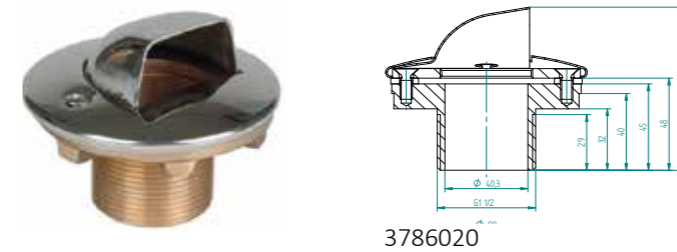


with cover V4A  
for tiled and prefabricated swimming pools



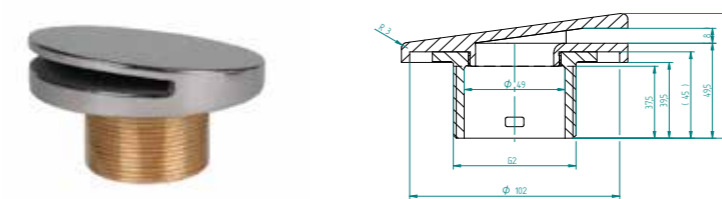
Code	Description	Material
3780420	length 40mm, GZ 1 1/2"	Gunmetal
3780421	length 40mm, GZ 1 1/2"	Bronze
3780720	length 70mm, GZ 1 1/2"	Gunmetal
3780721	length 70mm, GZ 1 1/2"	Bronze
3782420	length 40mm, GZ 2"	Gunmetal
3782421	length 40mm, GZ 2"	Bronze
3782720	length 70mm, GZ 2"	Gunmetal
3782721	length 70mm, GZ 2"	Bronze

with cover V4A  
for foil pools



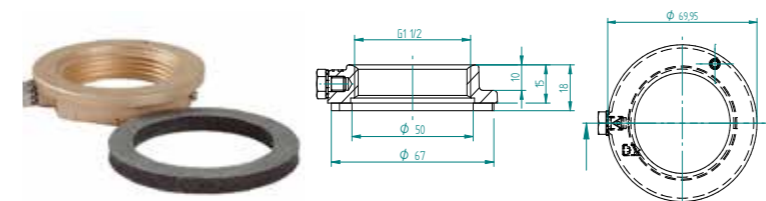
Code	Description	Material
3786020	length 40mm, GZ 1 1/2"	Gunmetal
3786020	length 40mm, GZ 1 1/2"	Bronze
3787020	length 40mm, GZ 2"	Gunmetal
3787021	length 40mm, GZ 2"	Bronze

with NiSn cover  
for tiled and prefabricated swimming pools



Code	Description	Material
3800000	length 40mm, GZ 2'	Gunmetal
3800001	length 40mm, GZ 2"	Bronze

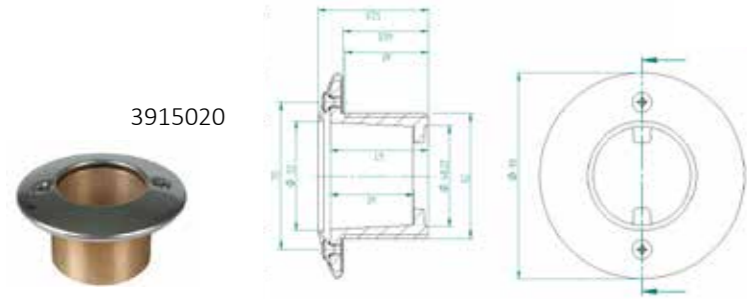
Contraction kitse  
for prefabricated swimming pools



Code	Description	Material
3960050	Set with 1 1/2" thread	Gunmetal
3950050	Set with 2" thread	Bronze
3970050	Set with 2 1/2" thread	Gunmetal

# SUCTION SOCKETS FOR HOOVERS IN GUNMETAL AND BRONZE

with cover V4A  
for tiled and prefabricated swimming pools



Code	Description	Material
3915020	length 40mm, GZ 2"	Gunmetal
3915021	length 40mm, GZ 2"	Bronze
3916020	length 70mm, GZ 2"	Gunmetal
3916020	length 70mm, GZ 2"	Bronze

Contraction kitse  
for prefabricated swimming pools



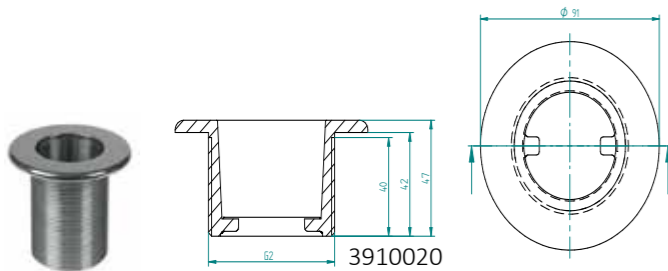
Code	Description	Material
3945020	Set with 1 1/2" thread	Gunmetal
3950050	Set with 2" thread	Gunmetal
3970050	Set with 2 1/2" thread	Gunmetal

with NiSn coating(nickel tin)  
for foil swimming pools with flanking



Code	Description	Material
3941000	length 40mm, GZ 2"	Gunmetal
3941001	length 40mm, GZ 2"	Bronze

with NiSn coating(nickel tin)  
for tiled and prefabricated swimming pools



Code	Description	Material
3910020	length 40mm, GZ 2"	V4A steel
3911020	length 70mm, GZ 2"	V4A steel

with cover V4A  
for foil swimming pools with flanking



Code	Description	Material
3945020	length 40mm, GZ 2"	Gunmetal
3945021	length 40mm, GZ 2"	Bronze

In pools with overflow systems, it is not possible to connect a Hoover via the skimmer. In such cases, a separate suction fitting is installed which is connected to the filter system. This allows the pool to be easily cleaned. When cleaning is complete, the suction spigot must be closed with a cap (see next page).

# ACCESSORIES

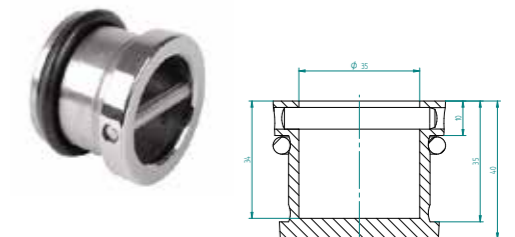
Made of bronze, gunmetal and steel

hose adapter Ø 38mm  
with NiSn coating(nickel tin)with O-ring

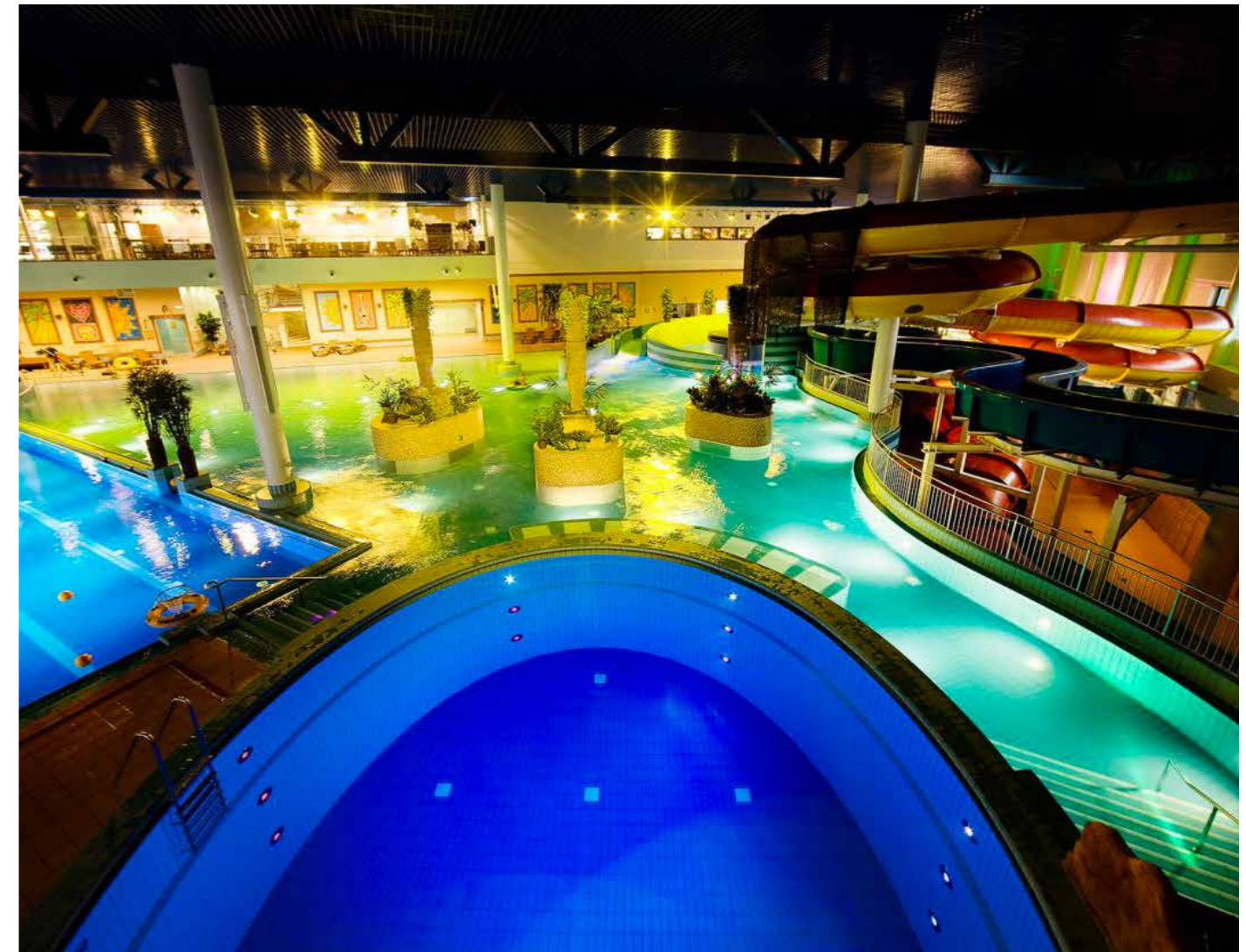


Code	Description	Material
3920000	With NiSn coating (nickel tin)	Gunmetal
3920001	With NiSn coating (nickel tin)	Bronze

Press-lock plug with O-ring



Code	Description	Material
3930020	With NiSn coating (nickel tin)	V4A steel



# GUNMETAL AND BRONZE SKIMMERS

**Hugo Lahme**

Perfection in every element.



**Hugo Lahme**

Perfection in every element.



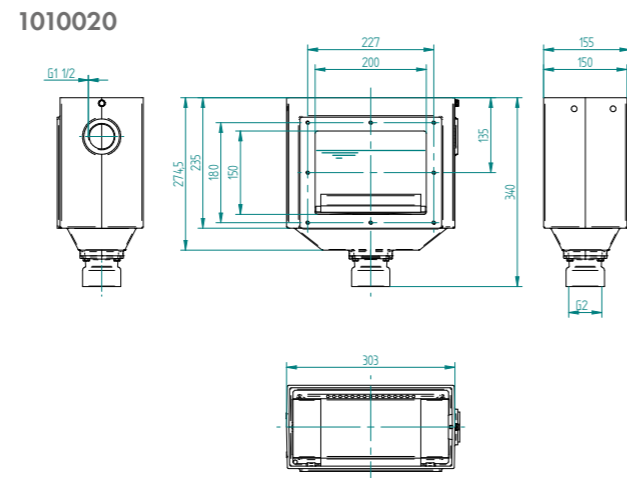
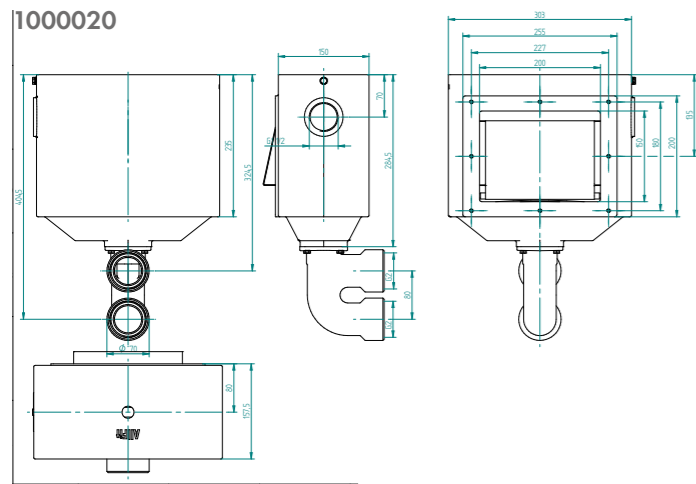
For foil, tile and prefabricated swimming pools



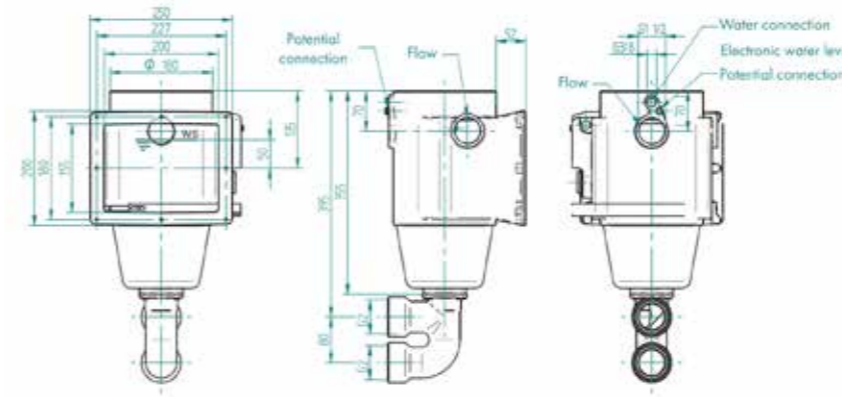
Code	Description	Material
1010020	skimmer, GW 2"	Gunmetal
1010021	skimmer, GW 2"	Bronze
1000020	skimmer, GW 2" with 2-way valve	Gunmetal
1000021	skimmer, GW 2" with 2-way valve	Bronze



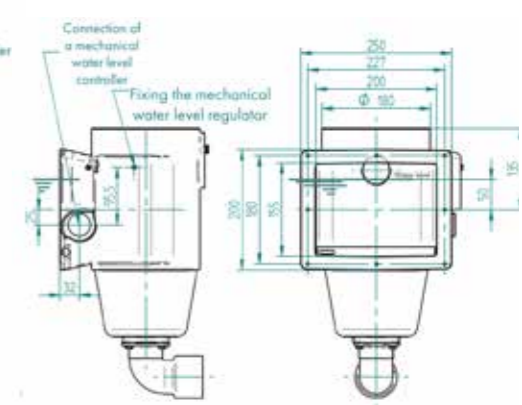
Code	Description	Material
1262020	skimmer, GW 2"	Gunmetal
1262021	skimmer, GW 2"	Bronze
1252020	skimmer, GW 2" with 2-way valve	Gunmetal
1252021	skimmer, GW 2" with 2-way valve	Bronze



1252020

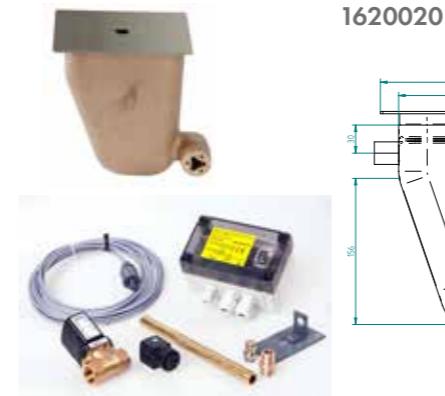


1262020

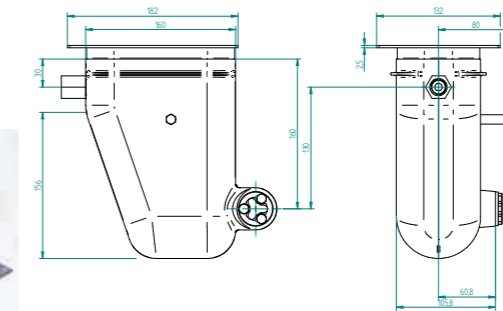


Dedicated water level regulators

Code	Description	Material
1601020	mechanical water level regulator	Gunmetal
1601021	mechanical water level regulator	Bronze



1620020



Dedicated water level regulators

Code	Description	Material
1620020	mechanical water level regulator	Gunmetal
1620021	mechanical water level regulator	Bronze
1702050	electronic water level regulator with valve 1/2" solenoid valve.	—



Dedicated top frames



Code	Description	Material
1351000	skimmer top frame	Gunmetal
1361000	top frame skimmer and water level regulator	Bronze

## GUNMETAL AND BRONZE SKIMMERS - ACCESSORIES

**Hugo Lahme**

Perfection in every element.



### Skimmer extensions



Code	Description	Material
1020050	length 50 mm	Gunmetal
1020051	length 50 mm	Bronze
1030050	length 100 mm	Gunmetal
1030051	length 100 mm	Bronze
1040050	length 300 mm	Gunmetal
1040051	length 300 mm	Bronze

### Front skimmer frames



Code	Description	Material
1062020	for tile pools	V4A steel
1052020	for foil pools, 2 parts	V4A steel, Bronze

### Skimmer extension - with intake extension up to 350 mm



Code	Description	Material
1045050	Skimmer extension	Gunmetal
1045051	Skimmer extension	Bronze

### Dedicated components - at an intake of 350 mm

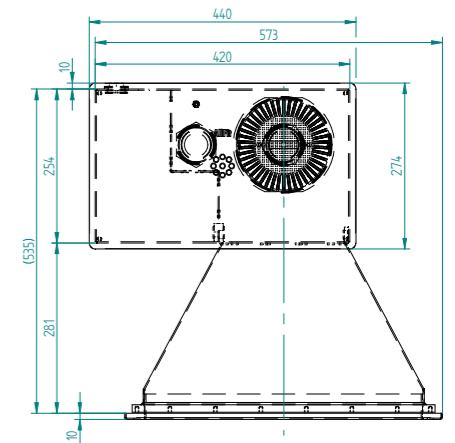
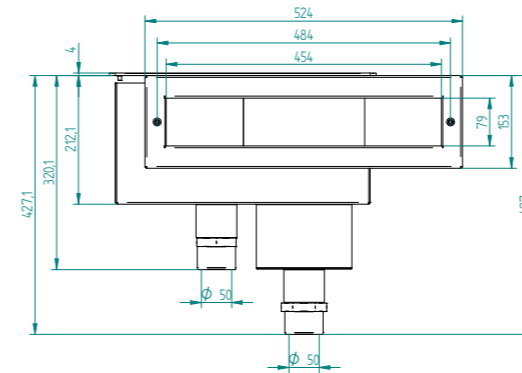


Code	Description	Material
1046050	flanking set	Bronze
1045520	front frame	V4A steel

## SKIMMER HIGH LEVEL 500 IN V4A STEEL, ACCESSORIES

**Hugo Lahme**

Perfection in every element.



Code	Description	Material
1270020	Skimmer High Level 500, GW 2", with front frame	V4A steel
1272020	Flushing kit for foil pools	V4A steel
1271050	Electronic water level controller	—
1272050	Mechanical water level regulator	—

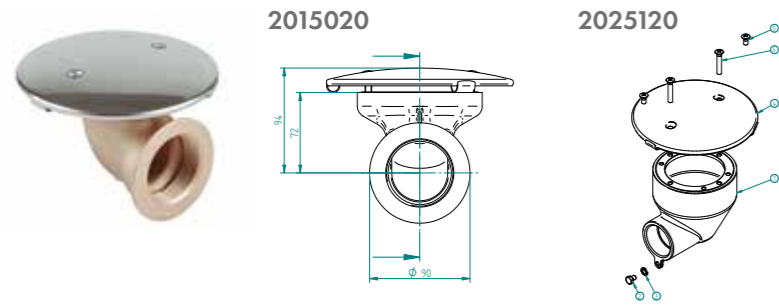
## GUNMETAL AND BRONZE BOTTOM DRAINS AND ACCESSORIES

**Hugo Lahme**

Perfection in every element.

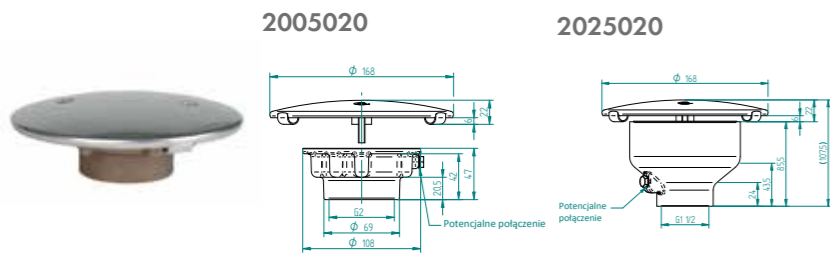


90° angle drains, V4A cover Ø168 mm - for foil and tile pools



Code	Colour	Description
2015020	Gunmetal	GW 2"
2015021	Bronze	GW 2"
2025120	Gunmetal	GW 1 1/2" DIN-EN standard
2025121	Bronze	GW 1 1/2" DIN-EN standard

drains with vertical outlet, cover V4A Ø 168 mm - for foil and tile pools



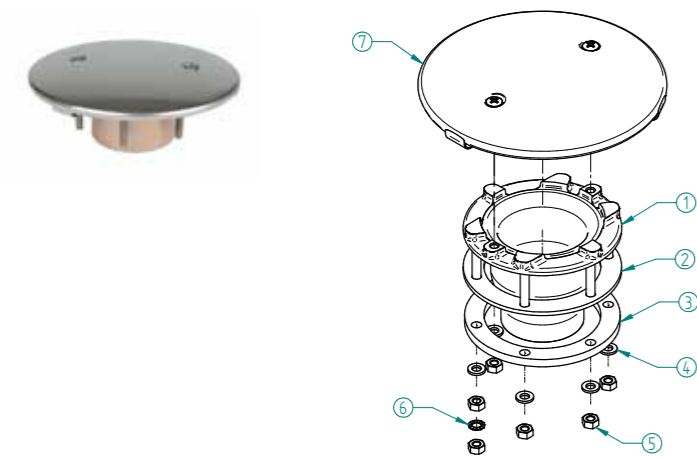
Code	Colour	Description
2005020	Gunmetal	GW 2"
2005021	Bronze	GW 2"
2025020	Gunmetal	GW 1 1/2" DIN-EN standard
2025021	Bronze	GW 1 1/2" DIN-EN standard

flanking set - for foil pools



Code	Colour	Description
2030050	Bronze	flushing of the drain bottom

drains with vertical outlet, cover V4A Ø 168 mm - for prefabricated swimming pools



Code	Colour	Description
2003020	Gunmetal	GW 1 1/2" DIN-EN standard
2003021	Bronze	GW 1 1/2" DIN-EN standard

## GUNMETAL AND BRONZE LED UNDERWATER LIGHTING

**Hugo Lahme**

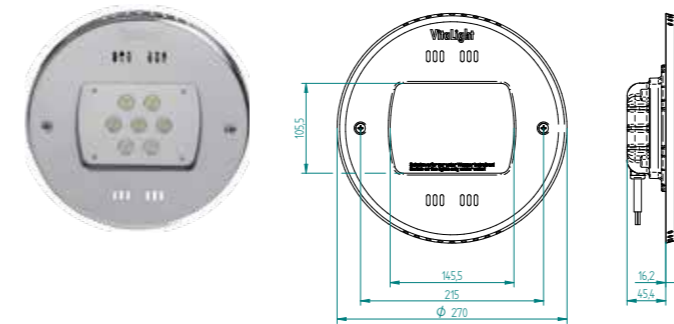
Perfection in every element.



VitaLight® underwater floodlights are designed for underwater use only. The recommended installation depth is 600 mm below water level.

lamp insert ø270 mm, grille in V4A steel, 5-metre 2x1.5mm² cable included

28/4er POWER LED

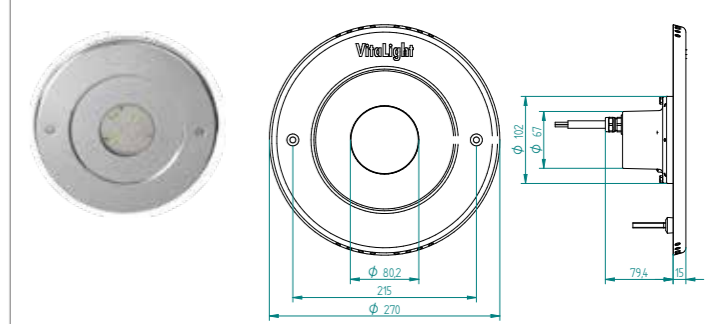


Code	Type of light	Material
4.40000020	cold white, 6000K	Gunmetal
4.40000021	14900 lumens	Bronze
4.440000020		V4A steel

Code	Type of light	Material
4.40000420	white warm, 3000K	Gunmetal
4.40000421	13900 lumens	Bronze

Code	Type of light	Material
4.40000220	RGBW- multiColour, (red-green-blue-white)	Gunmetal
4.40000221	11100 lumens	Bronze
4.440000220		V4A steel

16/4er POWER LED



Code	Type of light	Material
4.40201020	cold white, 6000K	Gunmetal
4.40201021	7900 lumens	Bronze
4.440201020		V4A steel

Code	Type of light	Material
4.40201420	white warm, 3000K	Gunmetal
4.40201421	6900 lumens	Bronze

Code	Type of light	Material
4.40201220	RGBW- multiColour, (red-green-blue-white)	Gunmetal
4.40201221	5500 lumens	Bronze
4.440201220		V4A steel

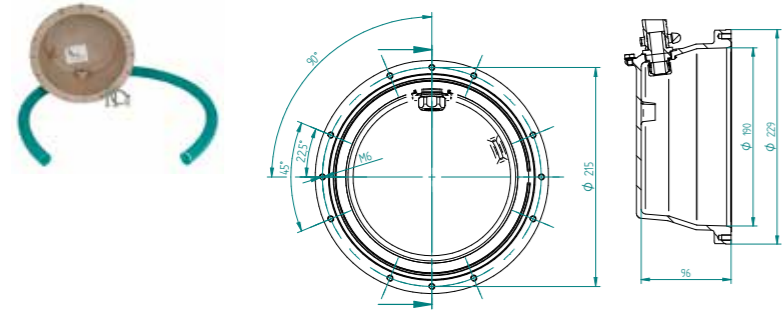


# ACCESSORIES

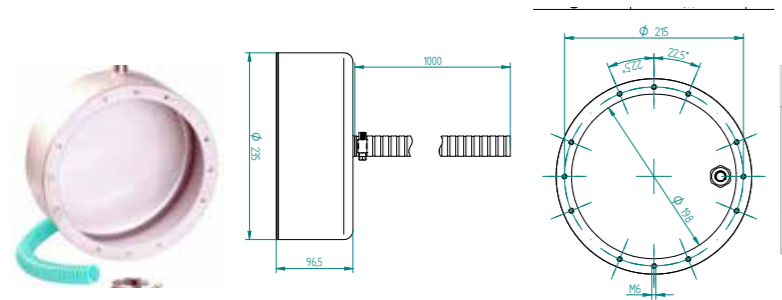
Dedicated to lamp posts  $\varnothing 270$  mm

## Hugo Lahme

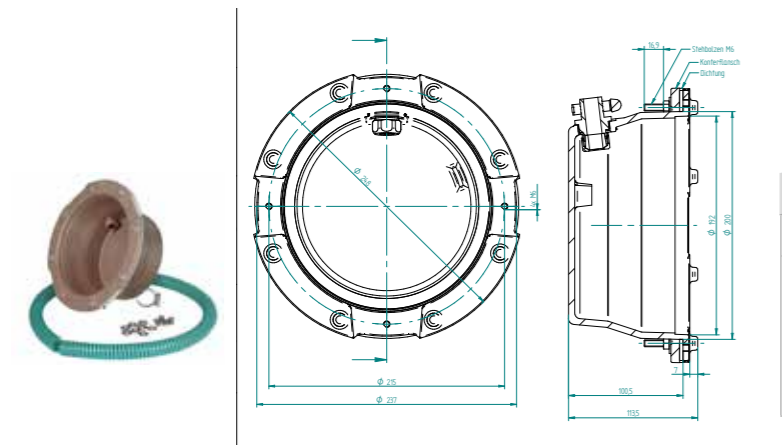
Perfection in every element.



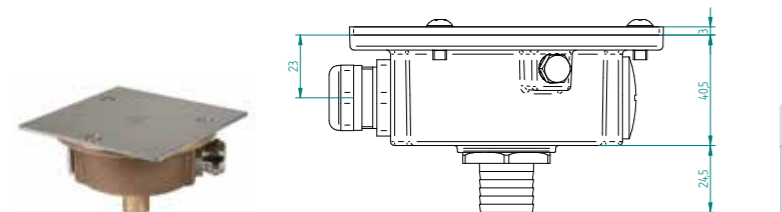
Code	Description	Material
4100050	Shelf life, 270 mm $\varnothing$ , for tile and foil pools, with protective wire.	Gunmetal
4100051	Shelf life, 270 mm $\varnothing$ , for tile and foil pools, with protective wire.	Bronze
4060050	Flanking kit for foil pools	Bronze



Code	Description	Material
4400020	Acid-resistant steel pool niche, $\varnothing 270$ mm, with protective bracket.	V4A steel
4060020	Flanking kit for steel pools	V4A steel



Code	Description	Material
4101050	Shelf life $\varnothing 270$ mm for swimming pools	Gunmetal
4101051	prefabricated swimming pools with protective sheet includes screws and locking flanges	Bronze



Code	Description	Material
4010020	Junction box with stainless steel cover	Gunmetal

## Hugo Lahme

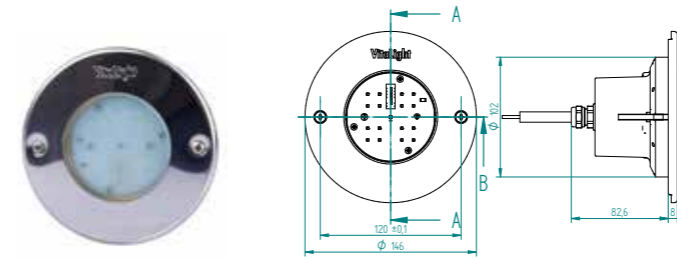
Perfection in every element.



lamp insert  $\varnothing 146$  mm, grille in V4A steel,

5-metre 2x1.5mm<sup>2</sup> cable included

16/4er POWER LED

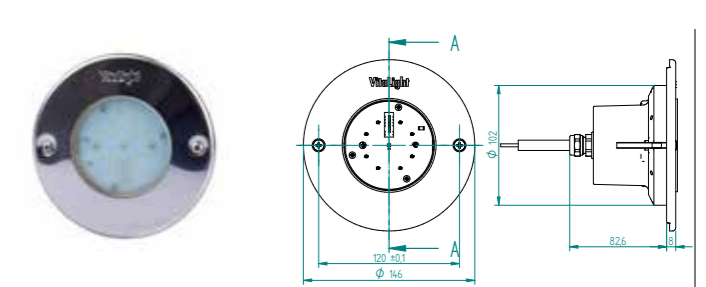


Code	Type of light	Material
4.40200020	Cold white, 6000K	Gunmetal
4.40200021	7900 lumens	Bronze
4.440200020		V4A steel

Code	Type of light	Material
4.40200420	White warm, 3000K	Gunmetal
4.40200421	6900 lumens	Bronze

Code	Type of light	Material
4.40200220	RGBW- multiColour, (red-green-blue-white) 5500 lumens	Gunmetal
4.40200221		Bronze
4.440200220		V4A steel

8/4er POWER LED



Code	Type of light	Material
4.40300020	Cold white, 6000K	Gunmetal
4.40300021	4300 lumens	Bronze

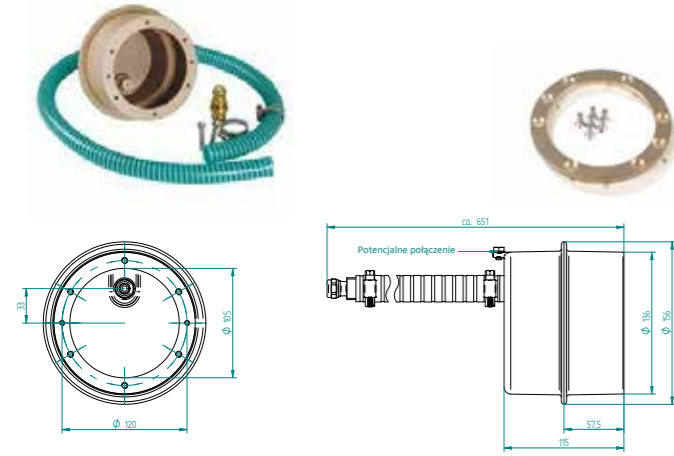
Code	Type of light	Material
4.40300420	White warm, 3000K	Gunmetal
4.40300421	3700 lumens	Bronze

Code	Type of light	Material
4.40300220	RGBW- multiColour, (red-green-blue-white) 3000 lumens	Gunmetal
4.40300221		Bronze

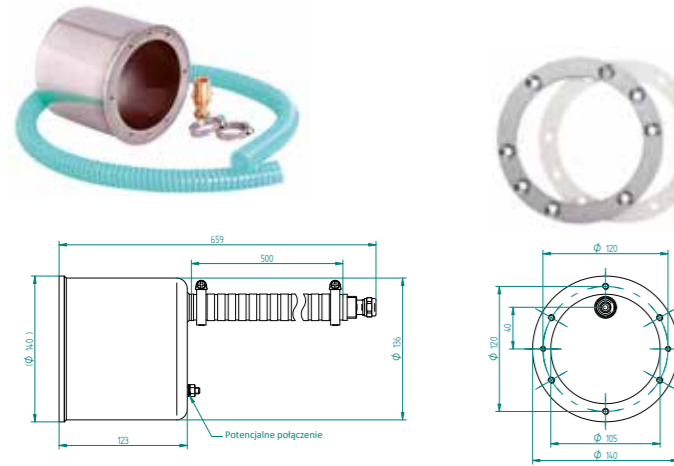


# ACCESSORIES

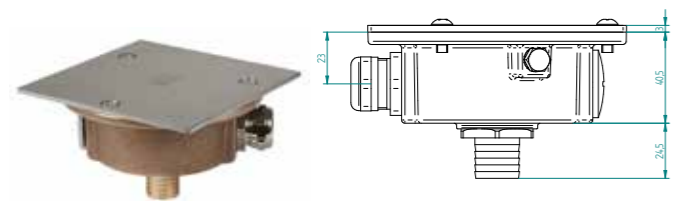
dedicated to lamp cartridges ø146 mm



Code	Description	Material
4266050	Basin ø146 mm for tile and foil swimming pools with protection hose	Gunmetal
4266051		Bronze
4267050	Flanking kit for foil pools	Bronze



Code	Description	Material
4266020	Acid-resistant steel swimming pool niche with protective bracket	V4A steel
4267020	Flanking kit for steel pools	V4A steel



Code	Description	Material
4010020	Junction box with stainless steel cover	Gunmetal



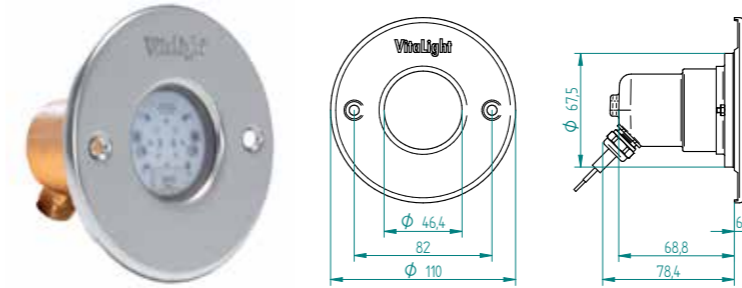
# Hugo Lahme

Perfection in every element.



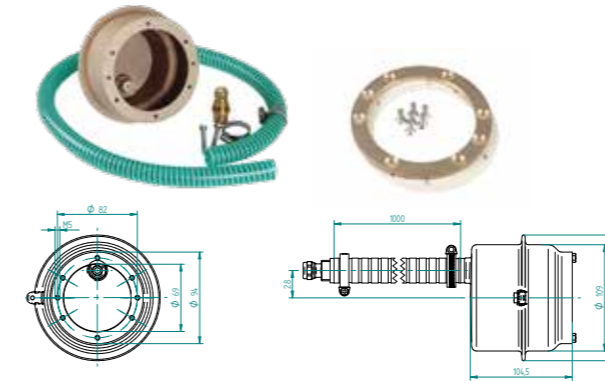
lamp insert ø110 mm, grille in V4A steel,  
5 m 2x0.75 mm<sup>2</sup> cable included

4/4er POWER LED - dedicated as stair lighting

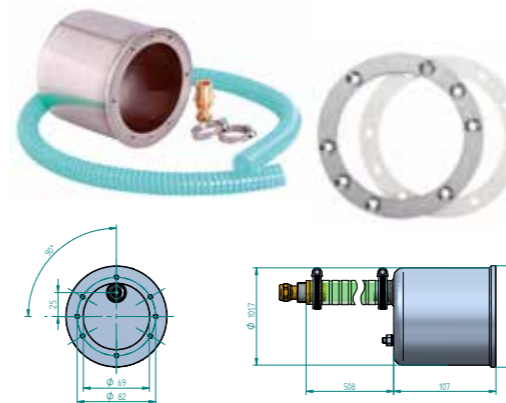


Code	Type of light	Material
4.40400020	Cold white, 6000K	Gunmetal
4.40400021	1890 lumens	Bronze
4.440400020		V4A steel
Code	Type of light	Material
4.40400420	White warm, 3000K	Gunmetal
4.40400421	1600 lumens	Bronze
Code	Type of light	Material
4.40400220	RGBW- multiColour, (red-green-blue-white)	Gunmetal
4.40400221	1220 lumens	Bronze
4.440400220		V4A steel

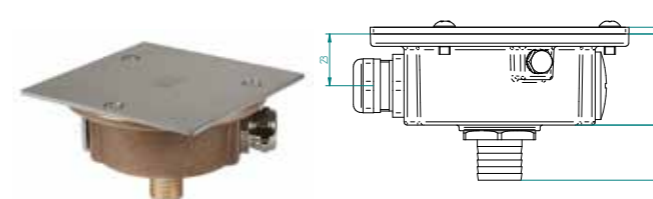
# ACCESSORIES



Code	Description	Material
4250050	Tile and foil swimming pool niche with pesch protection	Gunmetal
4250051		Bronze
4251050	Flanking kit for foil pools	Bronze



Code	Description	Material
4250020	Stainless steel swimming pool niche with protective corrugations	V4A steel
4251020	Flanking kit for steel pools	V4A steel



Code	Description	Material
4010020	Junction box with stainless steel cover	Gunmetal

**Supply table**

The table shows the number of lamps supported by each power supply type

Code / Lamp	40600150 ballast for RGBW lamps	40600050 power supply for lamps monochromatic white	40600250 sub-distributor with 4 clamps	40600350 additional power supply
Number of powered lamps				
28/4 er	2	2	—	—
16/4 er	4	4	—	—
8/4 er	4	4	+ 2	—
4/4 er	4	4	+ 4	2 only for monochrome white

**Control**



Code	Control	Description
536052	Dimmer	Colour changer / dimmer, up to 24V, for use with power supply (40600050)
Housings for dimmer available on request. Various variants.		



Code	Control	Description
40000050	Pilot	Includes antenna and cable, for use with ballast (40600150)



Code	Control	Description
576841	Modul DMX	For use with ballast (40600150)



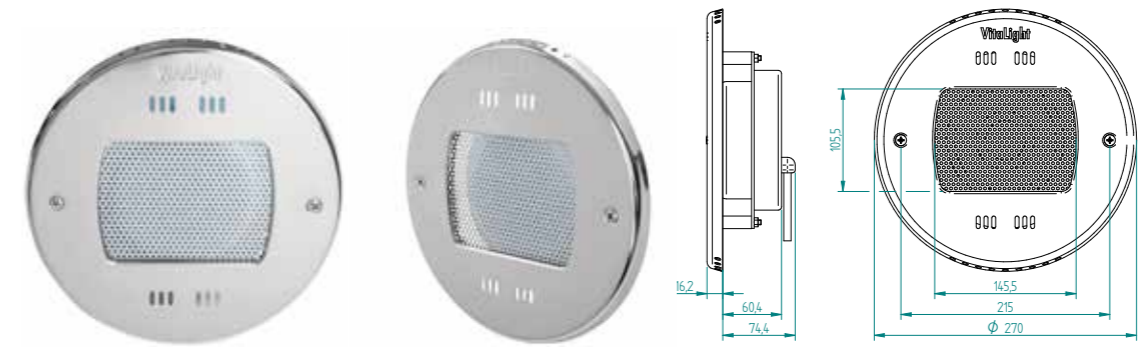
Code	Control	Description
579507	LED Touch Controller RGBW	For use with DMX module (576841)

**UNDERWATER SOUND SYSTEM**

Underwater loudspeaker IP 68

**USE OF UNDERWATER SOUND SYSTEMS  
IN MEDITATION AND RELAXATION ZONES**

Underwater sound systems are often used for meditation pools in spa areas, thermal baths and aquaparks. Such pools are usually shallow, with warm therapeutic thermal water. As we immerse ourselves, we perceive soft sounds and melodies, experiencing weightlessness in liquid sound. The water should not reach your mouth, but only envelop you pleasantly, evoking a feeling of support and warmth. It is particularly pleasant for bathers to let themselves be carried away and find the inner harmony of meditation.



Code	Description
4500020	Gunmetal
4500021	Bronze

**ACCESSORIES**

**Installation niche**  
for foil and tile pools



Code	Description
4100050	Gunmetal
4100051	Bronze

**Flange**  
for foil pools



Code	Description
4060050	Bronze

**Installation niche**  
for prefabricated swimming pools



Code	Description
4101050	Gunmetal
4101051	Bronze

**Installation nich**  
for steel, foil and tile pools



Code	Description
4400020	V4A steel

**Flange**



Code	Description
4060020	V4A steel

**Junction box**



Code	Description
4010020	Gunmetal

**Drowning detection system - video surveillance**

The diversity of users is forcing pool managers to organise their service offerings according to increasingly high quality standards and uncompromising safety standards. It is essential that swimmers and visitors can feel confident in a facility where safety standards are high, through constant supervision.

The biggest danger is the possibility of drowning in swimming pools. To protect swimmers, pool managers need to employ qualified staff. Supervision by lifeguards can be difficult due to various factors. Usually, the bottom of the pool is poorly visible, as reflected light and waves do not always allow a full view of what is happening underwater.

Lifeguards often get involved to support pool users. Walking around the pool to carry out an inspection can take up to five minutes, which is far too long for thorough checks to ensure that no one is at risk of drowning.

AngelEye is a safety system designed to monitor the activities of swimmers in swimming pools. It consists of cameras that detect the irregular movement of bodies in critical areas such as the bottom of the pool. A drowning person tends to sink inertly to the bottom. The AngelEye system can detect such movements and alert the staff responsible for user safety accordingly.

AngelEye underwater cameras are flat (8 mm).

The cameras are equipped with an 18er POWER LED 2.0 lighting system, which reduces the amount of construction work and the number of holes in the walls.

The lenses of each camera can be adjusted to scan every corner of the pool, reducing or eliminating possible critical 'blind spots' that are not visible to the system.

Typically, cameras are installed at a depth of 0.4 metres or in recesses already in the pool walls. All cameras are connected to a central processing unit.



We welcome enquiries. Each project is considered individually for the investor's requirements.



# LED UNDERWATER LIGHTING WITH ABS

For existing pools, without interfering with the basin structure.



Code	Description
502860	Lamp 60 LED white screwed into a nozzle or wall culvert which has a GW 1 1/2", GZ 1 1/2" connection.
502877	Lamp 90 LED Colour RGB (red-green-blue) screwed into a nozzle or wall culvert which has a GW 1 1/2", GZ 1 1/2" connection, remote control included
501498	Lamp 18 LED white applied to nozzle, transformer included
500699	Lamp 36 LED Colour RGB (red-green-blue) nozzle attachment, remote control and transformer included

## Premium transformers IP65 230 W/12 V



Code	Description
300/005M/ZL	Transformer 300 W
630/005M/ZL	Transformer 600 W
900/ZL	Transformer 900 W

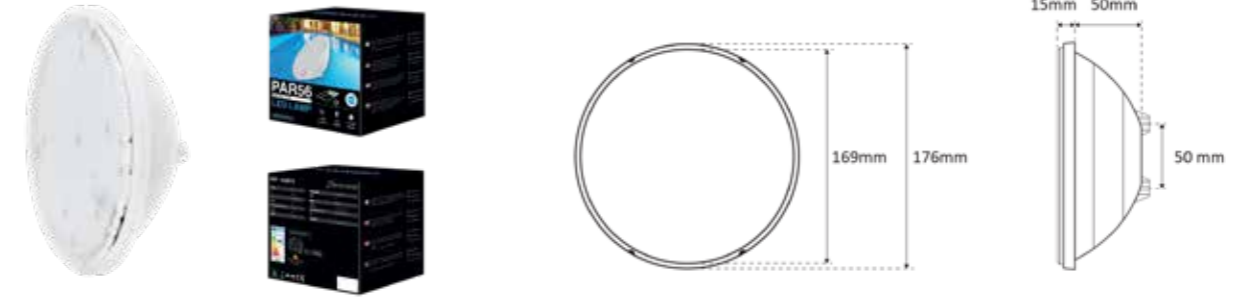
## Peszel konfekcjonowany - 1mb



Code	Description
111PESZ	Corrugated steel



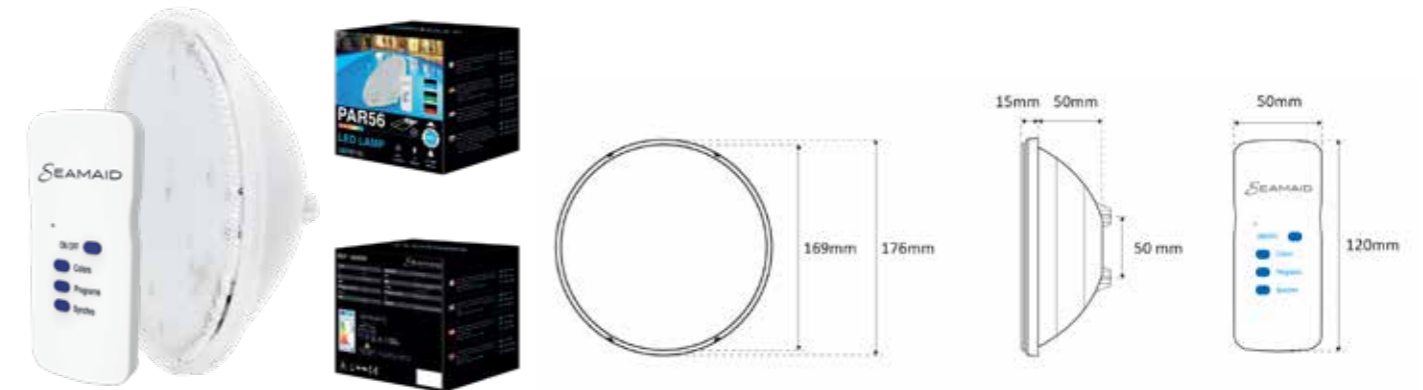
## LED bulb model Semaid PAR56 60 LED white



Code	Weight	Size	Pieces per carton	Weight	Size	Pieces per pallet	Pallet weight	Pallet size
502815	0.69kg	17x17x17cm	6	4,15kg	53x36x18cm	360	270kg	100x120x205cm



## LED bulb model Semaid PAR56 90 LED Colour RGB (red-green-blue) remote control



Code	Weight	Size	Pieces per carton	Weight	Size	Pieces per pallet	Pallet weight	Pallet size
502839	0.75kg	17x17x17cm	6	4,52kg	53x36x18cm	360	292kg	100x120x205cm



## Lamp controller



Code	Description
501801	Single-channel 2-button modulator as signal extension ~12 V (AC)/ 220 W, 24 V (DC)/450 W Dedicated to 15 white or RGB lamps
501818	Four-channel modulator with 8-button remote control, ~12 V (AC)/460 W, 24 V (DC)/ 930 W Dedicated to more than 30 lamps



## Water attractions

SELF ASSEMBLY KIT FOR COUNTERFLOW.....	121
INTAKES FOR WATER ATTRACTIONS.....	121
NIGER-KNG PUMPS.....	122
OSF - CONTROL FOR POOL ATTRACTIONS.....	123
COUNTERFLOWS AND ACCESSORIES.....	124
PUMPS FOR WATER ATTRACTIONS.....	144
PERLA MASSAGE PLATE.....	150
FUTURISTIC AQA FANTASY SPOUTS.....	152
STAINLESS STEEL CASCADES.....	160
COLOUR-CHANGING CASCADES.....	162
JET SWIM.....	165
TAIFUN AND TAIFUN-DUO.....	168
ACCESSORIES FOR TAIFUN AND TAIFUN-DUO.....	170
SWIMMING TURBINES.....	172
STAINLESS STEEL CASCADES.....	174
CONTROL FOR CASCADES.....	175
STAINLESS STEEL CANNONS.....	180
CONTROL FOR WATER CANNON.....	181
MASSAGE SYSTEM STANDARD.....	182
COMBI-WHIRL MASSAGE SYSTEM.....	184
AIR MASSAGE BENCHES.....	186
BOTTOM MASSAGE SYSTEM "GEJSER" AIR MASSAGE SYSTEM.....	188
THE SNAKE CASCADES.....	190
STEEL CASCADES.....	192
STAINLESS STEEL CANNONS.....	194
COUNTERFLOW PUMPS.....	195

## KRIPSOL AND HAYWARD PRODUCT LINE



### SELF ASSEMBLY KIT FOR COUNTERFLOW

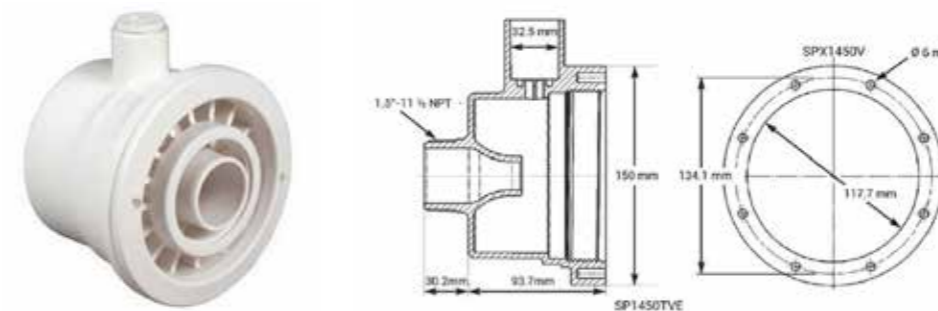
- Set of counterflow jets made of white ABS
- Purpose: foil pools
- Included: massage-pushing nozzle, suction- outline nozzle, pneumatic push-button nozzle for air suction.



Code  
06261030000

### Turbo Jet

Air/water hydromassage for foil pools



Code  
SP1450TVE

### INTAKES FOR WATER ATTRACTIONS



Code	Description	Flow
3319	for swimming pools foil	10m <sup>3</sup> /h

## NIGER-KNG PUMPS

### NIGER-KNG

Solution for recirculation up to 26<sup>m3</sup>/h

Applications: water features, hydro-massage, spas and general recirculation

Product information:

- noryl impeller, mechanical seal in AISI 316®
- motor protection degree IP55, class F
- connections included: Ø 50 or Ø 63 mm
- quiet operation
- the pump can be used in salt water

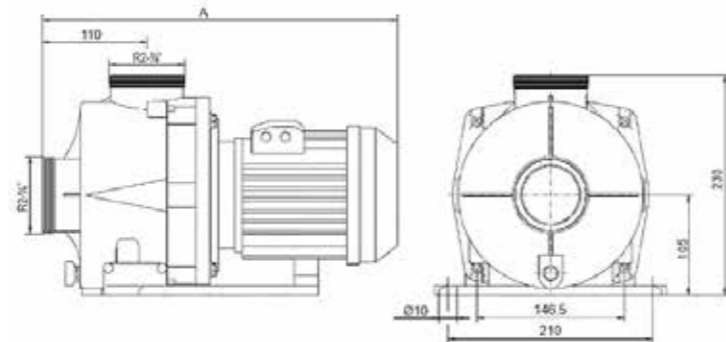
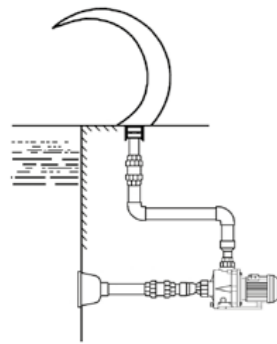


	Code	Model	P2 Hp	P1 kW	A (mm)	Flow (m <sup>3</sup> /h)*	Weight (kg)	Volume (m <sup>3</sup> )	Number of pcs. per pallet	M.O.Q**
ONE PHASE	010711420110	KNG 075DM	0.75	0.75	412	12	11.5	0.028	30	1
	010711520110	KNG 100DM	1.00	1	412	15.98	12	0.028	25	1
	010721120120	KNG 150DM	1.50	1.6	442	22.4	14.5	0.028	25	1
	010721220120	KNG 200DM	2.00	1.92	442	26.2	15.5	0.028	25	1
THREE-PHASE	010711450110	KNG 075DT1	0.75	0.75	412	12	11.5	0.028	25	1
	010771050110	KNG 100DT1 IE3	1.00	1	442	15.9	12	0.028	25	1
	010771150120	KNG 150DT1 IE3	1.50	1.6	442	22.4	14.5	0.028	25	1
	010771250120	KNG 200DT1 IE3	2.00	1.92	442	26.2	15	0.028	25	1

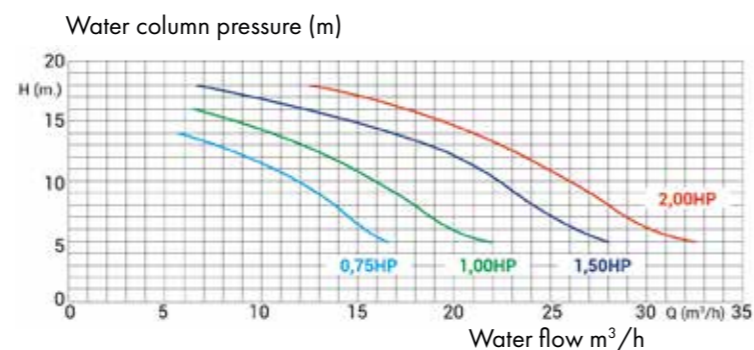
P1: Input power P2: Rated power

\* 10m Water column pressure

\*\* M.O.Q Minimum Order Quantity



Technical Specifications	
Max. water temp. / Max. Flow	50°C / 2,5 bar
Connection	Ø 50 lub 63 mm
Sealing mechanical	AISI 316, Suitable for salt water
Motor drive specifications	Klasa F, IP55, 50 Hz, 2.850 rpm
Housing / Rotor	PP + F.G./Noryl®



## OSF - CONTROL FOR POOL ATTRACTIONS

### Attraktion-Control.plus

Controller to switch up to 3 water attractions.

There are several options for switching each of the pool's functions: via an external touch control panel (Smart), using the electrical buttons mounted by the pool, from the PC-45-exclusiv display and via the Internet (LAN connection). Each switching output has both a run-time limiter and a timer.



Technical Specifications	
Power supply	230V lub 400V/50Hz
Switch performance	potential-free 8A
External buttons	12V
Protection class	IP 40
Housing dimensions	220 x 285 x 85 mm
Internet connection	LAN
Code	310.010.0010

### Attraktion-Control.NET

Electronic controller for switching up to 6 water attractions. The switching output can be switched from an external control panel, via buttons at the edge of the pool or via the internet. An operating time limit and timer are provided for each switching output. For each button on the graphic display, a symbol can be selected from a selection menu. The nearest waterproof electrical switch is suitable as an operating element.



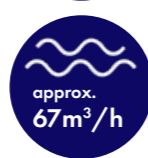
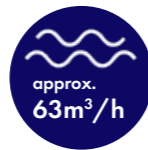
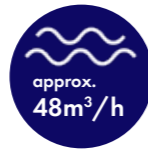
Technical Specifications	
Rated voltage	1/N/PE/230V/50Hz
3 outputs potential-free	8A 230V Ac3
3 outputs 230V	230V 3A AC3
Possibility to connect 6 external buttons	Low-voltage protection 12V
3x entry of attractions water attractions	230V
Internet connection	RJ-45
Protection class	IP 40
Housing dimensions	220 x 220 x 100 mm
Temperature range	+10°C – + 40°C
Moisture	0 – 95%
Code	310.610.0000

Counterflows are devices that generate a powerful jet of water that can be individually adjusted. The possibility of installing them even in a small pool provides users with unlimited space like on a swimming lane - pool without limits! Swimming against the current is a professional exercise workout that improves circulation and the musculoskeletal system. The counter-current also acts as a hydro-massage, relaxing tense muscles and guaranteeing relaxation at home.

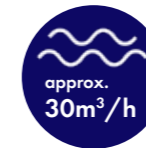
## CALIPSO

- Easy installation with ABS
- Equipped with grille, Ø40mm swivel nozzle, air supply, jet pump, pneumatic control box, connection material (without pipes)
- For concrete and foil pools

Code	Description
062231150000	Counterflow Calipso JC45 230 Volt, P1 = 2,76 kW
062251450000	Counterflow Calipso JC70 400 V, P1 = 3,26 kW
062261550000	Counterflow Calipso JC78 400 Volt, P1 = 4,04 kW



## Aqua Flow Jet



### Information and product:

- Easy installation thanks to the use of bonded pipes
- Can be installed in all above-ground pools
- It has an adjustable nozzle
- High safety thanks to pneumatic control
- Possibility to switch the counterflow on/off directly from the pool

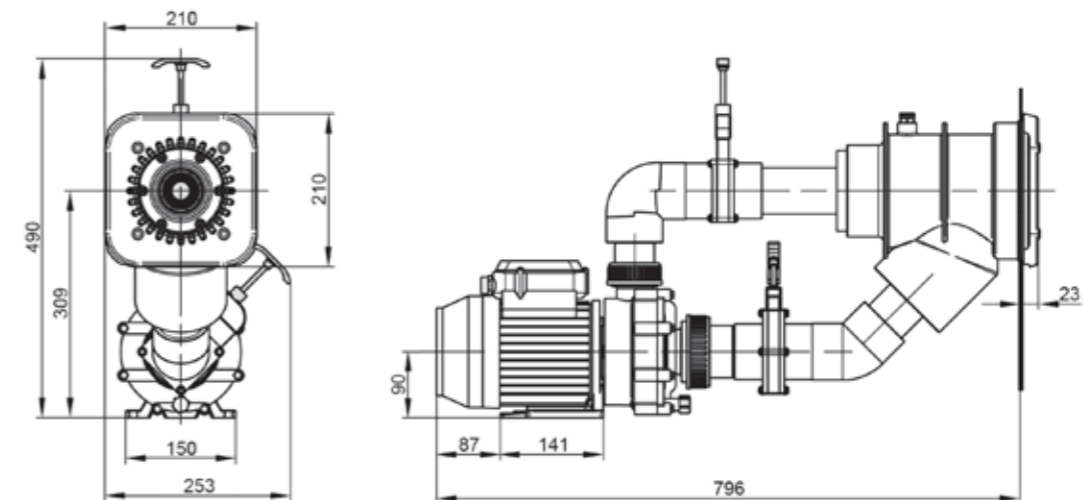
### Technical data:

- Voltage: 1~ 230 V
- Input power P1: 1,20 kW
- Output power P2: 0,80 kW
- Nozzle flow pressure: 0,40 bar
- Flow rate 2 m from the nozzle: 0,70m/s
- Massage pressure: max. 1,30 bar



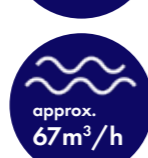
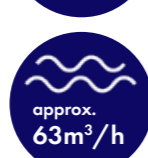
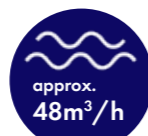
Code  
2304979012

Technical drawing. Data given in mm



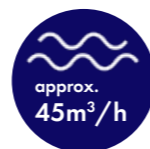
## SENA

Code	Description
062031150000	Counterflow Sena JS45 230 V, P1 = 2,76 kW
062051450000	Counterflow Sena JS70 400 Volt, P1 = 3,26 kW
062061550000	Counterflow Sena JS78 400 Volt, P1 = 4,04 kW



**BADU®JET Smart**

Compact device for beginners



**Scope of application:**

For installation in the walls of all pool models. It is multifunctional: for fitness training, as a wave or bubble bath, for underwater massage (consult your doctor) for swimming in place - even in the smallest pool.

**Design:**

The powerful jet pump is connected by suction and pressure pipes to the mounting niche, which is mounted flush with the pool wall. The BADU pump draws in the water and directs it back into the pool with a powerful jet through an adjustable nozzle that rotates 60° in each direction. The large number of holes around the nozzle housing guarantees an extremely low initial flow. Front of counterflow made of ABS. Pneumatic control.



Code	Description	Voltage	Output power P2
232.1100.000	BADU JET SMART pre-assembly kit		
232.0400.000	BADU JET SMART end set	1~ 230 V	1.60 kW
230.0200.000	BADU JET SMART end set	3 N~ 400/230 V	2.20 kW

**Pre-assembly kit:**

- Plastic housing
- Clamping ring, screws and gaskets

**End set:**

- Complete housing
- with adjustable nozzle and screws
- Cover in ABS
- Suction/pressure line 63 mm
- Switching device
- Pump BADU 21-50/44 GT 27° or BADU 21-50/43 GT 27°

**Technical data at 50 Hz**

Voltage	3 N~ 400/230 V	1~ 230 V
Pump type	21-60/45 GT 27°	21-60/44 GT 27°
Pump flow (m³/h)	58	54
Input power P <sub>1</sub> / output P <sub>2</sub> (kW)	3.18/2.60	2.89/2.20
Number of nozzles (Ø 40 mm)	1	1
Flow pressure at the nozzle (bar)	1.10	1.00
Flow velocity* (m/s)	1.20	1.10
Massage pressure (bar) max.	1.60	1.40WW
Rotary nozzle adjustment (degrees)	60	60
Maximum salt content	0.066 % / 0,66 g/l	

\* Flow velocity in the central part of the counterflow, at a distance of 2 metres from the nozzle.

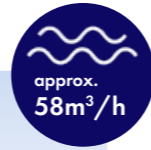
**Accessories**



Accessories	
230.0010.000	Stainless steel handle for BADU JET Smart, 25 x 250 mm
230.0001.000	Massage hose, Ø 40 mm, length 1.5 m
230.0003.000	Massage hose, pulse, Ø 40 mm, length 1.5 m
230.0022.000	Nozzle cap Ø 40 mm
232.0000.503	BADU JET wireless control II - remote cheese plants

**BADU®JET Wave**

High-performance unit with LED lighting.



**Scope of application:**

For installation in the walls of all pool models. It is multifunctional: for fitness training, as a wave or bubble bath, for underwater massage (consult your doctor) for swimming in place - even in the smallest pool.

**Design:**

The large number of holes around the nozzle housing guarantees an extremely low initial flow. The attractive BADU JET Wave cover made of high-quality plastic is an attractive alternative to the BADU JET Vogue. A pneumatic on/off switch and an air regulator are integrated into the nozzle housing to ensure a sparkling bubble bath effect.



Code	Description	Voltage	Power output P <sub>2</sub>
232.1100.000	BADU JET Wave pre-assembly kit		
232.0400.000	BADU JET Wave end set- LED white	1~ 230 V	2.20 kW
232.3420.000	BADU JET Wave end set- LED multicolour	1~ 230 V	2.20 kW
232.3200.000	BADU JET Wave end set- LED white	3 N~ 400/230 V	2.60 kW
232.3220.000	BADU JET Wave end set- LED multicolour	3 N~ 400/230 V	2.60 kW

**Pre-assembly kit:**

- Plastic housing
- Clamping ring, screws and gaskets

**End set:**

- Complete housing with adjustable nozzle and screws
- Cover in ABS
- Suction/pressure line 63 mm
- Switching device
- Pump BADU 21-60/45 GT 27° or BADU 21-60/44 GT 27°

Technical data at 50 Hz

Voltage	3 N~ 400/230 V	1~ 230 V
Pump type	21-60/45 GT 27°	21-60/44 GT 27°
Pump flow (m³/h)	58	54
Input power P <sub>1</sub> / output P <sub>2</sub> (kW)	3.18/2.60	2.89/2.20
Number of nozzles (∅ 40 mm)	1	1
Flow pressure at the nozzle (bar)	1.10	1.00
Flow velocity* (m/s)	1.20	1.10
Massage pressure (bar) max.	1.60	1.40WW
Rotary nozzle adjustment (degrees)	60	60
Maximum salt content	0.066 % / 0,66 g/l	

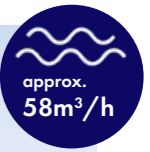
\* Flow velocity in the central part of the counterflow, at a distance of 2 metres from the nozzle.



Code	Description
232.3000.402	Stainless steel handle for BADU JET Wave
230.0001.000	Massage hose, ∅ 40 mm, length 1.5 m
230.0003.000	Massage hose, pulse, ∅ 40 mm, length 1.5 m
230.0022.000	Nozzle cap ∅ 40 mm
232.0000.503	BADU JET wireless control II- remote cheese plants

**BADU®JET Vogue**

Attractive design awarded with Red Dot award\*



**Scope of application:**

For installation into the walls of all pool models. Multifunctional equipment: for fitness training, as a wave or bubble bath, for underwater massage (consult your doctor), for swimming in place - even in the smallest pool.

**Design:**

The powerful jet pump is connected by suction and pressure pipes to the mounting niche, which is mounted flush with the pool wall. The BADU pump draws in the water and directs it back into the pool in a powerful jet through an adjustable nozzle that rotates 60° in each direction. The large number of openings around the nozzle housing guarantees an extremely low initial flow. The front of the counterflow is made of stainless steel. Nozzle and knob made of ABS. Pneumatic control. The built-in LED light can be operated directly from the pool or via a pneumatic switch. The combination of lighting and adjustable air bubbles creates a relaxing atmosphere.



\* Red Dot Award - awarded by the Design Zentrum Nordrhein-Westfalen in Essen, Germany. One of the most prestigious awards in the field of industrial design.

Code	Description	Voltage	Power output P <sub>2</sub>
232.1100.000	BADU JET Vogue pre-assembly kit	-	-
232.2400.000	BADU JET Vogue end set- LED white	1~ 230 V	2.20 kW
232.2420.000	BADU JET Vogue end set- LED multicolour	1~ 230 V	2.20 kW
232.2200.000	BADU JET Vogue end set- LED white	3 N~ 400/230 V	2.60 kW
232.2220.000	BADU JET Vogue end set- LED multicolour	3 N~ 400/230 V	2.60 kW

**Pre-assembly kit:**

- Plastic housing
- Clamping ring, screws and gaskets

**End set:**

- Complete housing with adjustable nozzle and screws
- Stainless steel lid
- Suction/pressure line 63 mm
- Switching device
- Pump BADU 21-60/45 GT 27° or BADU 21-60/44 GT 27°

Technical data at 50 Hz

Voltage	3 N~ 400/230 V	1~ 230 V
Pump type	21-60/45 GT 27°	21-60/44 GT 27°
Pump flow (m³/h)	58	54
Input power P <sub>1</sub> / output P <sub>2</sub> (kW)	3.18/2.60	2.89/2.20
Number of nozzles (∅ 40 mm)	1	1
Flow pressure at the nozzle (bar)	1.10	1.00
Flow velocity* (m/s)	1.20	1.10
Massage pressure (bar) max.	1.60	1.40
Rotary nozzle adjustment (degrees)	60	60
Maximum salt content	0.066 % / 0,66 g/l	

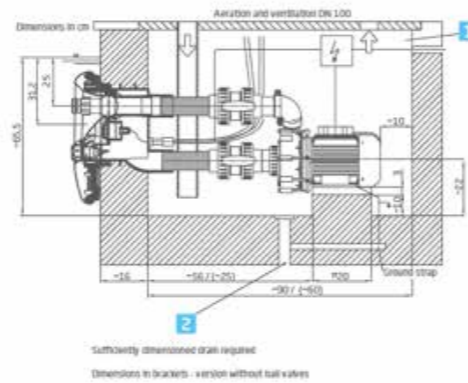
\* Flow velocity in the central part of the counterflow, at a distance of 2 metres from the nozzle.



Code	Description
232.2000.402	Stainless steel handle for BADU JET Vogue
230.0001.000	Massage hose, Ø 40 mm, length 1.5 m
230.0003.000	Massage hose, pulse, Ø 40 mm, length 1.5 m
230.0022.000	Nozzle cap Ø 40 mm
232.0000.503	BADU JET wireless control II- remote cheese plants

\*Accessories to be ordered separately, not part of the kit

Recommended installation example



**BADU<sup>®</sup>JET Vogue Deluxe**

Expanded version of BADU JET Vogue with a touch of luxury

approx.  
58m<sup>3</sup>/h

**Scope of application:**

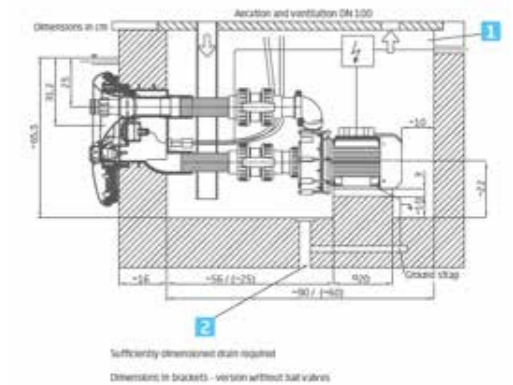
For installation into the walls of all pool models. Multifunctional equipment: for fitness training, as a wave or bubble bath, for underwater massage (consult your doctor), for swimming in place - even in the smallest pool.

**Design:**

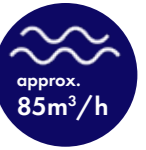
The design range corresponds to the BADU JET Vogue model. The deluxe version has a nozzle and control elements made of stainless steel, while the buttons are piezo-electric.



Recommended installation example



Code	Description	Voltage	Output power P2
232.1100.000	BADU JET Vogue Deluxe pre-assembly kit		
232.4400.000	BADU JET Vogue Deluxe end set- LED white	1~ 230 V	2.20 kW
232.4420.000	BADU JET Vogue Deluxe end set- LED multicolour	1~ 230 V	2.20 kW
232.4200.000	BADU JET Vogue Deluxe end set- LED white	3 N~ 400/230 V	2.60 kW
232.4220.000	BADU JET Vogue Deluxe end set- LED multicolour	3 N~ 400/230 V	2.60 kW



**Pre-assembly kit:**

- Plastic housing
- Clamping ring, screws and gaskets

**End set:**

- Complete housing with adjustable nozzle and screws
- Stainless steel lid
- Suction/pressure line 63 mm
- Switching device
- Pump BADU 21-60/45 GT 27° lub BADU 21-60/44 GT 27°

Technical data at 50 Hz

Voltage	3 N~ 400/230 V	1~ 230 V
Pump type	21-60/45 GT 27°	21-60/44 GT 27°
Pump flow (m³/h)	58	54
Input power P <sub>1</sub> / output P <sub>2</sub> (kW)	3.18/2.60	2.89/2.20
Number of nozzles (Ø 40 mm)	1	1
Flow pressure at the nozzle (bar)	1.10	1.00
Flow velocity* (m/s)	1.20	1.10
Massage pressure (bar) max.	1.60	1.40
Rotary nozzle adjustment (degrees)	60	60
Maximum salt content	0.066 % / 0,66 g/l	

\* Flow velocity in the central part of the counterflow, at a distance of 2 metres from the nozzle.



Code	Description
232.2000.402	Stainless steel handle for BADU JET Vogue
230.0001.000	Massage hose, Ø 40 mm, length 1.5 m
230.0003.000	Massage hose, pulse, Ø 40 mm, length 1.5 m
230.0022.000	Nozzle cap Ø 40 mm
232.0000.503	BADU JET wireless control II- remote cheese plants

\*Accessories to be ordered separately, not part of the kit

**BADU®JET Primavera**

Optimum performance for ambitious swimmers

**Scope of application:**

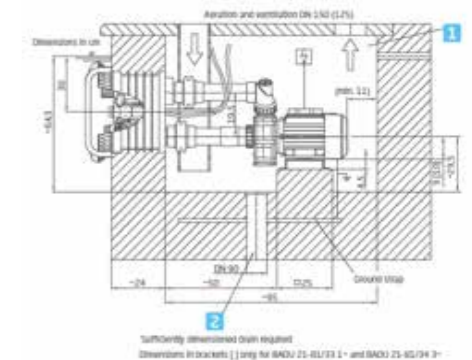
For installation into the walls of all pool models. It is multifunctional: for fitness training, as a wave or bubble bath, for underwater massage (consult your doctor) for swimming in place - even in the smallest pool.

**Design**

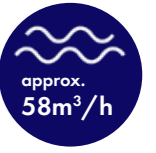
The powerful jet pump is connected by suction and pressure pipes to the mounting niche, which is mounted flush with the pool wall. The BADU pump draws in the water and directs it back into the pool with a powerful jet through an adjustable nozzle that rotates 60° in each direction. The large number of holes around the nozzle housing guarantees an extremely low initial flow. The integrated LED light can be operated directly from the pool or via a pneumatic switch. The combination of the lighting function and the possibility to adjust the air bubbles offers the possibility to create a relaxing atmosphere.



Recommended installation example



Code	Description	Voltage	Output power P2
232.6100.000	BADU JET Primavera pre-assembly kit		
232.7400.000	BADU JET Primavera end set- LED white	1~ 230 V	3.00 kW
232.7420.000	BADU JET Primavera end set- LED multicolour	1~ 230 V	3.00 kW
232.7200.000	BADU JET Primavera end set- LED white	3 N~ 400/230 V	3.00 kW
232.7220.000	BADU JET Primavera end set- LED multicolour	3 N~ 400/230 V	3.00 kW
232.7800.000	BADU JET Primavera end set- LED white	3 N~ Δ 400 V	4.00 kW
232.7820.000	BADU JET Primavera end set- LED multicolour	3 N~ Δ 400 V	4.00 kW



**Pre-assembly kit:**

- Plastic housing
- Clamping ring, screws and gaskets
- Shut-off valve

**End set:**

- Complete housing with two adjustable nozzles and screws
- Stainless steel lid
- Suction/pressure line 75 mm
- Switching device
- Pump BADU 21-81/33 G 29° or BADU 21-81/34 G 29°
- Handrail and waterproof remote control BADU JET wireless control II

Technical data at 50 Hz

Voltage	3 N~ 400/230 V/1~ 230 V	3 N~ Δ 400 V
Pump type	21-81/33 G 29°	21-81/34 G 29°
Pump flow (m³/h)	75	85
Input power P <sub>1</sub> / output P <sub>2</sub> (kW)	3.74/3.00 / 3.90/3.00	4.55/4.00
Number of nozzles (Ø 40 mm)	2	2
Flow pressure at the nozzle (bar)	1.00	1.00
Flow velocity* (m/s)	1.10	1.20
Massage pressure (bar) max.	1.60	1.80
Rotary nozzle adjustment (degrees)	60	60
Maximum salt content	0.066 % / 0,66 g/l	

\* Flow velocity in the central part of the counterflow, at a distance of 2 metres from the nozzle.



Code	Description
230.0001.000	Massage hose, Ø 40 mm, length 1.5 m
230.0003.000	Massage hose, pulse, Ø 40 mm, length 1.5 m
230.0022.000	Nozzle cap Ø 40 mm
232.0000.503	BADU JET wireless control II- remote cheese plants

\* Accessories to be ordered separately, not part of the kit



**BADU®JET Primavera Deluxe**

An extended version of BADU JET Primavera with a touch of luxury

**Scope of application:**

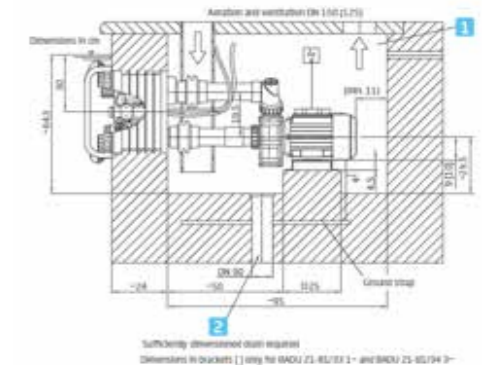
For installation into the walls of all pool models. It is multifunctional: for fitness training, as a wave or bubble bath, for underwater massage (consult your doctor) for swimming in place - even in the smallest pool.

**Design:**

The design range corresponds to the BADU JET Primavera model. The deluxe version has stainless steel nozzles and controls, while the buttons are piezo-electric.



Recommended installation example



Code	Description	Voltage	Output power P2
232.6100.000	BADU JET Primavera Deluxe pre-assembly kit		
232.7401.000	BADU JET Primavera Deluxe end set- LED white	1~ 230 V	3.00 kW
232.7421.000	BADU JET Primavera Deluxe end set- LED multicolour	1~ 230 V	3.00 kW
232.7201.000	BADU JET Primavera Deluxe end set- LED multicolour	3 N~ 400/230 V	3.00 kW
232.7221.000	BADU JET Primavera Deluxe end set- LED white	3 N~ 400/230 V	3.00 kW
232.7801.000	BADU JET Primavera Deluxe end set- LED white	3 N~ Δ 400 V	4.00 kW
232.7821.000	BADU JET Primavera Deluxe end set- LED multicolour	3 N~ Δ 400 V	4.00 kW

**Pre-assembly kit:**

- Plastic housing
- Clamping ring, screws and gaskets
- Shut-off valve

**End set:**

- Complete housing with two adjustable nozzles and screws
- Stainless steel lid
- Suction/pressure line 75 mm
- Switching device
- Pump BADU 21-81/33 G 29° or BADU 21-81/34 G 29°
- Handrail and waterproof remote control BADU JET wireless control II

Technical data at 50 Hz

Voltage	3 N~ 400/230 V/1~ 230 V	3 N~ Δ 400 V
Pump type	21-81/33 G 29°	21-81/34 G 29°
Pump flow (m <sup>3</sup> /h)	75	85
Input power P <sub>1</sub> / output P <sub>2</sub> (kW)	3.74/3.00 / 3.90/3.00	4.55/4.00
Number of nozzles (∅ 40 mm)	2	2
Flow pressure at the nozzle (bar)	1.00	1.00
Flow velocity* (m/s)	1.10	1.20
Massage pressure (bar) max.	1.60	1.80
Rotary nozzle adjustment (degrees)	60	60
Maximum salt content	0.066 % / 0,66 g/l	

\* Flow velocity in the central part of the counterflow, at a distance of 2 metres from the nozzle.



Code	Description
230.0001.000	Massage hose, ∅ 40 mm, length 1.5 m
230.0003.000	Massage hose, pulse, ∅ 40 mm, length 1.5 m
230.0022.000	Nozzle cap ∅ 40 mm
232.0000.503	BADU JET wireless control II- remote cheese plants

\*Accessories to be ordered separately, not part of the kit



**BADU®JET Active Version 2**

Compact device for beginners.

**Scope of application:**

It is multifunctional: for fitness training, as a wave or bubble bath, for underwater massage (consult your doctor) for swimming in place - even in the smallest pool.

**Design:**

The water is drawn in through the suction inlet at the bottom of the unit using a powerful pump and directed back into the pool in a powerful jet through an adjustable nozzle.

Code	Description	Voltage	Output power P2
231.5100.000	BADU JET Active Version 2	1~ 230 V	0.75 kW

Technical data at 50 Hz

Pump type	21-40/54 H
Pump flow (m <sup>3</sup> /h)	20
Voltage	1~ 230 V
Input power P <sub>1</sub> / output P <sub>2</sub> (kW)	1.10/0.75
Number of nozzles (∅ 28 mm)	1
Flow pressure at the nozzle (bar)	0.80
Flow velocity* (m/s)	0.80
Massage pressure (bar) max.	1.20
Rotary nozzle adjustment (degrees)	60
Weight netto (kg)	21.00

\* Flow velocity in the central part of the counterflow, at a distance of 2 metres from the nozzle.



Code	Description
233.1500.000	Telescopic leg
230.0002.000	Massage hose, ∅ 28 mm, length 1.5 m
230.0004.000	Massage hose, pulse, ∅ 28 mm, length 1.5 m
230.0023.000	Nozzle cap ∅ 28 mm

## BADU®JET Perla

Suspended counterflow for small pools

### Scope of application:

For installation into the walls of all pool models. It is multifunctional: for fitness training, as a wave or bubble bath, for underwater massage (consult your doctor) for swimming in place - even in the smallest pool.

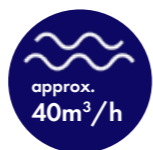
### Design

The water is sucked in through the suction inlet at the bottom of the unit using a powerful pump and is funnelled back into the pool with a powerful jet through an adjustable nozzle. The BADU JET Perla is equipped with lighting and a high-quality, easy-care woodgrain surface. It is controlled by a pneumatic switch.

Code	Description	Voltage	Output power P2
231.7600.000	Suspended counterflow Speck, BADU Jet Perla- LED white	1~ 230V	1.6 kW
231.7620.000	Suspended counterflow Speck, BADU Jet Perla- LED multicolour	1~ 230V	1.6 kW
231.7500.000	Suspended counterflow Speck, BADU Jet Perla- LED white	3~ 400/230V	1.6 kW
231.7520.000	Suspended counterflow Speck, BADU Jet Perla- LED multicolour	3~ 400/230 V	1.6 kW
231.9851.000	Telescopic leg for Speck counterpools, for above-ground pools		

Technical data at 50 Hz

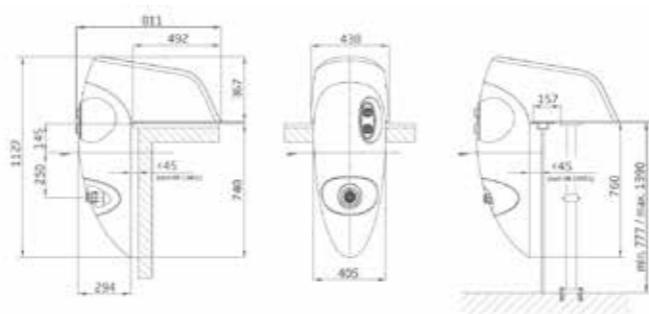
Voltage	3 N~ 400/230 V	1~ 230 V
Pump type	21-81/31 RG	21-81/31 RG
Pump flow (m³/h)	40	40
Input power P <sub>1</sub> / output P <sub>2</sub> (kW)	2.07/1.60	2.12/1.60
Number of nozzles (Ø 40 mm)	1	1
Flow pressure at the nozzle (bar)	0.90	0.90
Flow velocity* (m/s)	1.10	1.10
Massage pressure (bar) max.	1.20	1.20
Rotary nozzle adjustment (degrees)	60	60
Maximum salt content	0.066 % / 0,66 g/l	



**SPECK**  
pumpen

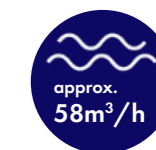


\* Flow velocity in the central part of the counterflow, at a distance of 2 metres from the nozzle.



Code	Description
231.9851.000	Telescopic foot for above-ground pools
230.0001.000	Massage hose, Ø 40 mm, length 1.5 m
230.0003.000	Massage hose, pulse, Ø 40 mm, length 1.5 m
230.0022.000	Nozzle cap Ø 40 mm

**SPECK**  
pumpen



## BADU®JET Riva

Suspended counterflow for medium-sized swimming pools

### Scope of application:

For installation into the walls of all pool models. It is multifunctional: for fitness training, as a wave or bubble bath, for underwater massage (consult your doctor) for swimming in place - even in the smallest pool.

### Design:

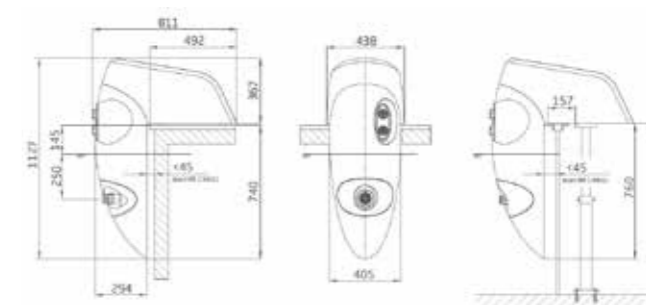
The water is sucked in through the suction inlet at the bottom of the unit using a powerful pump and is funnelled back into the pool with a powerful jet through an adjustable nozzle. The BADU JET Riva is equipped with lighting and a high-quality, easy-care woodgrain cover. It is controlled by a pneumatic switch.

Code	Description	Voltage	Output power P2
231.8600.000	BADU JET Riva- LED white	1~ 230 V	2.20 kW
231.8620.000	BADU JET Riva- LED multicolour	1~ 230 V	2.20 kW
231.8500.000	BADU JET Riva- LED white	3 N~ 400/230 V	2.60 kW
231.8520.000	BADU JET Riva- LED multicolour	3 N~ 400/230 V	2.60 kW

Technical data at 50 Hz

Voltage	3 N~ 400/230 V	1~ 230 V
Pump type	21-81/32 G	21-81/32 RG
Pump flow (m³/h)	40	40
Input power P <sub>1</sub> / output P <sub>2</sub> (kW)	2.07/1.60	2.12/1.60
Number of nozzles (Ø 40 mm)	1	1
Flow pressure at the nozzle (bar)	0.90	0.90
Flow velocity* (m/s)	1.10	1.10
Massage pressure (bar) max.	1.20	1.20
Rotary nozzle adjustment (degrees)	60	60
Maximum salt content	0.066 % / 0,66 g/l	

\* Flow velocity in the central part of the counterflow, at a distance of 2 metres from the nozzle.



Code	Description
231.9851.000	Telescopic foot for above-ground pools
230.0001.000	Massage hose, Ø 40 mm, length 1.5 m
230.0003.000	Massage hose, pulse, Ø 40 mm, length 1.5 m
230.0022.000	Nozzle cap Ø 40 mm

**BADU®JET Stella**

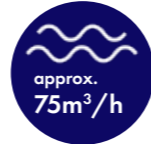
Suspended counterflow for large pools

**Scope of application:**

For installation into the walls of all pool models. It is multifunctional: for fitness training, as a wave or bubble bath, for underwater massage (consult your doctor) for swimming in place - even in the smallest pool.

**Design:**

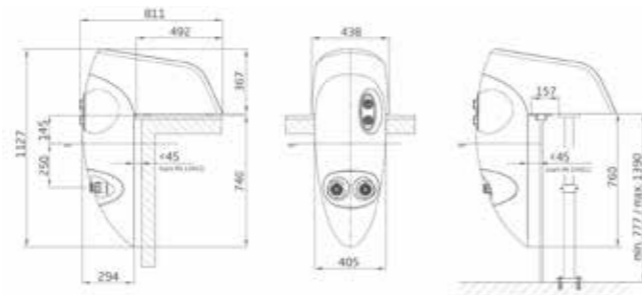
The water is sucked in through the suction inlet at the bottom of the unit with a powerful pump and is funnelled back into the pool with a powerful jet through two adjustable nozzles. The BADU JET Stella is equipped with lighting and a high-quality, easy-care woodgrain cover. It is controlled by a pneumatic switch.



Code	Description	Voltage	Output power P2
231.9500.000	BADU JET Stella - LED white	3 N~ 400/230 V	3.00 kW
231.9520.000	BADU JET Stella - LED multicolour	3 N~ 400/230 V	3.00 kW

Technical data at 50 Hz

Voltage	3 N~ 400/230 V
Pump type	21-81/32 G
Pump flow (m³/h)	75
Input power P <sub>1</sub> / output P <sub>2</sub> (kW)	3.74/3.00
Number of nozzles (Ø 40 mm)	2
Flow pressure at the nozzle (bar)	1.00
Flow velocity* (m/s)	1.40
Massage pressure (bar) max.	1.60
Rotary nozzle adjustment (degrees)	60
Maximum salt content	0.066 % / 0,66 g/l



Code	Description
231.9851.000	Telescopic foot for above-ground pools
230.0001.000	Massage hose, Ø 40 mm, length 1.5 m
230.0003.000	Massage hose, pulse, Ø 40 mm, length 1.5 m
230.0022.000	Nozzle cap Ø 40 mm

**BADU Jet Turbo and Turbo Pro**

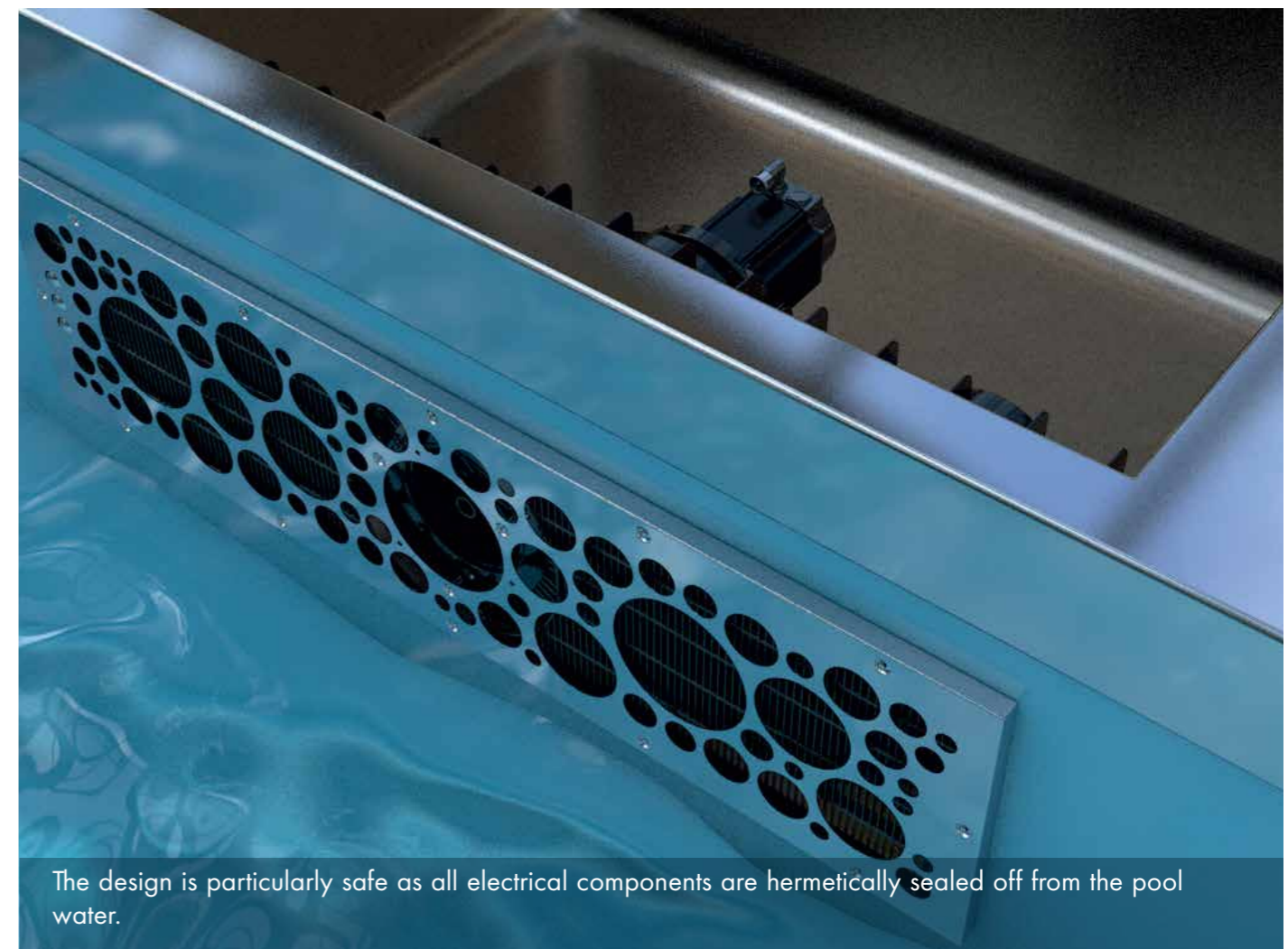
A unique counter-current whose operating principle is based on propeller technology (instead of jets), providing more benefits for both users and pool builders. The BADU Jet Turbo Pro creates an even, soft water current, which avoids the monotonous stress on individual body parts. It has a higher output than traditional counter-currents while operating very quietly. The output of the device can be infinitely adjusted via the integrated sensor buttons or the remote control. In this way, the system can be perfectly adapted to individual needs.



The BADU Jet Turbo Pro is powered by a powerful permanent magnet motor. Power is transmitted to the propeller non-contact by means of a magnetic clutch.

**Scope of application**

For wall mounting in all types of pools, up to a wall thickness of 7mm, except for round pools.



The design is particularly safe as all electrical components are hermetically sealed off from the pool water.

**BADU Jet Turbo**

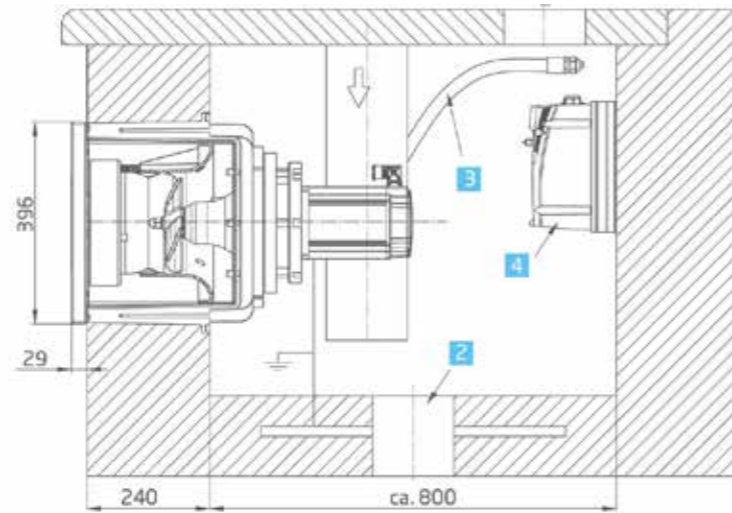
**The BADU Jet Turbo Final Kit contains:**

- plastic installation housing
- suction cover
- steel grilles
- coil assembly
- nozzle assembly
- Piezo button
- gaskets
- screws

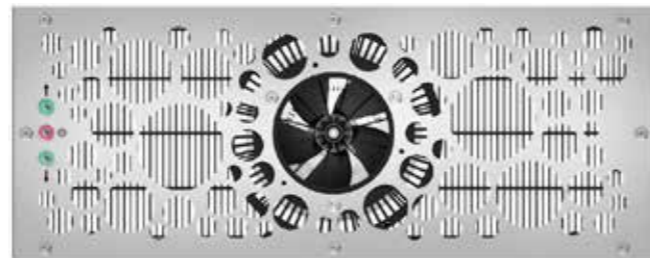
**The drive kit includes:**

- engine
- frequency converter - inverter
- control box
- remote control
- screws
- connecting cable 10 m

**Example turbine installation**



- 1 Piezo button
- 2 Drain
- 3 Protective hose, Piezo button wiring
- 4 Frequency converter



Technical data at 50/60 Hz	BADU JET Turbo	Frequency converter - waveguide
Capacity [kW]	1~	1.50
Mains voltage	1~	1~ 200-240 V
Weight netto [kg]	1~	4.10
Technical data at 50/60 Hz	BADU JET Turbo	Drive unit
Flow rate [m³/h]	1~	125-245
Input power P <sub>1</sub> / output P <sub>2</sub> [kW]	1~	1.90 / 1.50
Nozzle number (ø 172 mm)	1~	1
Outflow velocity [m/s]	1~	1.50- 3.00
Weight netto [kg]	1~	43.50



Code	Description
232.8100.000	BADU Jet Turbo, Design 1
232.8120.000	BADU Jet Turbo, Design 2
232.8200.001	Drive kit 1~, 10m
232.8200.002	Drive kit 1~, 25m
232.8200.003	Drive kit 1~, 45m

**Turbina BADU Jet Turbo Pro**

Technical data at 50/60 Hz	BADU JET Turbo Pro	Frequency converter - waveguide
Capacity [kW]	3~	4.00
Mains voltage	3~	3~ 380-480 V
Weight netto [kg]	3~	6.00
Technical data at 50/60 Hz	BADU JET Turbo Pro	Drive unit
Flow rate [m³/h]	3~	150-350
Input power P <sub>1</sub> / output P <sub>2</sub> [kW]	3~	3.60 / 3.00
Nozzle number (ø 172 mm)	3~	1
Outflow velocity [m/s]	3~	1.80- 4.10
Weight netto [kg]	3~	51.50

Code	Description
232.5100.000	BADU Jet Turbo Pro, Design 1
232.5120.000	BADU Jet Turbo Pro, Design 2
232.5200.000	Drive kit 3~, 10m
232.5200.001	Drive kit 3~, 25m
232.5200.002	Drive kit 3~, 45m

**Dimensional drawing (cm)**



**Design 1**



**End set BADU Jet Turbo Pro includes:**

- plastic installation housing
- suction cover
- steel grilles
- coil assembly
- nozzle assembly
- Piezo button
- gaskets
- screws

**Design 2**



**The drive kit includes:**

- engine
- frequency converter - inverter
- control box
- remote control
- screws
- connecting cable 10 m

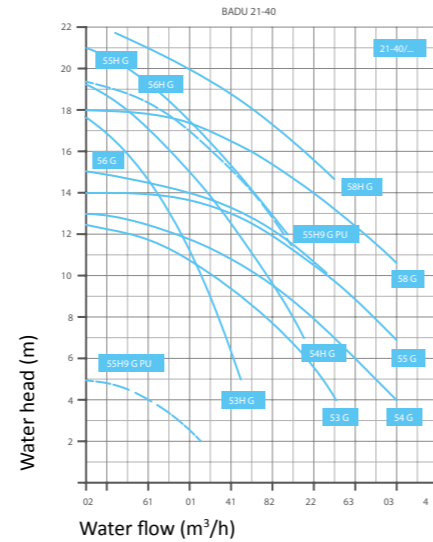


The BADU 21 series pumps are designed for spa tubs, whirlpools, counterflows and cleaning equipment.

## BADU 21-40



Pump does not include connections



Code	Description	Voltage	Output power P2
234.0530.138	BADU 21-40/53 G	1 ~ 230 V	0.55 kW
234.0530.338	BADU 21-40/53H G	1 ~ 230 V	0.55 kW
234.0540.138	BADU 21-40/54 G	1 ~ 230 V	0.75 kW
234.0540.338	BADU 21-40/54H G	1 ~ 230 V	0.75 kW
234.0550.138	BADU 21-40/55 G	1 ~ 230 V	1.00 kW
234.0550.338	BADU 21-40/55H G	1 ~ 230 V	1.00 kW
234.0551.238	BADU 21-40/55H9 G PU	1 ~ 230 V	0.22/1.00 kW
234.0580.138	BADU 21-40/58 G	1 ~ 230 V	1.50 kW
234.0580.338	BADU 21-40/58H G	1 ~ 230 V	1.50 kW
234.0560.137	BADU 21-40/56 G	3 ~ 400/230 V	1.10 kW
234.0560.337	BADU 21-40/56H G	3 ~ 400/230 V	1.10 kW
234.0580.137	BADU 21-40/58 G	3 ~ 400/230 V	1.50 kW
234.0580.337	BADU 21-40/58H G	3 ~ 400/230 V	1.50 kW

### Pump connection 21-40 z PVC

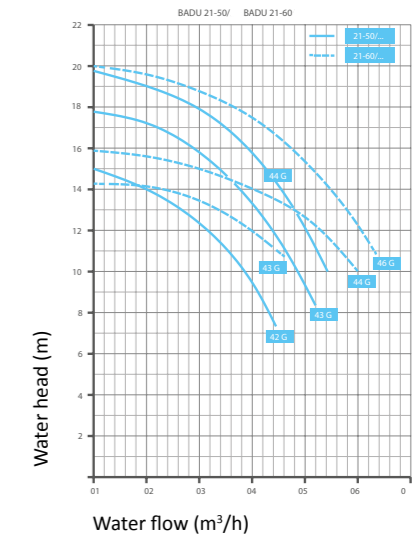
Female thread 2" x 50 mm



Code  
280.5120.050

**Pump BADU 21-50** - Pumpa available in BADU AK version (intended use: saltwater/sea/thermal water/ionisation system installations).  
**Pump BADU 21-60** Pumpa available in BADU AK version (intended use: saltwater/sea/thermal water/ionisation system installations).

## BADU 21-50, BADU 21-60 - no connections included



Code	Description	Voltage	Output power P2
235.0420.138	BADU 21-50/42 G	1 ~ 230 V	1.10 kW
235.0430.138	BADU 21-50/43 G	1 ~ 230 V	1.60 kW
235.0440.138	BADU 21-50/44 G	1 ~ 230 V	2.20 kW
236.0430.138	BADU 21-50/42 G	1 ~ 230 V	1.60 kW
236.0440.138	BADU 21-60/44 G	1 ~ 230 V	2.20 kW
236.0460.138	BADU 21-60/46 G	1 ~ 230 V	3.00 kW
235.0420.137	BADU 21-50/42 G	3 ~ 400/230 V	1.10 kW
235.0430.137	BADU 21-50/43 G	3 ~ 400/230 V	1.60 kW
235.0440.137	BADU 21-50/44 G	3 ~ 400/230 V	2.20 kW
236.0430.137	BADU 21-60/43 G	3 ~ 400/230 V	1.60 kW
236.0440.137	BADU 21-60/44 G	3 ~ 400/230 V	2.20 kW
236.0460.137	BADU 21-60/46 G	3 ~ 400/230 V	3.00 kW

### Pump connection 21-50 i 21-60 z PVC

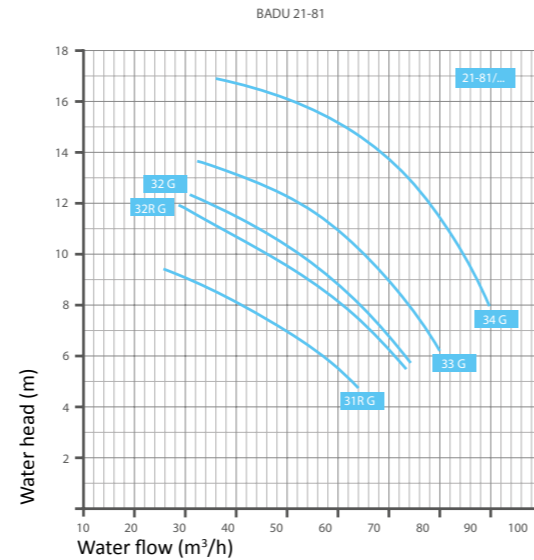
Female thread 2 3/4" x 63 mm



Code  
I 230.0031.000

**Pump BADU 21-81** - The pump comes complete with connections and is available in the following versions BADU AK (purpose: saltwater/sea/thermal water/ionisation system installations).

**BADU 21-81**



Code	Description	Voltage	Output power P2
238.1310.238	BADU 21-81/31R G	1 ~ 230 V	1.60 kW
238.1320.238	BADU 21-81/32R G	1 ~ 230 V	2.20 kW
238.1330.338	BADU 21-81/33 G	1 ~ 230 V	3.00 kW
238.1310.237	BADU 21-81/31R G	3 ~ 400/230 V	1.60 kW
238.1320.237	BADU 21-81/32R G	3 ~ 400/230 V	2.20 kW
238.1320.337	BADU 21-81/32 G	3 ~ 400/230 V	2.60
238.1330.337	BADU 21-81/33 G	3 ~ 400/230 V	3.00 kW
238.1340.337	BADU 21-81/34 G	3 ~ 400/230 V	4.00 kW



**Counterflow TriVA** - The pump comes complete with connections and is available



The TriVA Counterflow System has been designed with ambitious athletes in mind. Thanks to innovative FLAT technology, the TriVA creates a flat, powerful Flow just below the surface of the water.

Technical data at 50 Hz		TriVA 75	TriVA 150	TriVA 225
Installation		on the pool wall		
Powerconsumption [W]	Version 400 V	3.500	2 x 3.500	3 x 3.500
	Version 230 V	3.200	2 x 3.200	
Nozzles		3 optimised flat nozzles		
Flow (litres per second)	Version 400 V	21	42	63
	Version 230 V	18	36	-
PIEZO on/off switch		included		
Voltage [V]	Version 400 V	230/400/3 phases		
	Version 230 V	230/1 phase	230/1 phase	-
Special models (for salt water, for swimming pools with overflow gutters)		available on request		

Code	Description
<b>ABS pre-assembly kits</b>	
2000654	ABS masonry culvert for TriVa 75
2000594	ABS masonry culvert for TriVa 150
2000614	ABS masonry culvert for TriVa 225
<b>Stainless steel pre-assembly kits: for stainless steel pools</b>	
2000730	Masonry culvert with flange for TriVa 75
2000729	Masonry culvert with flange for TriVa 150
2000731	Masonry culvert with flange for TriVa 225
<b>Zestawy końcowe</b>	
2000655	End set dla TriVA 75, 3~ / 400 V with one pump
2000596	End set dla TriVA 150, 3~ / 400 V with two pumps
2000737	End set dla TriVA 150, 1~ / 230 V with two pumps
2000738	End set dla TriVA 150, 3~ / 400 V with two pumps (possibility of connecting a third pump)
2000615	End set dla TriVA 225, 3~ / 400 V with three pumps
2000978	End set dla TriVA 225, z falownikiem 3~ / 400 V with three pumps
2001107	End set dla TriVA 150, z falownikiem 3~ / 400 V with two pumps
<b>Flanking</b>	
2000657	Flanking for TriVA 75
2000595	Flanking for TriVA 150
2000616	Flanking for TriVA 225

## Counterflow JUNO - Adjustable water and air flow



Technical data at 50 Hz		JUNO
Installation		on the pool wall
Power consumption [W]	Version 400 V	3.500
	Version 230 V	3.200
Nozzles		1 rotary nozzle
Flow (litres per second)	Version 400 V	18
	Version 230 V	17
PIEZO on/off switch		included
Voltage [V]	Version 400 V	230/400/3 phases
	Version 230 V	230/1 phase
On/off switch		pneumatic (ABS grille white and silver), PIEZO (stainless steel grille stainless steel)
Special models (for salt water, for swimming pools with overflow gutters)		available on request

Code	Description
<b>ABS pre-assembly kits</b>	
262944	ABS masonry culvert
2000010	Stainless steel masonry culvert with flange
<b>End sets - with white ABS bezel</b>	
262952	End set with 3.5 kW pump, 3~, PN switch
265987	End set with 3.5 kW pump, 1~, PN switch
<b>End sets - with silver ABS grille</b>	
268882	End set with 3.5 kW pump, 3~, PN switch
268883	End set with 3.5 kW pump, 1~, PN switch
<b>End sets - with stainless steel grille</b>	
2000599	End set with 3.5 kW pump, 3~, PIEZO switch
2000811	End set with 3.5 kW pump, 1~, PIEZO switch
<b>Finish sets - with stainless steel fascia for stainless steel pools</b>	
2000601	End set with 3.5 kW pump, 3~, PIEZO switch
2000841	End set with 3.5 kW pump, 1~, PIEZO switch
<b>Flanking</b>	
012856	Flanking set for foil and prefabricated swimming pools
269743	Wide flanking set for tile pools with seal coating

## Counterflow PURO COMPACT - Pure bathing pleasure



### Product information:

- Flow approx. 65 m<sup>3</sup>/h
- Compact system with FLATStream technology
- Integrated suction grille and piezo button
- High-quality, shiny, polished stainless steel plate
- Dimensions flat: 300 x 500 x 20 mm
- The device is characterised by very quiet operation

### Technical data:

Input power	3.5kW
Flow	18l/sec.
Power supply	~3N 230/400 V, ~1N 230 V
Masking	Stainless steel
On/off switch	Piezo

Can be combined with LIDOBLOC to obtain a system switched system.

Code	Description
2001071	Pre-assembly kit: ABS masonry transitions
2001119	Pre-assembly kit: stainless steel masonry walkways for stainless steel pools.
2001073	End set 3.5 kW
2001074	Flange



## Counterflow LIDOBLOC



### Product information:

- Flow approx. 65 m<sup>3</sup>/h
- Fixed air admixture
- Integrated Piezo switch
- Dimensions flat 300 x 600 x 15 mm
- High-quality polished stainless steel grille

### Technical data:

Input power	3.5kW
Flow	18l/sec.
Power supply	~3N 230/400 V, ~1N 230 V
Masking	Stainless steel
On/off switch	Piezo
Dimensions	300 x 500 x 18mm
Suction nozzles	2 x WAVE40, stainless steel grilles
Suction system dimensions	220 x 220 x 20 mm

Code	Description
2001079	Pre-assembly kit: ABS masonry transitions
2001077	Pump end set 3.5 kW
2001078	Foil and prefabricated swimming pool flange

Can be combined with PURO COMPACT for a switchable system.

# PERLA MASSAGE PLATE



Lightness of bubbles



Installation		Pool bottom, seat, underwater lounge
Power consumption [W]	Version 400 V	400 – 2.200
	Version 230 V	400 – 2.200
Flow (litres per second)	Version 400 V	80 – 318
	Version 230 V	80 – 318
PN switchceumatyczny		on request
PIEZO on/off switch		on request
Voltage [V]	Version 400 V	230/400/3 phases
	Version 230 V	230/1 phase

Code	Description
<b>PERLA massage system</b>	
2000331	Masonry culvert
2000332	Cover for foil pools with gaskets and screws
2000462	Cover for tiled pools
<b>Side channel blowers</b>	
2000439	Blower BG1, 0.2 kW, 3~ 400 V, max 70 mbar, max 40 m <sup>3</sup> /h
2000229	Blower BG3, 0.4 kW, 3~ 400 V, max 130 mbar, max 80 m <sup>3</sup> /h
2000694	Blower BG4, 0.85 kW, 3~ 400 V, max 160 mbar, max 145 m <sup>3</sup> /h
2000248	Blower BG4, 1.3 kW, 3~ 400 V, max 200 mbar, max 145 m <sup>3</sup> /h
2000530	Blower BG4, 1.3 kW, 1~ 230 V, max 200 mbar, max 145 m <sup>3</sup> /h
2000225	Blower BG5, 1.6 kW, 3~ 400 V, max 210 mbar, max 210 m <sup>3</sup> /h
2000249	Blower BG6, 2.2 kW, 3~ 400 V, max 210 mbar, max 318 m <sup>3</sup> /h
2000250	Blower BG6, 3.0 kW, 3~ 400 V, max 290 mbar, max 318 m <sup>3</sup> /h
<b>Control</b>	
098665	Masonry culvert
262605	Stainless steel round pneumatic button on/off
2000255	Pneumatic square on/off button in stainless steel
2000645	Piezo button round in stainless steel, cable 7m
2000602	Piezo button square in stainless steel, 7m cable
2000414	Cladding for foil and prefabricated swimming pools
2000606	JetControl control box: choice of 1~ or 3~
<b>Accessories</b>	
2000440	Prefilter for blower BG1
2000350	Prefilter for blower BG4
2000272	Prefilter for blower BG5 and BG6
2000441	Sound absorber for blower BG1
2000527	Sound absorber for blower BG3
2000438	Sound absorber for blower BG4
2000273	Sound absorber for blower BG5 oraz BG6
2000695	Pressure control valve 0-300 mbar



## FUTURISTIC AQA FANTASY SPOUTS

AQA®  
FANTASY



Product information:

Material	Stainless steel AISI 316L
Finishing	Polished / Satin
Recommended self-priming pump	1,5hp - 21,5m³/h Code: AQA-B21
Code	AF-1



Product information:

Material	Stainless steel AISI 316L, Fibreglass structure
Finishing	Polished
Recommended self-priming pump	1hp - 17,3m³/h Code: AQA-B17
Code	AF-2



Product information:

Material	Stainless steel AISI 316L
Finishing	Polished
Recommended self-priming pump	1,5hp - 21,5m³/h Code: AQA-B21
Code	AF-3



Product information:

Material	Stainless steel AISI 316L
Finishing	Satin
Recommended self-priming pump	0,80hp - 10,5m³/h Code: AQA-B10
Code	AF-4

## FUTURISTIC AQA FANTASY SPOUTS

AQA®  
FANTASY



Product information:

Material	Stainless steel AISI 316L, glass fibre structure
Finishing	Polished
Available colours	Black, white, red, gold, silver
Recommended self-priming pump	1,5hp - 21,5m³/h Code: AQA-B21
Code	AF-5



Product information:

Material	Stainless steel AISI 316L, glass fibre structure
Finishing	Polished
Available colours	Black, white, red, gold, silver
Recommended self-priming pump	1,5hp - 21,5m³/h Code: AQA-B21
Code	AF-5.1



Product information:

Material	Stainless steel AISI 316L
Finishing	Polished
Recommended self-priming pump	1hp - 17,3m³/h Code: AQA-B17
Code	AF-6



Product information:

Material	Stainless steel AISI 316L
Finishing	Polished
Recommended self-priming pump	1hp - 17,3m³/h Code: AQA-B17
Code	AF-7

## FUTURISTIC AQA FANTASY SPOUTS

AQA®  
FANTASY



Product information:

Material	Stainless steel AISI 316L, glass fibre structure
Finishing	Polished
Recommended self-priming pump	1hp - 17,3m³/h Code: AQA-B17
Code	AF-8



Product information:

Material	Stainless steel AISI 316L, glass fibre structure
Finishing	Polished
Recommended self-priming pump	1hp - 17,3m³/h Code: AQA-B17
Code	AF-8.1



Product information:

Material	Stainless steel AISI 316L
Finishing	Polished / Satin
Recommended self-priming pump	1,5hp - 21,5m³/h Code: AQA-B21
Code	AF-9



Product information:

Material	Stainless steel AISI 316L
Finishing	Polished
Recommended self-priming pump	0.80hp - 10m³/h Code: AQA-B10
Code	AF-10

## FUTURISTIC AQA FANTASY SPOUTS

AQA®  
FANTASY



Product information:

Material	Stainless steel AISI 316L, glass fibre structure
Finishing	Polished
Recommended self-priming pump	1hp - 17,3m³/h Code: AQA-B17
Code	AF-11



Product information:

Material	Stainless steel AISI 316L, glass fibre structure
Finishing	Polished
Recommended self-priming pump	1hp - 17,3m³/h Code: AQA-B17
Code	AF-11.1



Product information:

Material	Stainless steel AISI 316L, glass fibre structure
Finishing	Satin
Available colours	Black, white, red, gold, silver
Recommended self-priming pump	0,80hp - 10,5m³/h Code: AQA-B10
Code	AF-12



Product information:

Material	Stainless steel AISI 316L, glass fibre structure
Finishing	Polished
Available colours	Black, white, red, gold, silver
Recommended self-priming pump	1,5hp - 21,5m³/h Code: AQA-B21
Code	AF-13

## FUTURISTIC AQA FANTASY SPOUTS

AQA<sup>®</sup>  
FANTASY



Product information:

Material	Stainless steel AISI 316L, glass fibre structure
Finishing	Satin
Available colours	Black, white, red, gold, silver
Recommended self-priming pump	0,80hp - 10,5m <sup>3</sup> /h Code: AQA-B10
Code	AF-14



Product information:

Material	Stainless steel AISI 316L, glass fibre structure
Finishing	Satin
Available colours	Black, white, red, gold, silver
Recommended self-priming pump	0,80hp - 10,5m <sup>3</sup> /h Code: AQA-B10
Code	AF-15



Product information:

Material	Stainless steel AISI 316L, glass fibre structure
Finishing	Polished / Satin
Available colours	Black, white, red, gold, silver
Recommended self-priming pump	0,80hp - 10,5m <sup>3</sup> /h Code: AQA-B10
Code	AF-16



Product information:

Material	Stainless steel AISI 316L, glass fibre structure
Finishing	Polished
Available colours	Black, white, red, gold, silver
Recommended self-priming pump	1hp - 17,3m <sup>3</sup> /h Code: AQA-B17
Code	AF-17

## FUTURISTIC AQA FANTASY SPOUTS

AQA<sup>®</sup>  
FANTASY



Product information:

Material	Stainless steel AISI 316L, glass fibre structure
Finishing	Polished
Available colours	Black, white, red, gold, silver
Recommended self-priming pump	1,5hp - 21,5m <sup>3</sup> /h Code: AQA-B21
Code	AF-18



Product information:

Material	Stainless steel AISI 316L
Finishing	Polished / Satin
Recommended self-priming pump	0.80hp - 10m <sup>3</sup> /h Code: AQA-B10
Code	AF-19

\*Requires connection to a gas supply.

\*\* For external use only.



Product information:

Material	Stainless steel AISI 316L
Finishing	Polished / Satin
Available sizes	900mm and 600mm
Recommended self-priming pump	(900) 1,5hp - 21,5m <sup>3</sup> /h Code: AQA-B21 (600) 1hp - 17,3m <sup>3</sup> /h Code: AQA-B17

\*Requires connection to a gas supply.

\*\* For external use only.



Product information:

Material	Stainless steel AISI 316L
Finishing	Satin
Available colours	Black, white, red, gold, silver
Recommended self-priming pump	0,80hp - 10,5m <sup>3</sup> /h Code: AQA-B10
Code	AF-21

\*Requires connection to a gas supply.

\*\* For external use only.

## FUTURISTIC AQA FANTASY SPOUTS

AQA<sup>®</sup>  
FANTASY



Product information:

Material	Stainless steel AISI 316L, glass fibre structure
Finishing	Satin
Available colours	Black, white, red, gold, silver
Recommended self-priming pump	0,80hp - 10,5m <sup>3</sup> /h Code: AQA-B10
Code	AF-21.1



Product information:

Material	Stainless steel AISI 316L, glass fibre structure
Finishing	Polished
Available colours	Black, white, red, gold, silver
Recommended self-priming pump	1hp - 17,3m <sup>3</sup> /h Code: AQA-B17
Code	AF-22



Product information:

Material	Stainless steel AISI 316L
Finishing	Polished / Satin
Available colours and sizes	Black, white, red, gold, silver 900mm i 600mm
Recommended self-priming pump	(900) 1,5hp - 21,5m <sup>3</sup> /h Code: AQA-B21 (600) 1hp - 17,3m <sup>3</sup> /h Code: AQA-B17

\*Requires connection to a gas supply.

\*\*For external use only.

## FUTURISTIC AQA FANTASY SPOUTS

AQA<sup>®</sup>  
FANTASY



Product information:

Material	Stainless steel AISI 316L, glass fibre structure
Finishing	Satin
Available colours	Black, white, red, gold, silver
Recommended self-priming pump	0,80hp - 10,5m <sup>3</sup> /h Code: AQA-B10
Code	AF-24.1



Product information:

Material	Square base made of glass fibre
Finishing	Satin
Available colours	Black, white, red, gold, silver
Recommended self-priming pump	
Code	AF-25



Material	Stainless steel AISI 316L
Finishing	Satin
Available colours	Black, white, red, gold, silver
Recommended self-priming pump	0,80hp - 10,5m <sup>3</sup> /h Code: AQA-B10
Code	AF-24

\*Requires connection to a gas supply.

\*\*For external use only.

## MAINE

A small cascade that does not require an additional pump, it is ideal for smaller pools. The Maine is made from high quality type 316 acid resistant steel with a polished surface. A counter flange is also included.



**Code**  
525015

Product information:

Material	316 stainless steel, polished
Height	approx. 290 mm
Outlet	approx. 300 mm
Recommended pump capacity	5 m <sup>3</sup> /h
Water connection	GZ 1 ½"
Locking flange	included

## PHOENIX

Small but mighty! This is what our PHOENIX cascade looks like. Thanks to its polished surface and easy installation (no mounting flange required), this device provides massage even in smaller pools.



**Code**  
525001

Product information:

Material	316 stainless steel, polished
Height	approx. 460 mm
Outlet	approx. 350 mm
Recommended pump capacity	12-15 m <sup>3</sup> /h
Water connection	GW 1 ½"

## ALASKA

With Cascade ALASKA, you can not only relax and enjoy a back massage, but also, thanks to its rounded shape and polished surface, create a beautiful environment around the pool. Like a stainless steel sculpture, it is an attraction with a unique form.



**Code**  
525004

Product information:

Material	316 stainless steel, polished
Height	approx. 290 mm
Outlet	approx. 300 mm
Recommended pump capacity	5 m <sup>3</sup> /h
Water connection	GZ 1 ½"
Locking flange	included

## NEVADA

The NEVADA Cascade is the epitome of shower fun and water attraction in one. The even pouring of water serves as a gentle massage or as an attraction in the pool. The polished surface in acid-resistant steel gives a noble impression.



**Code**  
525006

Product information:

Material	316 stainless steel, polished
Height	approx. 690 mm
Outlet	approx. 500 mm
Recommended pump capacity	12-15 m <sup>3</sup> /h
Water connection	GZ 1 ½"
Locking flange	included

## INDIANA

The extravagant, slender shape and shiny, polished stainless steel combine the appeal of water and design in the best possible way. The design of the INDIANA cascade makes it look light and slender.



**Code**  
525010

Product information:

Material	316 stainless steel, polished
Height	approx. 800 mm
Outlet	approx. 600 mm
Recommended pump capacity	12-15 m <sup>3</sup> /h
Water connection	GZ 2 ½"
Locking flange	included

## ARIZONA

Classically simple as a column, the ARIZONA cascade offers pure water enjoyment. The wide 500 mm long spout produces a powerful jet of water. No flange is required for installation, making the cascade ready to use in the blink of an eye.



**Code**  
525030

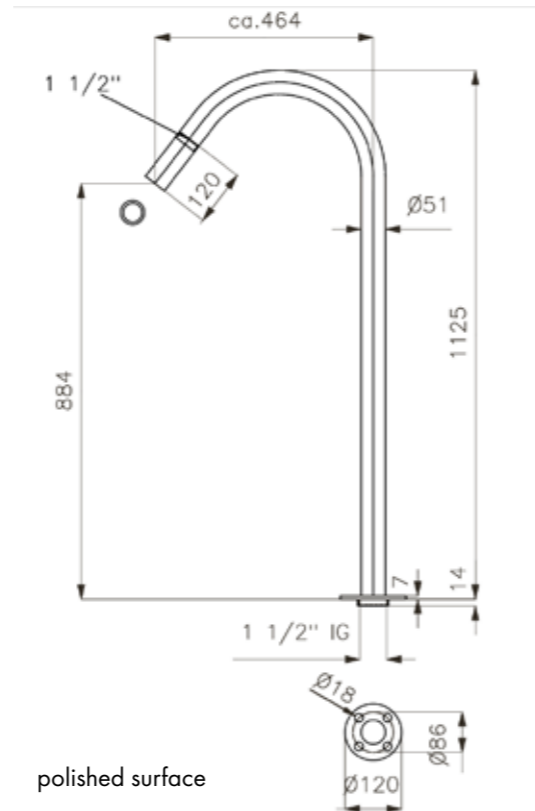
Product information:

Material	316 stainless steel, polished
Height	approx. 831 mm
Outlet	approx. 500 mm
Recommended pump capacity	12-15 m <sup>3</sup> /h
Water connection	GZ 2 ½"



**Cannon in 4 types of nozzle**

Refreshment, massage and fun - the cannon offers many possibilities. There are four different nozzle inserts to choose from: round, 6-stream round, flat, 4-stream flat. The nozzle inserts are already fitted and sealed at the factory. A pump capacity of approx. 6-8 m<sup>3</sup>/h is recommended. The connection is made with a 1 1/2" female thread.



polished surface

Code	Description
521100	TYP A
521106	TYP B
521111	TYP C
521114	TYP D

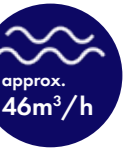


Product information:

Material	Stainless steel typu 304
Height	approx. 1125 mm
Water connection	GW 1 1/2"
Weight	6 kg
Recommended pump capacity	6- 8 m <sup>3</sup> /h

**Jet Swim Motion** - Ideal for training, exercise and play

The Jet Swim counterflows provide a very natural swimming technique through the use of two flat nozzle technology. Two sources of flow: the first provides the counter-wave, the primary function of swim training. The second, directed downwards - for a more even distribution of the jets - provides a 'belay' for the user. The generated current lifts the body to assist in keeping it in a natural horizontal position, preventing sinking. The unit has a built-in pneumatic button for actuation and a switch to adjust the flow rate. A recess in the modern, minimalist design serves as a handle.



**Jet Swim Motion Marine**



Jet Swim Motion



**Jet Swim Motion Classic**



Other counterflows



Technical data at 50 Hz

Code	Description
33044	Jet Swim Motion Marine: set for foil and concrete swimming pools and concrete pools
33042	Jet Swim Motion Classic: set for foil and concrete swimming pools and concrete pools

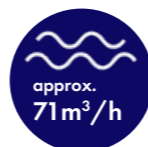
Engine	2.2 kW
Voltage	230/400 V
Power	8.0/4.6 A
Pump capacity	46 m <sup>3</sup> /h



## Jet Swim 2000

### Product information:

- Adjustable water flow
- Adjustment of the air mixture setting
- Polished stainless steel front
- High-quality engine
- Meets the requirements of pool standards EN13451, EN16582, EN16713



Code	Description
33029	Complete set for masonry pools (concrete+foil)
33028	Complete set for liner pools (wood, composite, steel + foil)

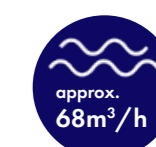
Technical data at 50 Hz

Engine	4.0 kW
Voltage	230/400 V
Power	8,1 A
Pump capacity	71m <sup>3</sup> /h
Pipe connection	2½"



## Jet Swim Athlete - well-balanced water flow

The counter-current uses a water flow technique with two oval jets. The lower nozzle is directed downwards to lift the lower part of the body and provide a more natural swimming experience. This makes it much easier for the user to maintain a horizontal swimming position. The Jet Swim Athlete is designed for pools with a minimum length of 8 metres.



### Product information:

- New flow technology with two oval nozzles
- Adjustable water flow
- Modern and minimalist design
- Pneumatic control
- Meets swimming pool standards
- High-quality engine



Technical data at 50 Hz

Code	Description
33045	Complete set for liner pools (steel wall + liner)
33046	Complete set for masonry pools (concrete + foil OR concrete + tiles)

Engine	4.0 kW
Voltage	230/400 V
Power	13,9/8,0 A
Pump capacity	68m <sup>3</sup> /h
Pipe connection	2½"



## Taifun counterflow



### Pre-assembly set:

- 90° angle masonry culvert
- Connection - GW 2" female thread with installation niche for Piezo switch

**Purpose:** tile and foil pools

Code	Description
7610050	Gunmetal
7610051	Bronze



### Pre-assembly set:

- Taifun masonry culvert
- Connection - female thread GW 2 1/2" length 150 mm

**Purpose:** tile and foil pools

Code	Description
7611550	Gunmetal
7611551	Bronze



### Pre-assembly set:

- Taifun masonry culvert
- Connection - female threads GW 2 1/2" length 150 mm incl. plugs and counter flange

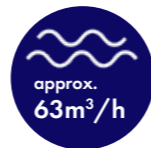
**Purpose:** prefabricated swimming pools

Code	Description
7614050	Gunmetal
7614051	Bronze



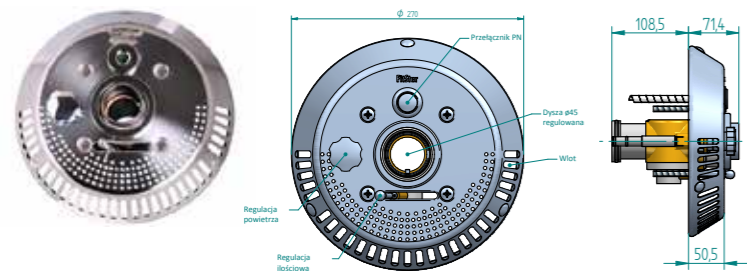
### Taifun end set:

- Stainless steel grille
  - Pump 2.6 kW, 230 / 400 V three-phase supply, 50 Hz, power consumption 3.4 kW / 5.8 A
  - Flow rate 1050 l/min at 1.0 bar
- The product complies with the European standard DIN-EN



The set does not include the wall transition, handle and pump rack shown in the picture.

Code	Description
7620020	Gunmetal
7620021	Bronze



### Taifun front insert

Taifun front insert with Piezo-electric switch, round bezel made of V4A acid-resistant steel.

Code	Description
87307020	Gunmetal
87307021	Bronze



### Taifun front insert

Taifun front insert with pneumatic switch, round grille made of V4A acid-resistant steel.

Code	Description
7307020	Gunmetal
7307021	Bronze

## Taifun counterflow-Duo



### Pre-assembly set:

- Taifun masonry culvert-Duo
- Connections - female threads GW 2 1/2" Length 240mm

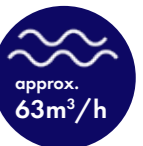
**Purpose:** tile and foil pools

Code	Description
7613050	Gunmetal
7613051	Bronze



### Taifun end set-Duo:

- Stainless steel grille
  - Pump 2.6 kW, 230 / 400 V Three-phase power supply, 50 Hz, power consumption 3.4 kW / 5.8 A, flow rate 1050 l/min at 1.0 bar
- The product complies with European DIN-EN

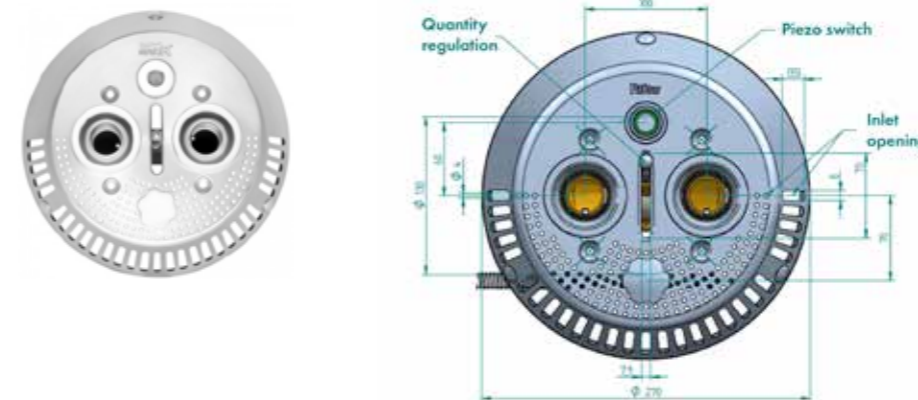


The kit does not include the masonry transition, handle and pump rack shown in the photo.

Code	Description
7640020	Gunmetal
7640021	Bronze

## Taifun front insert-Duo

Taifun front insert-Duo with Piezo-electric switch, round bezel made of V4A acid-resistant steel.



Code	Description
87309920	Gunmetal
87309921	Bronze

## Taifun front insert-Duo

Taifun-Duo front insert with pneumatic switch, round bezel made of V4A acid-resistant steel.



Code	Description
7309920	Gunmetal
7309921	Bronze

# ACCESSORIES FOR TAIFUN AND TAIFUN-DUO



**Flanking set of bronze**  
Purpose: foil pools

Code
7980050



**Flanking set**, suitable for all masonry transitions. The set includes screws and counter flange. Purpose: prefabricated swimming pools.

Code	Description
7986050	Gunmetal
7986051	Bronze



**Stainless steel handle**

Code
7991020



**Pump stand**  
Purpose: suitable for pumps with a capacity of: 1.5/2.2 /2.6 kW

Code
7280050



**Massage hose**

Code
7551050



**Massage hose with stopper**

Code
7552050



**Massage hose, pulse**

Code
8551050



**Massage hose, pulse with stopper**

Code
8552050



## Evolution - flat, dynamic and elegant

Pre-assembly sets 240 mm

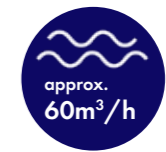


Code	Description
for foil and tile pools	
8350050	Gunmetal
8350051	Bronze

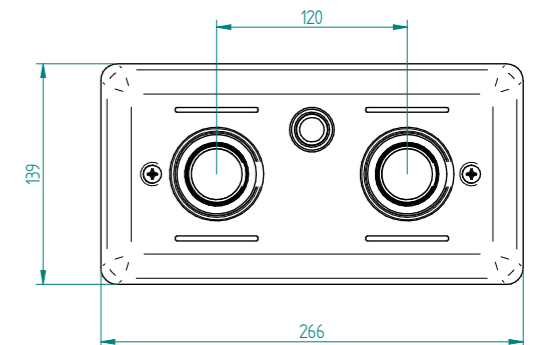
Code	Description
dla basenów prefabrykowanych	
8350250	Gunmetal
8350251	Bronze

## Final set with 2 separate intakes

- stainless steel masking
  - pump 2.6 kW, 230 / 400 V three-phase, 50 Hz, power consumption 3.4 kW / 5.8 A
  - flow rate 1050 l/min at 1.0 bar
- The product complies with the European standard DIN-EN



Code	Description
8360020	Gunmetal
8360021	Bronze



## Accessories



Code	Description
8350150	Flanking kit for foil pools
7280050	Pump stand

# SWIMMING TURBINES

**Hugo Lahme**

Perfection in every element.



**Hugo Lahme**

Perfection in every element.



**Power-Stream** - powered by propeller technology

The power of the unit can be adjusted directly from the pool via three integrated, illuminated piezo buttons. This also allows for more relaxed swimming. The design of the system is wear-resistant - the power transmission is non-contact. All electrical components are separated from the pool water, ensuring safety for users. In addition, the Power-Stream is quieter and more energy efficient than conventional counterflow systems. The unit is available in two options with a **2.6 kW** motor and a flow rate of **270 m<sup>3</sup>/h (Power-Stream I)** or **5.5 kW** and **400 m<sup>3</sup>/h (Power-Stream II)**.

**Pre-assembly set 240 mm**

- for foil, tile and prefabricated swimming pools

Code	Description
8390020	material : stainless steel type 316L

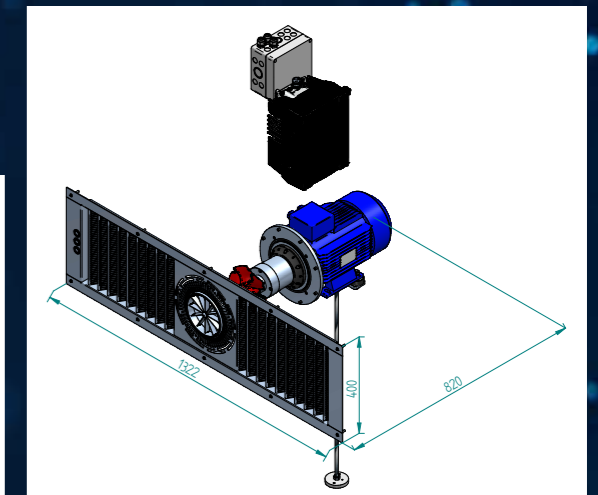
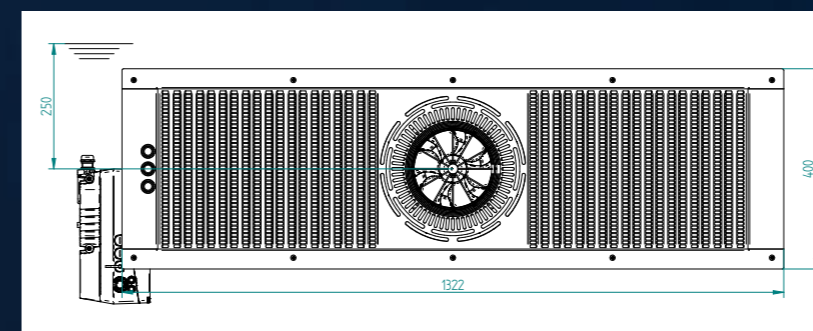
**Zestawy końcowe :**

Code	Description
<b>Power-Stream I</b>	
8390120	2.6 kW, stainless steel cover type 316L, adjustable up to 270 m <sup>3</sup> /h.

Code	Description
<b>Power-Stream II</b>	
8390420	5.5 kW, stainless steel cover type 316L, adjustable up to 400 m <sup>3</sup> /h.

**Accessories**

Code	Description
8390220	316L stainless steel flanking kit for foil pools
8390320	Stainless steel flanking kit type 316L for prefabricated swimming pools
579809	remote control with receiver
8390550	HMI module



## STAINLESS STEEL CASCADES

### Pre-assembly sets:



- Masonry transitions (suction and discharge),
- Length 240 mm

Code	Description	Code	Description
tile and prefabricated swimming pools		prefabricated swimming pools	
8730350	Gunmetal	8730350	Gunmetal
8730351	Bronze	8730351	Bronze

Sets available on request in DIN-EN European standard.

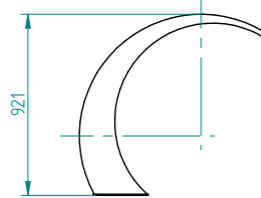


Code	Description
8674250	Bronze flanking kit for the suction part

### Final sets include:

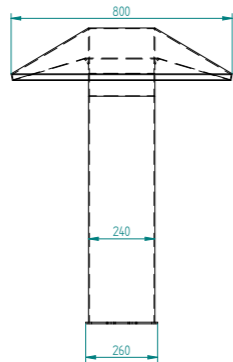
- Pump 2.6 kW, 230/400 V, 50 Hz, three-phase power supply
- Stainless steel cascade

### Cascade Roundabout



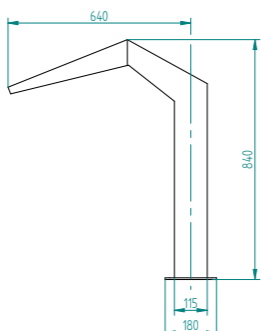
Code	Description
8734020	Gunmetal
8734021	Bronze

### Cascade Standard



Code	Description
8732020	Gunmetal
8732021	Bronze

### Cascade Standard Midi



Code	Description
8732520	Gunmetal
8732521	Bronze

## CONTROL FOR CASCADES

### Installation niche for pneumatic and Piezo switch



#### Purpose:

- tile and foil pools

Code	Description
8710050	Gunmetal
8710051	Bronze

### Bronze flanking kit for installation niche



#### Purpose:

- foil pools

Code	Description
8712550	Gunmetal

### Piezo switch with 5 m cable, lid in acid-resistant steel



#### Purpose:

- tile and foil pools

Code	Description
8716020	Gunmetal

### PIEZO switch button



#### Purpose:

- tile and foil pools

Code	Description
6579504	Piezo button with LED ring

### Pneumatic switch with 5-metre cable, lid in acid-resistant steel



#### Purpose:

- tile and foil pools

Code	Description
8712020	Gunmetal
8712021	Bronze

### Control boxes for Piezo and pneumatic control

The choice should be based on the power of the pump that is included.



Control box	Power	Voltage / phases	Protection	PN box - Code	PIEZO box - Code
	0.5 kW	230 V / 1-faza	2.8- 4 A	7312050	7337750
	1.1 kW	400 V / 3-fazy	2.8- 4 A	7322350	7336850
	2.2 kW	400 V / 3-fazy	4-6 A	7322050	7336540
	2.6 kW	400 V / 3-fazy	6- 9 A	7322060	7336550

CASCADES ROUNDABOUT, CANNON WITH ROUND NOZZLE



## I-Jet



## I-Jet - invisible jet shower

The innovative I-Jet is a jet shower made of acid-resistant steel in a mobile enclosure. With the use of an LED illuminated push button, it extends or disappears into a niche. It is equipped with a 0.5 kW pump, which must be set to a flow rate of 5 m<sup>3</sup>/h. There are 3 different jet heads available: with linear orifice, flat jet or dynamic nozzle. Massage output approx. 19 m<sup>3</sup>/h.

### Pre-assembly set

- material: acid resistant steel type 316
- for foil and tile pools

#### Code

8870050

### Final set

- material: acid resistant steel type 316
- for foil and tile pools

#### Code

8880020

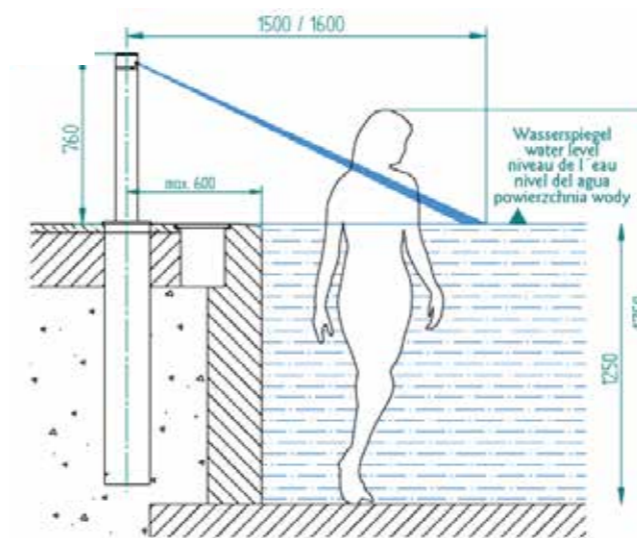
### oflanszowanie

- material: acid resistant steel type 316
- for foil pools

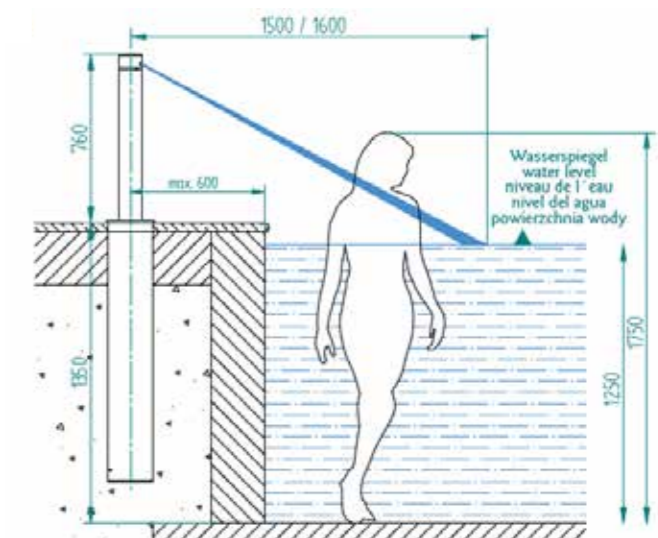
#### Code

8880220

Example of installation in a swimming pool with overflow gutter



Example of installation in a swimming pool



Line bore



Flat jet



Dynamic nozzle



## STAINLESS STEEL CANNONS



Pre-assembly set

**Purpose:**

- tile and foil pools

Code	Description
8730350	Gunmetal
8730351	Bronze



Pre-assembly set

**Purpose:**

- prefabricated swimming pools

Code	Description
8730850	Gunmetal
8730851	Bronze

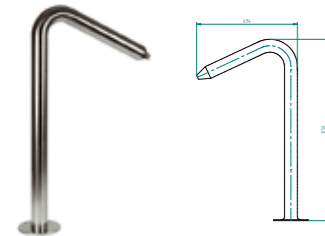


Bronze flanking for the suction part

Code
8674250

All cannons are also available in a DIN-EN European standard version.

### Round nozzle cannon - end set

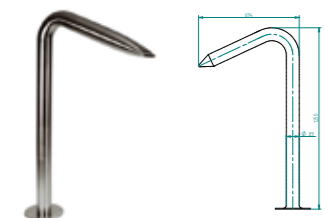


**Complete with:**

- fittings
- gunmetal/bronze pump 1.1 kW, 230/400 V, 50 Hz, three-phase power supply
- cannon made of acid resistant steel type 316L

Code	Description
8741020	Gunmetal
8741021	Bronze

### Cannon with flat jet - end set

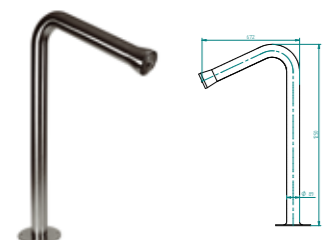


**Complete with:**

- fittings
- gunmetal/bronze pump 2.2 kW, 230/400V, 50 Hz, three-phase power supply

Code	Description
8742020	Gunmetal
8742021	Bronze

### Cannon with bell-type nozzle - end set



**Complete with:**

- fittings
- gunmetal/bronze pump 2.6 kW, 230/400V, 50 Hz, three-phase power supply
- cannon made of acid resistant steel type 316L

Code	Description
8743020	Gunmetal
8743021	Bronze

## CONTROL FOR WATER CANNON

### Installation niche for pneumatic and Piezo switch



**Purpose:**

- tile and foil pools

Code	Description
8710050	Gunmetal
8710051	Bronze

### Bronze flanking kit for installation niche



**Purpose:**

- foil pools

Code	Description
8712550	Gunmetal

### Piezo switch with 5 m cable, lid in acid-resistant steel



**Purpose:**

- tile and foil pools

Code	Description
8716020	Gunmetal

### PIEZO switch button



**Purpose:**

- tile and foil pools

Code	Description
6579504	Piezo button with LED ring

### Pneumatic switch with 5-metre cable, lid in acid-resistant steel



**Purpose:**

- tile and foil pools

Code	Description
8712020	Gunmetal
8712021	Bronze

### Control boxes for Piezo and pneumatic control

The choice should be based on the power of the pump that is included.



Control box	Power	Voltage / phases	Protection	PN box - Code	Skrzynka PIEZO - Code
	0.5 kW	230 V / 1-faza	2.8- 4 A	7312050	7337750
	1.1 kW	400 V / 3-fazy	2.8- 4 A	7322350	7336850
	2.2 kW	400 V / 3-fazy	4-6 A	7322050	7336540
	2.6 kW	400 V / 3-fazy	6- 9 A	7322060	7336550

## MASSAGE SYSTEM STANDARD

**Pre-assembly set** - masonry walkways for tile and foil pools

Sets also available with European DIN-EN standard.



2-nozzle		
Code	Description	Number of suction
8696050	Gunmetal	1
8696051	Bronze	1

4-nozzle		
Code	Description	Number of suction
8696150	Gunmetal	1
8696151	Bronze	1

6-nozzle		
Code	Description	Number of suction
8696250	Gunmetal	1
8696251	Bronze	1

**Final set** - The set includes a pump, Piezo controller and switch, and an acid-resistant steel cover.

Kits available in DIN-EN European standard.

2-nozzle		
Code	Description	Pump power
8697020	Gunmetal	0.5kW
8697021	Bronze	0.5kW

4-nozzle		
Code	Description	Pump power
8697120	Gunmetal	1.5kW
8697121	Bronze	1.5kW

2-nozzle		
Code	Description	Pump power
8698020*	Gunmetal	0.5kW
8698021*	Bronze	0.5kW

6-nozzle		
Code	Description	Pump power
8697220	Gunmetal	1.5kW
8697221	Bronze	1.5kW

**Purpose:**

\*prefabricated swimming pools

## ACCESSORIES

**Bronze flanking sets for foil pools**

Available in DIN-EN European standard on request.



Code	Description
8669950	2-nozzle set
8696750	4-nozzle set
8696850	6-nozzle set

## MASSAGE COMPONENTS STANDARD



Pressure nozzle wall passage,  
Length 240 mm

**Purpose:**

- tile and foil pools

Code	Description
8669850	Gunmetal
8669851	Bronze



**Bronze masonry press passage flanking set**

**Purpose:**

- foil pools

Code	Description
8669550	Bronze



# COMBI-WHIRL MASSAGE SYSTEM

**Pre-assembly set** - masonry walkways for tile and foil pools  
Sets also available with European DIN-EN standard.\*



1-nozzle		
Code	Description	Number of suction
8680050	Gunmetal	1
8680051	Bronze	1

2-nozzle		
Code	Description	Number of suction
8600050	Gunmetal	1
8600051	Bronze	1

3-nozzle		
Code	Description	Number of suction
8640050	Gunmetal	2
8640051	Bronze	2

4-nozzle		
Code	Description	Number of suction
8620050	Gunmetal	2
8620051	Bronze	2

**Final set** - The set includes a pump, an acid-resistant steel cover and an aspirator.  
Sets also available with European DIN-EN standard.\*

1-nozzle		
Code	Description	Pump power
8690020	Gunmetal	2.2kW
8690021	Bronze	2.2kW

2-nozzle		
Code	Description	Pump power
8610020	Gunmetal	2.6kW
8610021	Bronze	2.6kW

3-nozzle		
Code	Description	Pump power
8650020	Gunmetal	4kW
8650021	Bronze	4kW

4-nozzle		
Code	Description	Pump power
8631020	Gunmetal	5.5kW
8631021	Bronze	5.5kW

\*For an offer, contact the sales department.

# ACCESSORIES



Flanking set

Code	Description
8674250	For suction and pressure nozzles
9161550	For suction nozzles G 2½" / DN 65

# CONTROL

Switches		
Code	Description	Material
8710050	Pneumatic switch and PIEZO	Gunmetal
8710051		Bronze
8712020	Pneumatic switch with 5m cable	Gunmetal
8712021		Bronze
8716020	PIEZO switch with 5m cable	V4A steel
8712550	Flanking kit for foil pools	Bronze



400V DS/3-phase control boxes			
Code PN	Code PIEZO	Power	Security
7322050	7336540	2.2 kW	4-6A
7322060	7336550	2.6/3.0 kW	6-9A
7335050	7336350	4.0 kW	6.3-10A
7335550	7336450	5.5 kW	10-16A



## AIR MASSAGE BENCHES



### Pre-assembly set single, short massage bench:

- Masonry culvert 240 mm
- PVC connection 40/50

#### Purpose:

- tile and foil pools

Code	Description
8795150	Gunmetal
8795151	Bronze



### Final set single, short massage bench.

#### Complete with:

- Cover in acid-resistant steel 250 mm
- Blower 0.5 kW

Code
8792020E



### Pre-assembly set single, long massage bench:

- Masonry culvert 482 mm
- PVC connection 40/50

#### Purpose:

- tile and foil pools

Code	Description
8795050	Gunmetal
8795051	Bronze



### Final set single, long massage bench.

#### Complete with:

- Cover in acid-resistant steel 500 mm
- Blower 0.5 kW

Code
8790020E



### Pre-assembly set double short massage bench:

- Masonry culvert 240 mm
- PVC connection 40/50

#### Purpose:

- tile and foil pools

Code	Description
8795250	Gunmetal
8795251	Bronze



### Final set double short massage bench.

#### Complete with:

- Cover in acid-resistant steel 250 mm
- Blower 0.5 kW

Code
8792120E



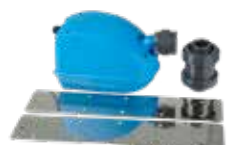
### Pre-assembly set double long massage bench:

- Masonry culvert 482 mm
- PVC connection 40/50

#### Purpose:

- tile and foil pools

Code	Description
8796050	Gunmetal
8796051	Bronze



### Final set double long massage bench.

#### Complete with:

- Cover in acid-resistant steel 500 mm
- Blower 0.9 kW

Code
8791020E

## MASSAGE BENCH CONTROL



### Installation niche for pneumatic and Piezo switch

#### Purpose:

- tile and foil pools

Code	Description
8710050	Gunmetal
8710051	Bronze



### Bronze flanking kit for installation niche

#### Purpose:

- foil pools

Code
8712550



### Piezo switch with 5 m cable, cover in stainless steel

#### Purpose:

- tile and foil pools

Code
8716020



### Pneumatic switch with 5-metre cable, lid in acid-resistant steel

#### Purpose:

- tile and foil pools

Code	Description
8712020	Gunmetal
8712021	Bronze



### Control box

#### Purpose:

- sterowanie pneumatyczne; dmuchawy with a power of 0.5/ 0.9 kW

Code
7311050



### Control box

#### Purpose:

- control PIEZO; dmuchawy with a power of 0.5/ 0.9 kW

Code
7337650

We also offer controls for swimming pools prefabricated pools - check with your sales advisor.

# BOTTOM MASSAGE SYSTEM "GEJSER" AIR MASSAGE SYSTEM

**Hugo Lahme**

Perfection in every element.



**Pre-assembly set:**

- Angled masonry culvert
- Connections - female threads GW 2" Length 240 mm

**Purpose:**

- tile and foil pools

Code	Description
8500050	Gunmetal
8500051	Bronze



**Pre-assembly set:**

- Vertical masonry culvert
- Connection - female threads GW 2" with installation recess for PIEZO switch

**Purpose:**

- tile and foil pools

Code	Description
8510050	Gunmetal
8510051	Bronze



**Pre-assembly set:**

- Lateral 90° masonry culvert
- Connection - female thread GW 1 1/2", side outlet PVC 63/50 with installation recess for PIEZO switch

**Purpose:**

- for mounting the underwater light kit
- tile and foil pools

Code	Description
8503050	Gunmetal
8503051	Bronze

**Final set GEJZER**

**Included:**

- Air compressor 1.1 kW
- Non-return valve
- Piezo controller and switch
- Cover in acid-resistant steel

**Purpose:**

- tile and foil pools

Code	Description
8530020	Gunmetal
8530021	Bronze



**Final set GEJZER**

**Included:**

- Air compressor 1.1 kW
- Non-return valve
- Piezo controller and switch
- Cover in acid-resistant steel
- Flanking with screws

**Purpose:**

- prefabricated swimming pools

Code	Description
8540020	Gunmetal
8540021	Bronze



**Final set GEJZER**

**with underwater lighting**

**Included:**

- Air compressor 1.1 kW
- Non-return valve
- Piezo controller and switch
- Cover in acid-resistant steel
- 3er Power Led RGB lighting
- Power supply and dimmer

**Purpose:**

- prefabricated swimming pools

Code	Description
8540020	Gunmetal
8540021	Bronze



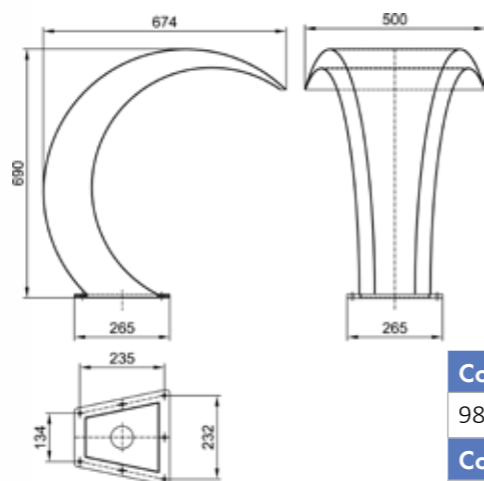
## THE SNAKE CASCADES

SNAKE - complete stainless steel kit for foil pools

# PERAQUA®



Suction



PIEZO switch

Code	Description
980001	polished steel
Code	Description
980002	brushed steel

Pump



- 400 V power supply
- 2,5 kW
- 63mm connections
- Capacity 42m<sup>3</sup>/h\*

\*With a water head of 9m

### The kit includes:

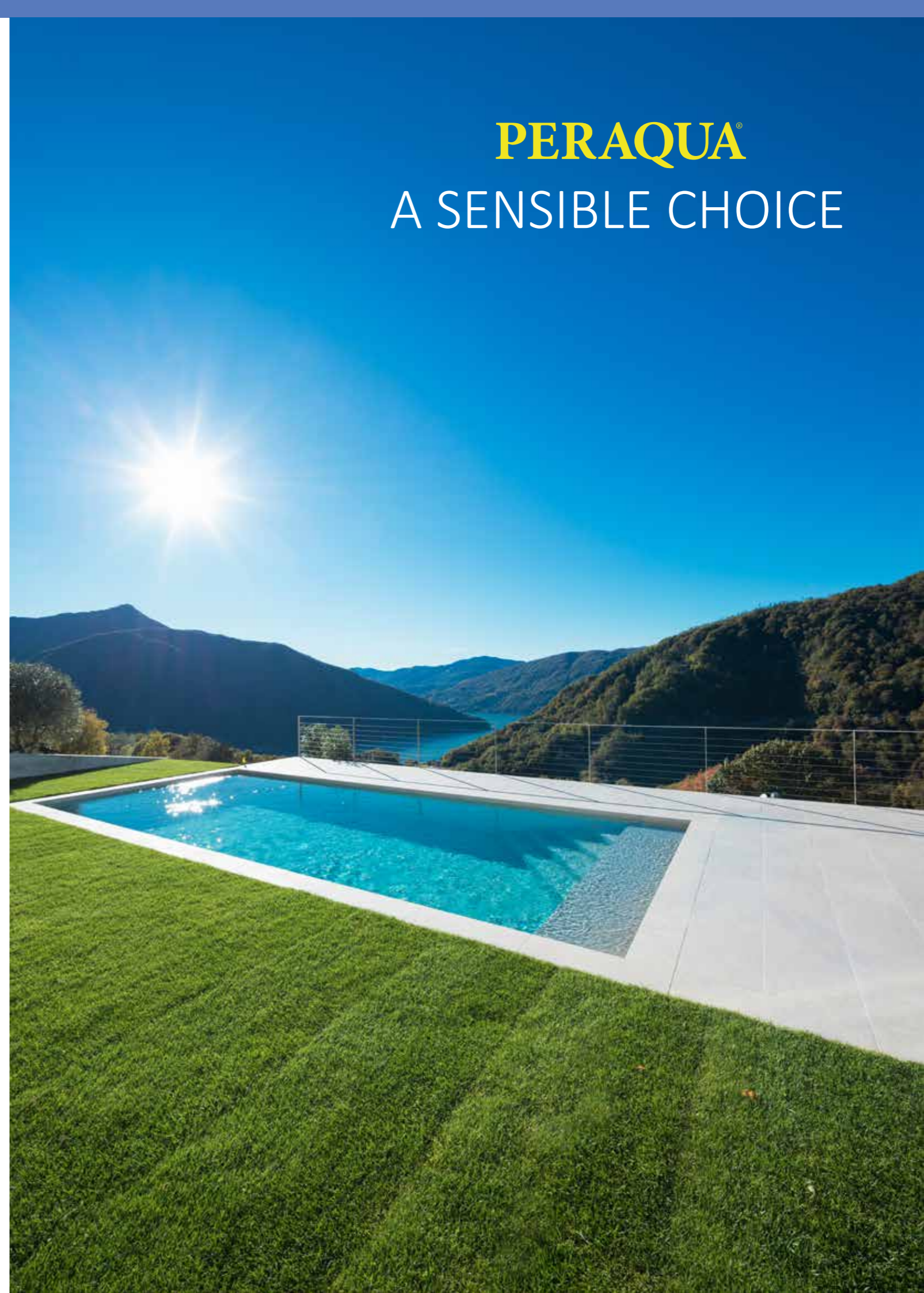
- cascade model SNAKE made of acid-resistant steel type 316L, polished or brushed
- Mounting anchor
- intake for foil pools GW 2½"
- pump
- PIEZO switch for foil pools

## LOW-PRICED SET



# PERAQUA®

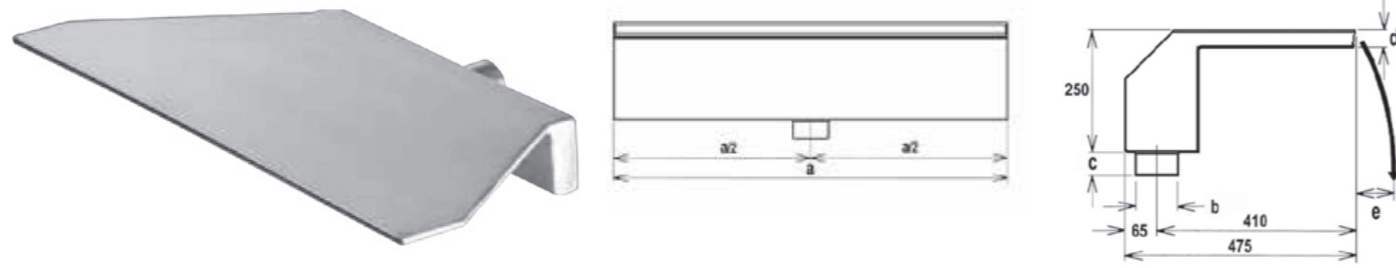
## A SENSIBLE CHOICE



# STEEL CASCADES



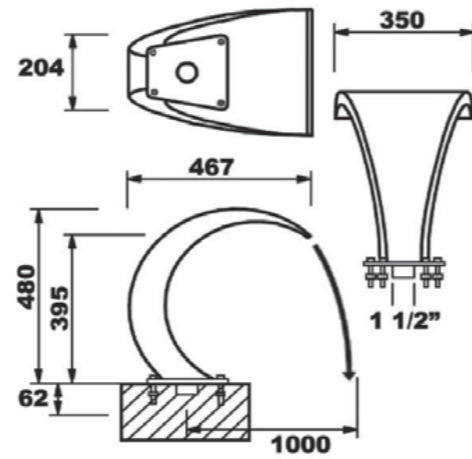
## MAUI - of acid resistant steel type 316



Code	Reference	Recommended pump	Flow [m³/h]	Dimensions [mm]			
				a	b	c	d
074030030010	CMAU 300	0.33 kW	10	300	2"	42	25
074030050010	CMAU 500	0.55 kW	20	500	2"	42	25
074030100010	CMAU 1000	2.20 kW	35	1000	3"	48	35

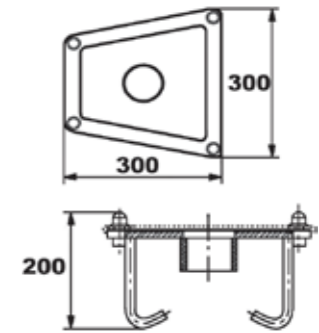
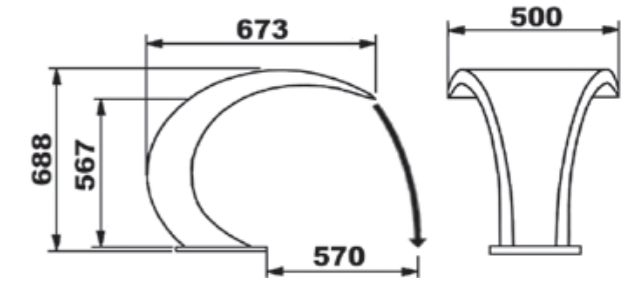
Designed for incorporation, not for surface anchoring. Type of steel 316, anchor not required for installation.

## BALI MINI



Code	Reference	Type of steel	Mounting anchor	Connection	Flow [m³/h]	Recommended pump
074010035110F	CBAM 350	316 acid resistant steel	is not required	1 1/2"	20	0.75 kW
074010035101	CBAM 351	304 stainless steel	is not required	1 1/2"	20	0.75 kW

## BALI

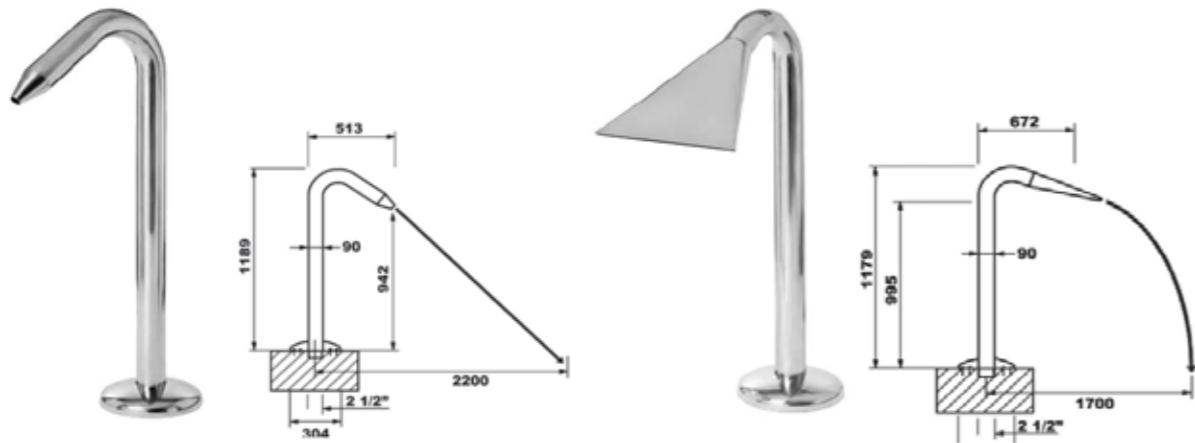


Code	Reference	Product name	Type of steel	Mounting anchor	Connection	Flow [m³/h]	Dimensions: W x H [mm]
074010050010	CBA 500	Cascade Bali	316 polished	CBAAN required: none included	—	30	500 x 688
074010050110	CBA 501	Cascade Bali	316 matt	CBAAN required: none included	—	30	500 x 688
074011105000	CBAAN	Mounting anchor	316	—	2"	—	300 x 200
074012105000	CBAE00	Decorative grille for CBA 500	316 polished	—	—	—	—

# STAINLESS STEEL CANNONS

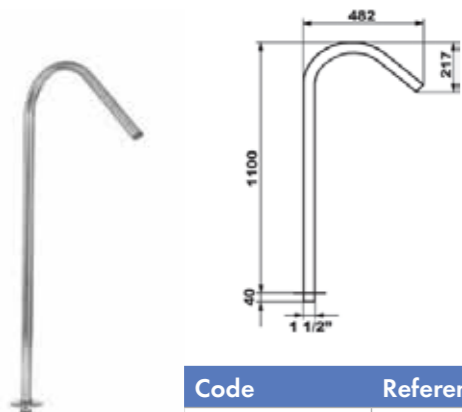


## CAPRI



Code	Reference	Product name	Connection	Flow [m <sup>3</sup> /h]	Dimensions: W x H [mm]
07410101000	CCC	Capriz cannon with round nozzle	2 1/2"	20	513 x 1189
074101010200	CCP	Capriz cannon with flat nozzle	2 1/2"	22	672 x 1179

## TAHITI cannon with interchangeable cartridges



Code	Reference	Product name
074102010100	JABC	Circular nozzle
074102010200	JABP1	Flat nozzle
074102010400	JABP4	4-stream nozzle
074102010600	JABC6	6-stream nozzle

Code	Reference	Product name	Connection	Flow [m <sup>3</sup> /h]	Recommended pump
074103010000	CTA	Tahiti cannon without nozzle	GW 1 1/2" Ø 43 mm	6	0,33 kW

### JABC



### JABP1



### JABP4



### JABC6



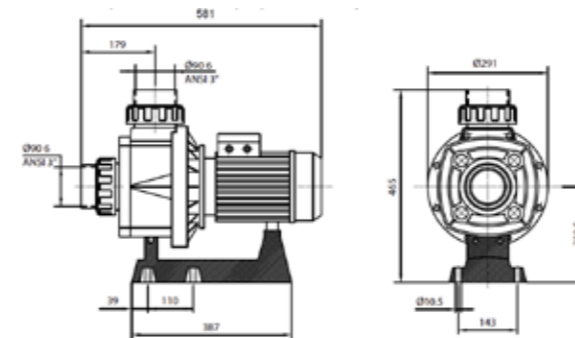
# COUNTERFLOW PUMPS



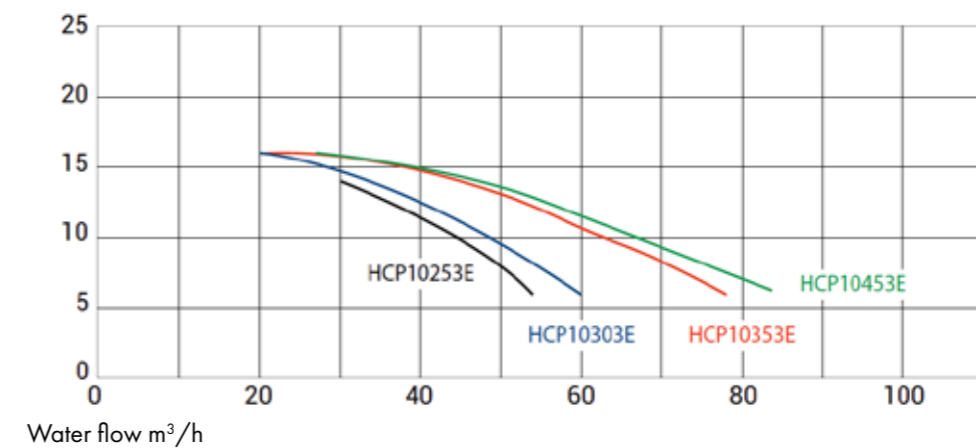
## HCP 1000

Centrifugal pumps for water attractions, spas.

- Turbine made of reinforced Noryl
- Pump suitable for use in saltwater / sea water
- Housing made of thermosetting plastic
- Inlet/outlet connections 90mm



Water column pressure (m)

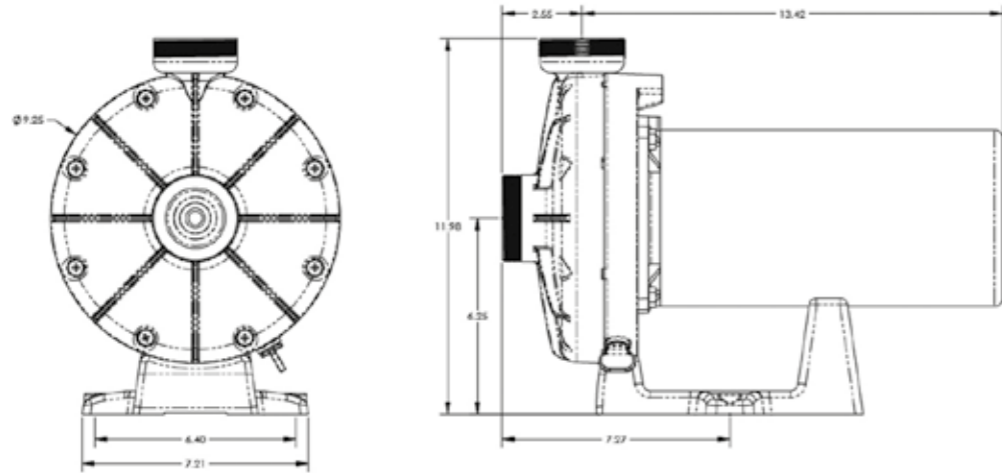


Code	P2 (kW)	Flow (m <sup>3</sup> /h)*	Engine
HCP10251E	2.5	44	Single-phase 230V
HCP10301E	3	48	Single-phase 230V
HCP10253E	2.5	44	Three-phase 230/400V <b>IE3</b> ✓
HCP10303E	3	48	Three-phase 230/400V <b>IE3</b> ✓
HCP10453E	3.5	63	Three-phase 230/400V <b>IE3</b> ✓
HCP10453E	4.5	67	Three-phase 230/400V <b>IE3</b> ✓
HCP10553E7	5.5	68	Three-phase 230/400V <b>IE3</b> ✓

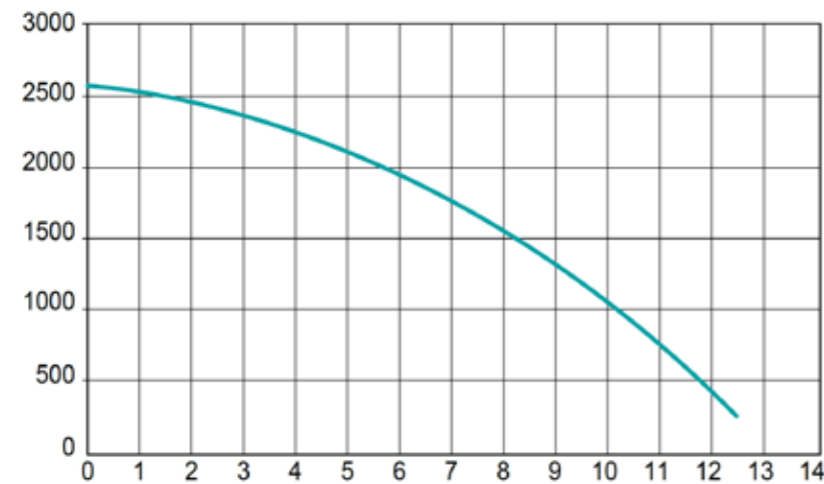
P2: Rated power

\* 10m Water column pressure

- Suitable for use in salt water
- Max. water temperature: 35°C
- 50 mm connections included
- Easy installation
- Extremely quiet operation



Water column pressure (m)



Water flow m³/h

Code	Output power P2	Intensity	Power	Power supply
SP6050E	0.83 kW	4.8 A	1 HP	230 V

# Filtration



PRIVATE FILTRATION TECHNOLOGY	198
STAINLESS STEEL FILTER VESSELS	204
PUBLIC FILTRATION TECHNOLOGY	206
CARDBOARD FILTERS	210
POLYETHYLENE FILTERS	212
LAMINATED FILTERS	213
FILTER SETS	214
FILTER VESSELS	215
PREMIUM POOL FILTER BED	220
GLASS FILTRATION MEDIA	221
ACTIVATED CARBON	221
FILTER CONTROLLERS	222
6-WAY VALVES	225
BACKWASH VALVES, 6-WAY, MANUAL	226
BADU OMNITRONIC	233
BESGO PILLAR VALVES	234
FILTER PUMPS	236
PUMPS WITH MAGNETIC COUPLING	243
PUMPS WITH INTEGRATED FREQUENCY CONVERTERS	244
BADU PUBLIC LINE	249
PUMPS FOR PUBLIC PROJECTS	250
BRONZE FILTER PUMPS	251
FREQUENCY CONVERTERS	258
MANHOLES FOR TECHNICAL ROOMS	258

## PRIVATE FILTRATION TECHNOLOGY

### DESCON® HOME

Filter tanks made of high quality glass fibre reinforced polyester



#### BASIC system

##### Product information:

- Test pressure: 2.6 bar
- Tank colour: descon® green
- Filter base / covers / protective caps: black
- Operating temperature: max. 40°C
- 5-year manufacturer's warranty
- Conformity with EN 16713-1:2016 / Part 1 Filtration systems\*

\* Applies to pressure testing, turbidity reduction and retention capacity.

Code	Tank diameter (mm)	Tank height (mm)	Filter area (m <sup>2</sup> )	Pool size (m <sup>3</sup> )	Flow (m <sup>3</sup> /h)	Filling opening DN	Maintenance hole DN	Quantity of quartz bed 0.40-0.80 mm (kg)
51000	500	630	0.20	50	10	210	x	100
51001	610	735	0.29	75	15	210	x	175
51002	765	760	0.46	115	23	210	x	300

#### BASIC system PLUS

##### Product information:

- Test pressure: 2.6 bar
- Tank colour: descon® green
- Filter base/ covers/ protective caps: black
- Operating temperature: max. 40°C
- 5-year manufacturer's warranty
- Conformity with EN 16713-1:2016 / Part 1 Filtration systems\*

\* Applies to pressure testing, turbidity reduction and retention capacity.



Code	Tank diameter (mm)	Tank height (mm)	Filter area (m <sup>2</sup> )	Pool size (m <sup>3</sup> )	Flow (m <sup>3</sup> /h)	Filling opening DN	Maintenance hole DN	Quantity of quartz bed 0.40-0.80 mm (kg)
D 51010	500	630	0.20	50	10	290	x	100
D 51011	610	735	0.29	75	15	290	x	175

### PREMIUM System

Multilayer tanks

##### Product information:

- Test pressure: 2.6 bar
- Tank colour: descon® green
- Filter base/ covers/ protective caps: black
- Operating temperature: max. 40°C
- 5-year manufacturer's warranty
- Conformity with EN 16713-1:2016 / Part 1 Filtration systems\*

\* Applies to pressure testing, turbidity reduction and retention capacity.



Code	Tank diameter (mm)	Tank height (mm)	Filter area (m <sup>2</sup> )	Pool size (m <sup>3</sup> )	Flow (m <sup>3</sup> /h)	Filling opening DN	Maintenance hole DN
51019	500*	950	0.20	50	10	210	It does not have*
51020	610	1080	0.29	75	15	210	177
51021	765	1150	0.46	115	23	210	177
51022	920	1150	0.65	165	33	210	177

\* Due to the manufacturing process, the 500 tank does not have a side maintenance opening.

##### Filling table

Code	Tank diameter (mm)	Quantity of quartz bed 0.40-0.80 mm (kg)	Quantity of quartz bed 0.75-1.25 mm (kg)	Quantity of quartz bed 1.00-2.00 mm (kg)
51019	500	150	-	-
51020	610	175	25	25
51021	765	300	25	25
51022	920	425	50	50

System EXCLUSIV

Multilayer tanks



Product information:

- Test pressure: 2.6 bar
- Tank colour: descon® green
- Filter base/ covers/ protective caps: black
- Operating temperature: max. 40°C
- 5-year manufacturer's warranty
- Conformity with EN 16713-1:2016 / Part 1 Filtration systems\*

\* Applies to pressure testing, turbidity reduction and retention capacity.

Code	Tank diameter (mm)	Quantity of quartz bed 0.40-0.80 mm (kg)	Quantity of quartz bed 0.75-1.25 mm (kg)	Quantity of quartz bed 1.00-2.00 mm (kg)	Quantity of activated carbon 1.4-2.5 mm (kg)
<b>Quartz bed filling</b>					
51029	500	200	25	25	Not applicable
51030	610	300	50	50	
51031	765	350	100	100	
51032	920	850	100	100	
51033	1080	1200	150	150	
51034	1250	1800	200	200	
51035	1450	2250	250	250	
51036	1850	3600	450	450	
<b>Multilayer, mixed filling</b>					
51029	500	150	25	25	25
51030	610	200	50	50	25
51031	765	250	100	100	50
51032	920	700	100	100	50
51033	1080	950	150	150	75
51034	1250	1500	200	200	100
51035	1450	1900	250	250	125
51036	1850	3100	450	450	175

Code	Tank diameter (mm)	Tank height (mm)	Filter area m <sup>2</sup>	Pool size m <sup>3</sup>	Flow (m <sup>3</sup> /h)	Filling opening DN	Maintenance hole DN	Inspection opening DN
51029	500	1500	0.20	50	10	210	210	x
51030	610	1500	0.29	75	15	210	210	x
51031	765	1500	0.46	115	23	210	210	x
51032	920	1920	0.65	165	33	210	210	x
51033	1080	1920	0.92	230	46	430	430	x
51034	1250	200	1.23	310	62	430	430	x
51035	1450	2200	1.66	415	83	500	500	177
51036	1800	2200	2.55	640	128	500	500	177

DRESDEN<sup>3</sup>

Made of glass fibre reinforced polyester resin. With large transparent inspection opening DN 300 (D 500 - D 750) at the top and DN 220 (D 400) at the side, with profiled foot, integrated filter cross, drain valve with hose connection, pressure gauge and manual air vent.

Product information:

- Compliant with the standard DIN EN 16713
- Without valve kit; with threaded connection
- Operating pressure: max. 2,5 bar
- Operating temperature: max. 40 °C
- Tank colour: RAL 7035 (light grey)

Surcharge for ozone resistance 8 % of the list price.

Code	Ø external [mm]	Ø in. x H [mm]	Valve	Filter area m <sup>2</sup>	Service opening
708 400 02-19	425	400 x 830	1½"	0.13	220mm
708 500 02-20	525	500 x 910	1½"	0.20	300mm
708 600 02-20	625	600 x 980	1½"	0.28	300mm
708 750 02-18	780	750 x 1240	2"	0.45	300mm
<b>Accessories</b>					
392 500 08-16	6-way valve (complete) 1½"				
392 500 09-16	6-way valve (complete) 2"				
392 320 00	Column valve DN 40 125mm				
392 320 03	Column valve DN 50 140mm				

Required filter material for DRESDEN<sup>3</sup> filter tank

AFM

The actual quantity of filter material required may vary slightly, as it is rounded up to the nearest whole packaging unit (bag).



Code	Ø external [mm]	Gradation 1 (0,4-0,8) [bag]	Gradation 2 (0,7-2,0) [bag]
390 115 29-1	425	2	1
390 121 70	525	3	2
390 121 71	625	4	4
390 122 02	780	9	9

## BÜHNE<sup>3</sup>

Made of glass fibre reinforced polyester resin. With internal seal, large service opening on top DN 300 and on the side DN 220, with integrated filter cross, drain valve with hose connection, pressure gauge and manual venting.

### Product information:

- Compliant with the standard DIN EN 16713
- Without valve kit; with threaded connection
- Operating pressure: max. 2,5 bar
- Operating temperature: max. 40 °C
- Tank colour: RAL 7035 (light grey)

Surcharge for ozone resistance 8 % of the list price.

Code	Ø external [mm]	Ø in. x H [mm]	Valve	Filter area m2	Service opening
709 500 02-20	525	500 x 1120	1½"	0.20	300mm
709 600 02-20	625	600 x 1130	1½"	0.28	300mm
709 750 02-18	780	750 x 1240	2"	0.45	300mm
Accessories					
392 500 08-16	6-way valve (complete) 1½"				
392 500 09-16	6-way valve (complete) 2"				
392 320 00	Column valve DN 40 125mm				
392 320 03	Column valve DN 50 140mm				



### Required filter material for the BÜHNE<sup>3</sup> filter tank

AFM

The actual quantity of filter material required may vary slightly, as it is rounded up to the nearest whole packaging unit (bag).



Code	Ø external [mm]	Gradation 1 (0,4-0,8) [bag]	Gradation 2 (0,7-2,0) [bag]
390 121 73	525	4	4
390 121 74	625	6	5
390 114 10	780	10	9

## BERLIN<sup>3</sup> - High-layer filter tank

Made of glass fibre reinforced polyester resin. With internal seal, large service opening at top DN 300 and side DN 220, with integrated filter cross, drain valve with hose connection, pressure gauge and manual venting.

### Product information:

- Compliant with the standard DIN EN 16713
- Without valve kit; with threaded connection
- Operating pressure: max. 2,5 bar
- Operating temperature: max. 40 °C
- Tank colour: RAL 7035 (light grey)

Surcharge for ozone resistance 8 % of list price.

Code	Ø external [mm]	Ø in. x H [mm]	Zawór	Filter area m2	Service opening
391 500 02-20	525	500 x 1480	1½"	0.20	300mm
391 600 02-20	625	600 x 1450	2"	0.28	300mm
391 750 02-18	780	750 x 1500	2"	0.45	300mm
Accessories					
392 500 08-16	6-way valve (complete) 1½"				
392 500 09-16	6-way valve (complete) 2"				
392 320 00	Column valve DN 40 125mm				
392 320 03	Column valve DN 50 140mm				



### Required filter material for the BERLIN<sup>3</sup> filter tank

AFM

The actual quantity of filter material required may vary slightly, as it is rounded up to the nearest whole packaging unit (bag).



Code	Ø external [mm]	Gradation 1 (0,4-0,8) [bag]	Gradation 2 (0,7-2,0) [bag]
390 121 75	525	5	5
390 121 76	625	7	7
390 121 22	780	12	11

## FILTER VESSELS OF STAINLESS STEEL



### Europa 1010<sup>2</sup>

Polished stainless steel, material V4A (1.4404), lid (opening for ease of operation) with clamping ring, integrated cross-flow filter, drain valve with hose connection, manometer and manual air vent.

#### Product information:

- With screw connection
- Operating pressure: max. 2,0 bar
- Operating temperature: max. 40 °C

Code	Ø x Height [mm]	Zawór	Filter area m <sup>2</sup>	Dedicated pump
100 450 02-16	450 x 725	2"	0.16	Prime 7 / Magna 8
100 550 02-16	550 x 750	2"	0.24	Prime 11 / Magna 12
100 650 02-16	630 x 750	2"	0.31	Prime 13 / Magna 14
Accessories				
392 500 08-16	6-way valve (complete) 1½"			
392 500 09-16	6-way valve (complete) 2"			
392 320 00	Column valve DN 40 125mm			
392 320 03	Column valve DN 50 140mm			



#### Required filter material for the filter vessel Europa 1010<sup>2</sup>

AFM

The actual quantity of filter material required may vary slightly, as it is rounded up to the nearest whole packaging unit (bag).



Code	Ø external [mm]	Gradation 1 (0,4-0,8) [bag]	Gradation 2 (0,7-2,0) [bag]
390 121 78	450	2	1
390 121 79	550	2	2
390 121 80	630	3	3



### Multilayer 2010<sup>2</sup>

Polished stainless steel, material V4A (1.4404), cover (service opening) with clamp ring, integrated filter cross, drain valve with hose connection and pressure gauge, and manual venting. Particularly good filter capacity due to increased overall height and special sand filling.

#### Product information:

- With screw connection
- Operating pressure: max. 2,0 bar
- Operating temperature: max. 40 °C

Code	Ø x Height [mm]	Valve	Filter area m <sup>2</sup>	Dedicated pump
200 450 02-16	450 x 895	2"	0.16	Prime 7 / Magna 8
200 550 02-16	550 x 910	2"	0.24	Prime 11 / Magna 12
200 650 02-16	630 x 920	2"	0.31	Prime 13 / Magna 14
Accessories				
392 500 08-16	6-way valve (complete) 1½"			
392 500 09-16	6-way valve (complete) 2"			
392 320 00	Column valve DN 40 125mm			
392 320 03	Column valve DN 50 140mm			



#### Required filter material for the filter vessel Multilayer 2010<sup>2</sup>

AFM

The actual quantity of filter material required may vary slightly, as it is rounded up to the nearest whole packaging unit (bag).



Code	Ø external [mm]	Gradation 1 (0,4-0,8) [bag]	Gradation 2 (0,7-2,0) [bag]
390 121 81	450	2	2
390 121 82	550	3	2
390 121 83	630	4	4

DESCON® NORM

Filter tank made of high quality glass fibre reinforced polyester with nozzle bottom

Product information:

- Operating pressure: max. 2.0 bar
- Test pressure: 2.6 bar
- Tank colour: descon® green
- Filter base / covers / protective caps: black
- Operating temperature: max. 40°C
- Conformity with DIN 19605 and DIN 19643
- 5-year manufacturer's warranty



Code	Tank diameter (mm)	Tank height (mm)	Filter area m²	Flow volume (m³/h)		Filling opening DN	Maintenance hole DN	Inspection opening DN
				At 30m³/h	At 50 m³/h			
52000	610	2100	0.29	8.4	14	210	210	x
52001	765	2350	0.46	13.8	23	210	210	x
52002	920	2325	0.65	19.5	32.5	210	210	x
52003	1080	2450	0.92	27.6	46	430	430	x
52004	1250	2530	1.23	36.9	61.5	430	430	x
52005	1450	2710	1.66	49.8	83	500	500	150
52006	1800	2850	2.55	76.2	127	500	500	150
52007*	2000	2200	3.14	94.2	157	500	430	50

\*This model consists of 2 parts

ACCESSORIES

Type A ventilation valve

- of stainless steel
- GW ¾" female thread and male thread GZ ½"

Destination:  
descon® norm tanks 610 - 920 mm

Code
55027

Type B ventilation valve

- of stainless steel
- GW ¾" female thread and GZ ½" male thread

Destination:  
descon® standard tanks 1080 - 2000 mm

Code
55028

6-way manual valve 3"

Destination:  
descon® standard tanks 610 - 1250 mm

Code
55035



illustrative photo

Complete range on request @

MÜNCHEN - high-pressure filter tank with nozzle bottom

Plastic tank made of glass fibre reinforced polyester resin. Inner gasket and inspection opening on top. Internal raw water piping reinforced with counter bearing, nozzle bottom, large side service opening and 150 x 50 mm sight glass. Pressure vessel inspection by experts in accordance with factory standard. \* Factory standard manhole.

Product information:

- Manhole Compliant with the factory standard
- Operating pressure 2,5 bar
- Test pressure 3,575 bar
- Max. operating temperature 40 °C
- Tank colour: RAL 7035 (light grey)

Not for use in continuous sunlight conditions and/or for use in solar systems.

Code	Outside Ø [mm]	Inside Ø [mm]	Height [mm]	Filter capacity*	Pipe/flange connection
861 600 00-16	630	600	1800	9 m³/h	DN80/DN50
861 800 00-16	840	800	1800	15 m³/h	DN80/DN65
861 100 03-19	1050	1000	1830	24 m³/h	DN125/DN100
861 120 03-19	1260	1200	1800	34 m³/h	DN125/DN125
861 140 03-16	1430	1400	2035	46 m³/h	DN150/DN125

\*at a flow rate of 30m/h

Required filter material for the filter vessel MÜNCHEN

AFM

The actual quantity of filter material required may vary slightly, as it is rounded up to the nearest whole packaging unit (bag).



Ø external [mm]	Gradation 1 / Gradation DIN	Gradation 2	Gradation 3
600	8	8	0
800	13	7	7
1000	21	11	11
1200	30	15	15
1400	41	21	21

## GOSLAR<sup>2</sup> - single- and multi-layer filter vessels

Plastic tank in accordance with DIN19605\*/19643, made of glass fibre reinforced polyester resin. Internal seal and inspection port at top and bottom. Internal raw water piping reinforced with opposing bearing, nozzle bottom, large side service opening and 150 x 50 mm sight glass. Pressure tank inspection by an expert in accordance with factory standard.

### Product information:

- Manhole Compliant with the factory standard
- Operating pressure 2,5 bar
- Test pressure 3,575 bar
- Max. Operating temperature 40 °C
- Tank colour: RAL 7035 (light grey)

Surcharge for ozone resistance: 8% of list price.

Surcharge for food grade: 8% of the list price.



Table 1 : GOSLAR<sup>2</sup> standard shell height 1 700 mm

Code	Outside Ø [mm]	Inside Ø [mm]	Height [mm]	Filter capacity*	Pipe/flange connection
870 600 00-16	620	600	2120	9 m <sup>3</sup> /h	DN80 / DN50
870 800 00-16	825	800	2180	15 m <sup>3</sup> /h	DN80 / DN65
870 100 00-16	1020	1000	2300	24 m <sup>3</sup> /h	DN125 / DN100
870 120 00-16	1230	1200	2460	34 m <sup>3</sup> /h	DN125 / DN125
870 140 00-18	1430	1400	2570	46 m <sup>3</sup> /h	DN150 / DN125

\*at a flow rate of 30m/h

Tabela 2 : GOSLAR<sup>2</sup> large shell height 2 000 mm

Code	Outside Ø [mm]	Inside Ø [mm]	Height [mm]	Filter capacity*	Pipe/flange connection
870 600 01-16	620	600	2380	9 m <sup>3</sup> /h	DN80 / DN50
870 800 01-16	825	800	2500	15 m <sup>3</sup> /h	DN80 / DN65
870 100 01-16	1020	1000	2560	24 m <sup>3</sup> /h	DN125 / DN100
870 120 01-16	1230	1200	2650	34 m <sup>3</sup> /h	DN125 / DN125
870 140 01-18	1430	1400	2770	46 m <sup>3</sup> /h	DN150 / DN125

\*at a flow rate of 30m/h

## Filling tables

### Required filter material for the filter vessel GOSLAR<sup>2</sup>

AFM

Assuming a filling height of **1200mm**

The actual quantity of filter material required may vary slightly, as it is rounded up to the nearest whole packaging unit (bag).

Internal tank Ø	Gradation 1 / Gradation DIN	Gradation 2	Gradation 3
600	10	10	0
800	18	9	9
1000	28	14	14
1200	40	20	20
1400	55	27	27



### Required filter material for the filter vessel GOSLAR<sup>2</sup>

AFM

Assuming a filling height of **1500mm**

The actual quantity of filter material required may vary slightly, as it is rounded up to the nearest whole packaging unit (bag).

Internal tank Ø	Gradation 1 / Gradation DIN	Gradation 2	Gradation 3
600	13	13	0
800	22	11	11
1000	35	18	18
1200	50	25	25
1400	69	34	34



# CARTRIDGE FILTERSE

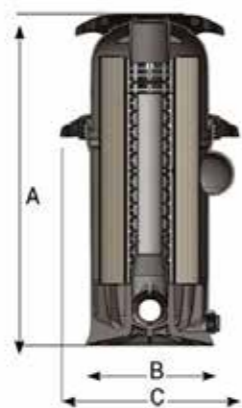


## Product information:

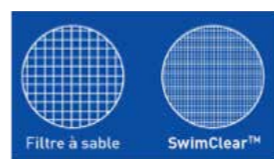
- Very fine filtration (20 to 25 microns)
- Easy to maintain: only one filter element to clean
- Ease of installation
- NSF certification
- Excellent hydraulic system that reduces pressure loss in the installation
- Compact design with minimal ground coverage
- No backwash: saves water, heating and chemicals (ideal in combination with a salt chlorinator salt chlorinator, as there is no salt loss)
- Can be installed outdoors thanks to the housing weather-resistant housing
- 10-year warranty on tank, 5 years on equipment

## Technical data:

- Maximum pressure : 3.5 bara
- Maximum water temperature 40° C
- Tank made of reinforced polymer
- Suitable for salt water
- 50/63mm connections



2x more efficient FILTRATION



## SWIMCLEAR™ - for small pools

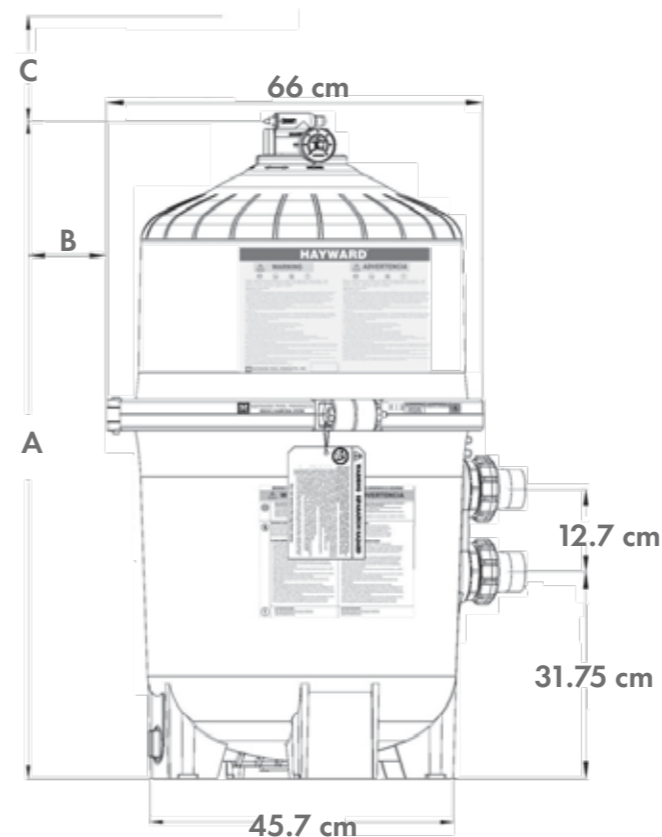
Code	Filter area	Dimensions [mm]			Equivalent flow (sand filter)	Replacement cartridge code*
		A	B	C		
C100SE	9,3m <sup>2</sup>	775	330	464	20m <sup>3</sup> /h	CX100XRE
C150SE	14m <sup>2</sup>	857	330	464	25m <sup>3</sup> /h	CX150XRE
C200SE	18,6m <sup>2</sup>	984	330	464	30m <sup>3</sup> /h	CX200XRE

\*1 filter contains 1 replacement cartridge.



## SWIMCLEAR™ - greater filtration capacity

Code	Filter area	Dimensions [mm]			Equivalent flow (sand filter)	Connections	Replacement cartridge code	Required quantity of cartridge
		A	B	C				
C3030EURO	30m <sup>2</sup>	880	457	660	14m <sup>3</sup> /h	50mm	CX580XRE	4pcs.
C4030EURO	39m <sup>2</sup>	1030	457	660	22m <sup>3</sup> /h	50mm	CX880XRE	4pcs.
C5030EURO	49m <sup>2</sup>	1180	457	660	30m <sup>3</sup> /h	50/63mm	CX1280XRE	4pcs.
C7030EURO	63m <sup>2</sup>	1330	457	660	35m <sup>3</sup> /h	63mm	CX591XRE	8pcs.



# POLYETHYLENE FILTERS



linia ProSeries™ - performance and reliability



### Product information:

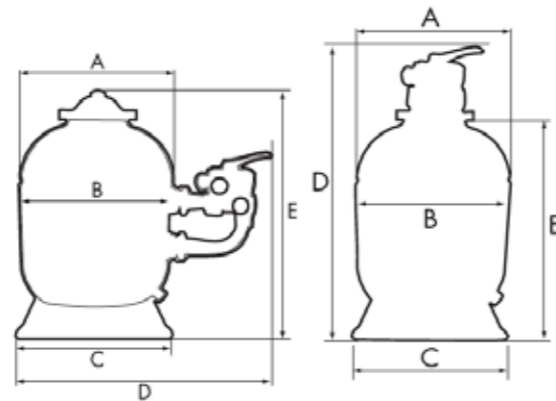
- blown polyethylene filter for excellent resistance to high pressure
- 4 models available in capacities from 6 to 22 m<sup>3</sup>/h
- weatherproof, can be installed outdoors
- high resistance to swimming pool chemicals

### Technical data:

- maximum pressure : 3.5 bara
- maximum water temperature 40° C
- recommended filter bed : 0,4 - 0,8 mm
- 5-year warranty on the tank, 2 years on equipment

### The set includes

- manual 6-way valve side or top
- drain plug



Dimension table in mm

Code	A	B	C	D	E
S166TXE	401 mm	391 mm	371 mm	858 mm	598 mm
S210TXE	511 mm	500 mm	521 mm	989 mm	729 mm
S244SXE	612 mm	594 mm	521 mm	875 mm	920 mm
S0310SXE	762 mm	725 mm	585 mm	1070 mm	1008 mm

Code	Ø external [mm]	Flow	6-way valve	Connections	Dedicated bed capacity
S166TXE	401 mm	6 m <sup>3</sup> /h	top	1 ½"	50 kg
S210TXE	511 mm	10 m <sup>3</sup> /h	top	1 ½"	100 kg
S244SXE	612 mm	14 m <sup>3</sup> /h	side	1 ½"	150 kg

# LAMINATED FILTERS



FG Series - quality you can trust

### Product information:

- filter body made of high quality glass fibre reinforced polyester for even greater pressure resistance
- 4 models available in capacities from 10 to 32 m<sup>3</sup>/h
- the design of the filter has a lower height than other private filters on the market, which allows it to be installed even in very cramped technical rooms
- fitted with a wide top cover for easy filling
- the classic black colour blends in perfectly with existing equipment
- maximum water temperature: 43° Celsjuzsa
- recommended filter bed : 0,4 - 0,8 mm
- country of origin: Spain
- 2-year manufacturer's warranty



Wide opening at the top for easy loading of sand



A trigger with a stopper that serves as a tool for dismantling



6-position valve



### The set includes:

- manual 6-way side valve
- set of connections
- drain plug
- Pressure gauge
- wide top cover for easy filling

Dimension table in mm

Code	D (internal Ø)	H (height)
NC500SE2	500	630
NC600SE2	600	690
NC780SE2	780	830
NC900SE2	900	950

Code	Ø external [mm]	Flow	Connections	Dedicated bed capacity
NC500SE2	500 mm	10 m <sup>3</sup> /h	1 ½"	85 kg
NC600SE2	600 mm	14 m <sup>3</sup> /h	1 ½"	150 kg
NC780SE2	780 mm	22 m <sup>3</sup> /h	2"	300 kg
NC900SE2	900 mm	32 m <sup>3</sup> /h	2"	450 kg

GRANADA PLUS

The professional solution for above-ground, traditional small and medium-sized private pools

Product information:

- Maximum water temperature: 50°C
- Maximum pressure: 1.6 bar
- Connections: 1 1/2"
- Recommended filter bed: 0.4 - 0.8 mm
- Guarantee: 3 years for the tank, 2 years on equipment

The set includes:

- Granada filter tank
- Ninfa or Ondina series filter pump
- Six-way valve side or top
- Flexible hose (pump and valve combination)
- Pressure gauge
- Stable base

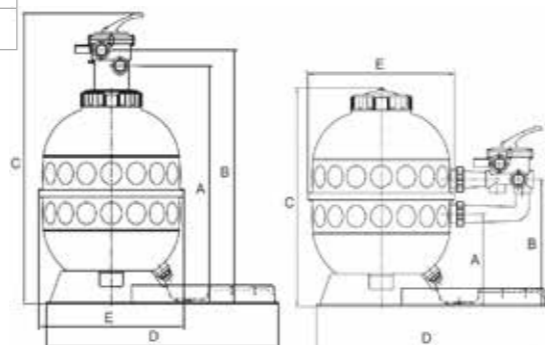


Code	Ø external [mm]	Valve 6-way	Pump type *	Maximum flow (m³/h)	Volume	Dedicated bed capacity (kg)
020650207123	500	Top	OK 71	9.5	0.349	100
020560210023	600	Side	OK 100	14	0.488	125

\*Table of pump types

Pump type	Full name	Output power P2 (KM)	Flow (m³/h)
NK 33	NINFA filter pump	0.33	6.4
OK 71	ONDINA filter pump	0.75	11.9
OK 100	ONDINA filter pump	1.00	17.2

Code	Ø external [mm]	Valve 6-way	A	B	C	D	E
020650207123	500	Top	864	924	1065	824	553
020560210023	600	Side	376	501	875	824	653



ARTIK EVO sand filter

The professional solution for private pools up to 189 m³

Product information:

- Cross-bottomed filter
- Maximum water temperature: 50°C
- Maximum pressure: 2.5 bar
- Connections: 1 1/2" (filtry 520 i 640) oraz 2" (filtry 760 i 900)
- Recommended filter bed: 0.4 - 0.8 mm
- Guarantee: 5 years for the tank, 2 years on equipment

The set includes:

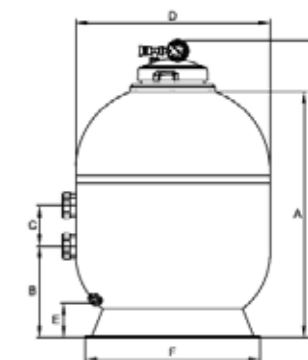
- 6-way valve side
- Glycerine-filled manometer
- Twist Lock" type revolving transparent cover: quick access without the need for tools
- Double-sided diffuser for optimum water distribution inside the filter
- Wide drain plug for easy emptying of water from the tank
- Stable base



Code	Ø external [mm]	Connections	Maximum flow (m³/h)	Filter area (m²)	Maximum volume of pool (m³)	Dedicated bed capacity (kg)
022864148522	640	1 1/2"	16.0	0.32	96	150
022876248522	760	2"	22.5	0.45	135	225

Dimension table in mm

Code	Ø external [mm]	A	A1	B	C	D	E	F
022864148522	640	800	960	315	125	640	125	458
022876248522	760	840	1000	365	140	760	100	605





**CORDOBA filter**

For private pools and smaller spa facilities Quality filtration of the highest standard with 20% more bed than standard sand filters.

**Product information:**

- Maximum water temperature: 50°C
- Maximum pressure: 2.5 bar
- Connections: 1 ½" (filtr 520 i 640) and 2" (filtr 800)
- Recommended filter bed: 0.4 - 0.8 mm
- Guarantee: 5 years for the tank, 2 years on equipment

**The set includes:**

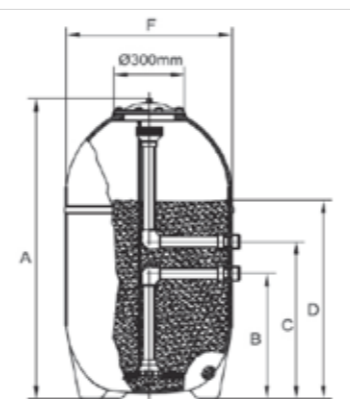
- 6-way valve side
- Glycerine-filled manometer
- Transparent cover



Code	Ø external [mm]	Connections	Maximum flow (m³/h)	Filter area (m²)	Dedicated bed capacity (kg)
025152147522	520	1 ½"	10	0.21	140
025164147522	640	1 ½"	15	0.32	250
025180247522	800	2"	25	0.50	445

Dimension table in mm

Code	Ø external [mm]	A	B	C	D	F
025152147522	520	980	400	525	580	520
025164147522	640	1070	450	575	650	640
025180247522	800	1200	500	640	790	800



**Filter BARCELONA**

For domestic and semi-commercial swimming pools

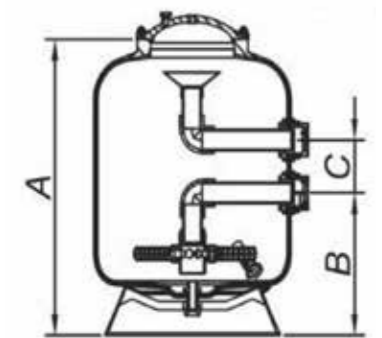
**Product information:**

- Maximum pressure: 2.5 bar
- Operating pressure: 0.5 do 2.5 bar

**The set includes:**

- 6-way valve side 2"

Guarantee: 5 years for the tank, 2 years on equipment



Code	Ø external [mm]	Connections	Maximum flow (m³/h)	Filter area (m²)	Dedicated bed capacity (kg)
026007220166	750	2"	21	0.44	275

Dimension table in mm

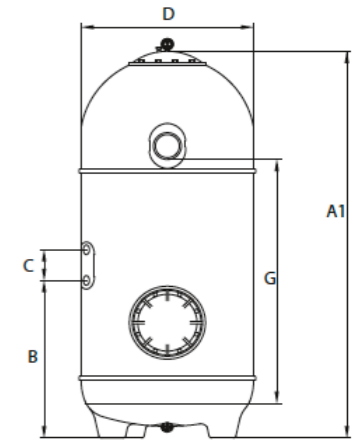
Code	A	B	C
026007220166	865	397	141

## SAN SEBASTIAN filter

For private pools and spa facilities.  
High performance

### Product information:

- Maximum water temperature: 40°C
- Maximum pressure: 2.5 bar
- Connections: 2"
- Recommended filter bed: 0.4 - 0.8 mm
- Guarantee: 5 years for the tank, 2 years on equipment
- San Sebastian filters provide highly efficient filtration
- A glycerine-filled pressure gauge is included
- It has a transparent cover and a side inspection opening
- Available versions: cross bottom or nozzle bottom
- Available versions: bed height 1 m or 1.2 m
- 6-way valve and connection set not included



Accessories for the SAN SEBASTIAN filter

Code	Description
SPO663SKR-LP	6-way valve side 2"
500200061100	Connections for 2" 6-way 2-way valve ref. RRFI0006.11R
500201201100	Screws for 2" side 6-way valve The kit includes 2 pcs., ref. RRFI0005.11R

Code	Reference	Bottom type	A1	B	C	D	G
041111060122	SSB 640	Cross	1620	755	140	640	1000
041116060122	SSP 640	Nozzle	1620	755	14	640	1000
041112060122	SBL 640	Cross	1820	755	140	640	1200
041117060122	SPL 640	Nozzle	1820	755	140	640	1200
041111070122	SSB 760	Cross	1620	755	140	760	1000
041116070122	SSP 760	Nozzle	1620	755	140	760	1000
041112070122	SBL 760	Cross	1820	755	140	760	1200
041117070122	SPL 760	Nozzle	1820	755	140	760	1200
041111090122	SSB 900	Cross	1620	755	140	900	1000
041116090122	SSP 900	Nozzle	1620	755	140	900	1000
041112090122	SBL 900	Cross	1820	755	140	900	1200
041117090122	SPL 900	Nozzle	1820	755	140	900	1200

Code	Reference	Tank Ø (mm)	Bottom type	Deposit height (m)	Maximum flow (m³/h)	Filter area(m³)	Dedicated bed capacity (kg)
041111060122	SSB 640	640	Cross	1.00	12	0.32	500
041116060122	SSP 640	640	Nozzle	1.00	12	0.32	500
041112060122	SBL 640	640	Cross	1.20	12	0.32	600
041117060122	SPL 640	640	Nozzle	1.20	12	0.32	575
041111070122	SSB 760	760	Cross	1.00	18	0.45	675
041116070122	SSP 760	760	Nozzle	1.00	18	0.45	675
041112070122	SBL 760	760	Cross	1.20	18	0.45	825
041117070122	SPL 760	760	Nozzle	1.20	18	0.45	825
041111090122	SSB 900	900	Cross	1.00	25	0.63	950
041116090122	SSP 900	900	Nozzle	1.00	25	0.63	950
041112090122	SBL 900	900	Cross	1.20	25	0.63	1150
041117090122	SPL 900	900	Nozzle	1.20	25	0.63	1150

A table of filter dimensions can be found on the following page

## OKU Trinidad filter



The OKU Trinidad sand filter system offers an optimal price/performance ratio.

### Product information:

- tank diameter ø 250 mm
- Pump included without pre-filter, SPS 25-1 2m/3.6 m³/h - 200W/230V
- for pools up to 21 m³
- with 2 x 2.5 m 32 mm hose and 6 hose clamps
- recommended quantity of bedding 10 kg

Code	Description
300800	unassembled filter, with 6-way top valve, pressure gauge, drain, 32/38 mm connections

## PREMIUM POOL FILTER BED



The Poolnario quartz bed is a premium product, produced in a very controlled process. The bed is washed and sorted with water, dried with natural gas and finally sieved - thus producing a uniform and precisely defined filter bed. Poolnario® quartz bed is manufactured in accordance with DS / EN 12904 and is a product whose geological process took 22 million years. Manufactured in Denmark.



Code	Graduation [mm]	Collective packaging
300000	0.40 - 0.80	bag - 25kg
300225	0.71 - 1.25	bag - 25kg
300525	1.40 - 2.50	bag - 25kg
300625	2.00 - 3.55	bag - 25kg
300725	3.15 - 5.60	bag - 25kg

## GLASS FILTRATION BED



AFM® stands for Activated Filter Material; it is a revolutionary filter material made of green glass that was developed by Dr Howard Dryden. AFM® can filter 30-50% more organic matter from pool water than a quartz or glass bed. AFM® also has catalytic and oxidising properties that protect it from bacterial colonisation. Thanks to AFM®, no biofilm can form in the filter bed. This means no harmful trichloramine, no chlorine smell, less chlorine consumption and virtually no pathogens such as legionella. AFM® produces hygienic air and crystal clear water.

AFM® is successfully used worldwide in more than 100,000 public and private swimming pools.



Aktywne media filtracyjne AFM® filtruje 95% wszystkich cząstek do 1 mikrona.

Code	Description
10021	AFM Glass Cell Graduation 1 (0.4-0.8mm) bag 21 kg
10022	AFM Glass Cell Graduation 2 (0.7-2.0mm) bag 21 kg
10023	AFM Glass Cell Graduation 3 (2.0-4.0mm) bag 21 kg
10000	AFM Glass Cell Graduation 0 (0.25-0.5mm) bag 25 kg
10005	AFM Glass Cell Graduation 1 (0.4-0.8mm) bag 25 kg
10006	AFM Glass Cell Graduation 2 (0.7-2.0mm) bag 25 kg
10007	AFM Glass Cell Graduation DIN (0.7-1.2mm) bag 25 kg
10003	AFM Glass Cell Graduation 3 (2.0-4.0mm) bag 25 kg

## ACTIVATED CARBON



Aqua Sorb based on coconut shells (for use with AFM)

Code	Graduation [mm]	Collective packaging
390 115 01	0.6 - 2.36	bag - 25kg

## FILTER-CONTROL controllers

Filter operation control



**Digital controller with timer for 230 V or 400 V filter pumps (max. 5 A).**  
Possible connections: overflow tank control, automatic non-return valves and metering equipment. Protection class IP 65.

Code	Description
49220	Filtercontrol 230V analogue controller
49221	Filtercontrol 400V analogue controller
49220D	Filtercontrol 230V digital controller
49221D	Filtercontrol 400V digital controller

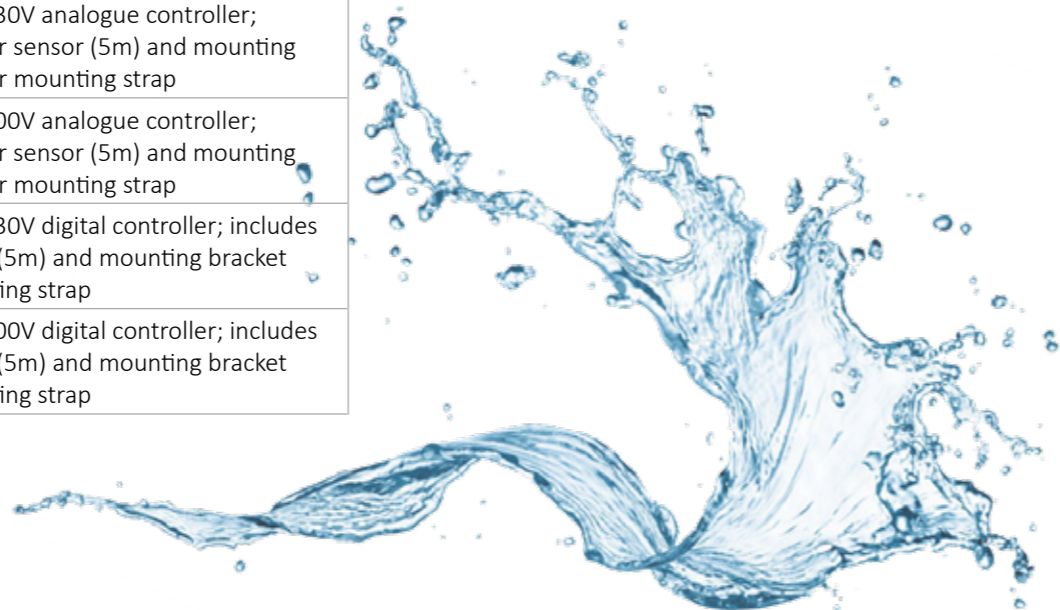
## Sterowniki POOL-CONTROL

Filter operation control and heat exchanger



**Analogue controller for heating, solar and filter pumps 230/ 400 V.** Possible connections: control of overflow tank, automatic non-return valves and metering devices. Degree of protection IP 65. Water sensor (5m) and sensor mounting band included.

Code	Description
49224S	Poolcontrol 230V analogue controller; includes water sensor (5m) and mounting bracket sensor mounting strap
49225S	Poolcontrol 400V analogue controller; includes water sensor (5m) and mounting bracket sensor mounting strap
49224SD	Poolcontrol 230V digital controller; includes water sensor (5m) and mounting bracket sensor mounting strap
49225SD	Poolcontrol 400V digital controller; includes water sensor (5m) and mounting bracket sensor mounting strap



## POOL-CONSULTING controllers

Filter operation control, heat exchanger and solar collectors

**Digital controller for heating, solar and filter pumps 230/ 400 V.** Possible connections: control of overflow tank, automatic non-return valves and metering devices. Degree of protection IP 65. Water sensor (5m) and sensor mounting band included.



Code	Description
49228	Poolconsulting 230 V with water sensor
49229	Poolconsulting 400 V with water sensor

## POOL-CONSULTING controllers PREMIUM

Filter operation control, heat exchanger and solar collectors

**Digital controller for heating, solar and filter pumps 230/400 V.** Possible connections: control of overflow tank, automatic non-return valves and metering devices. Protection class IP 65. has 3 programmes for variable speed pumps. Water sensor (5m) and sensor mounting band included.



Code	Description
49321S	Poolconsulting Premium Controller; includes water sensor, sensor mounting brace and frost protection

## Temperature controller

**Temperature controller for direct control of a 230V heating pump or zone valve.**  
Water sensor (5m) with mounting clip included.



Code
49227E

## Solar collector controller SC3

**It has a differential temperature controller to operate the system collectors. Can be used to control a 24V valve or a solar pump 230V.**  
Water sensor (5m) with mounting clamp, sun sensor (10m) included.



Code
49226E

Solar collector controller SC COMPACT

It has a differential temperature controller to operate the collector system, integrated with a two-way motorised ball valve. Includes water sensor (5m) with mounting clip, sun sensor (10m) and power cable (3m).



Code	Description
49233	SC COMPACT

Motorised valves

Motorised 2-way ball valve, for connection to a temperature control system.



Code	Description
49230	Zawór 24 V
49235	Zawór 230 V
48331	Zawór kulowy DN40/d50
48332	Zawór kulowy DN50/d63

Skimmer water level controller

Automatyczny regulator poziomu wody umożliwiający niezależne uzupełnianie wody.



Code	Description
49239	Skimmer water level controller (without accessories)
49238	Resistance sensors 2 pcs. (including 1 for individual adjustment).
812511	Sensor cable

Overflow tank regulator

A level regulator in the overflow tanks prevents drying out and overflow. Connectors included.

**WARNING!** Requires 5 electrodes!



Code	Description
49230E	Overflow tank regulator
81251	Electrode
81255	Holder for five electrodes



SP0719SKR-LP



SP0719SE



SP0663SKR-LP

Valves for sand filters

Code	Connection	Type	Suitable for Hayward filters
SP0719SE	1 1/2"	Side	ProSeries: S244SXE
SP0715X62E	2"	Side	ProSeries: S0310SXE
SP0714TE	1 1/2"	Top	ProSeries: S166TXE i S210TXE
NCX07020	1 1/2"	Side	Laminated: NC500SE2 i NC600SE2
NCX07021	2"	Side	Laminated: NC780SE2
NCX07022	2"	Side	Laminated: NC900SE2



Code	Valve type	Destination
250112011200	6-way side valve, 1 1/2" black	Dedicated to Granada filter models: GL400, GL500, GL600, Artik Evo- models: AK Evo 520, AK Evo 640, Balear- models: BL400, BR400, BL450, BR450, BL520, BR520, BL640, BR640, Cordoba- models: BC520, BC640.
250112510000	Top-mounted 6-way valve, 1 1/2" white	Dedicated for filters Artik- models: AKT520, AKT640
250120011200	6-way side valve, 2" black	Dedicated for filters Artik- models: AK680, AK760, AK900, Balear- models: BL680, BR680, BL760, BR760, BL900, BR900, Cordoba- model: BC800, San Sebastian- all models.

# BACKWASH VALVES, 6-WAY MANUAL

Praher® backwash valves are used in a wide range of climatic and technical conditions all over the world. More than 45 years of experience in development and production in Austria guarantees maximum precision and intelligent solutions. Praher® valves have optimum flow rates and pressure losses.



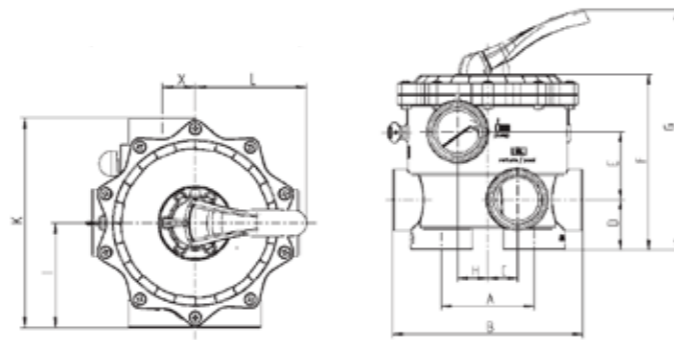
## 6-way side valves, 1 1/2" ABS

Made of ABS (3.5 bar) in various colours and connections, 7 positions (includes winter position). Optional connection kit for various filter brands. Max. temperature +40°C.



Code	Kg	OZ	Typ	Colour	Description
<b>Without connection set</b>					
130751	2.45	1	SM10 3	White	Threaded outlet 1 1/2"
130821	1.38	25	SM10 3	Black	Threaded outlet 1 1/2"
130753	2.26	1	SM10 AO	White	Threaded outlet 1 1/2"
131350	1.34	1	SM10 3	White	Connection bonding d50
130762	2.43	1	SM10 3	White	Threaded outlet 1 1/2", top + bottom = bonding d50
130820	2.43	1	SM10 3	Black	Threaded outlet 1 1/2", top + bottom = bonding d50
130862	1.45	1	SM10 3	White	Connection bonding d50, positions: RETURN + WASTE = 1 1/2" thread
130797	1.36	1	SM10 3	Black	Connection bonding d50, positions: RETURN + WASTE = 1 1/2" thread
<b>Screw 1 1/2"</b>					
170396	0.13	75	-	Grey	KW 50 - GZ 1 1/2"
170380	0.13	75	-	White	KW 50 - GZ 1 1/2"
170355	0.19	75	-	Black	KW 50 - GZ 1 1/2"
<b>Linear inspection valve</b>					
7300321	0.39	1	-	-	DN 40 / d50

## 6-way side valves



## 6-way side valve, 1 1/2" ASA GF

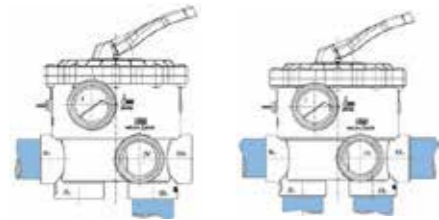
Made of ASA GF\* (6 bar), 7 positions - includes winter position. Max. temp. +50°C.



Code	Kg	OZ	Typ	Colour	Description
<b>Without connection set</b>					
130860	2.40	1	SM11 AO	White	Threaded outlet 1 1/2"

\*ASA GF - High-quality plastic, UV and impact-resistant

Types of connec-



Type 3:  
SM10 3 (1 1/2")  
SM20 3 (2")  
SM30 3 (3")

Type AO (All Open)  
Includes plugs  
SM10 AO (1 1/2")  
SM20 AO (2")  
SM30 AO (3")

	Valve sizes 1 1/2", 2", 3"					
	1 1/2"		2"		3"	
	ABS	ASA-GF	ABS	ASA-GF	ABS	ASA-GF
PN	3,5 bar	6 bar	3,5 bar	6 bar	3,5 bar	5 bar
A	99		110		170	
B	180		227		329	
C	31.5		36		50	
D	48.5		60		85.5	
E	60		81		110	
F	165		210		304	
G	245		292			
H	41.5		36		50	
I	87.5		115		165	
K	175		230		330	
L	135.5		135.5		206	
M	-		-		-	
X	30		36		50	

## Connection set for filters: ASTRAL, ESPA, CERTIKIN, IML, PROCOPI d50 1 1/2"



Code	Kg	Collective packaging	Description
170151	0.57	25	Set with screw, PVC, White
170353	0.57	50	Set with flange, ABS, Black

## Connection set for HAYWARD d50 1 1/2" filters



Code	Kg	Collective packaging	Description
170158	0.66	50	Set with screw, PVC, White
170261	0.53	50	Set with screw, PVC, Black

### 6-way side valves, 2" ABS

Made of ABS (3.5 bar) in various colours and connections, 7 positions (includes winter position). Optional connection set for various filter brands. Max. temp. +40°C.



Code	Kg	OZ	Typ	Colour	Description
Without connection set					
131029	3.37	1	SM20 3	White	Threaded outlet 2"
131131	2.41	1	SM20 3	Black	Threaded outlet 2"
131040	3.45	1	SM20 AO	White	Threaded outlet 2"
131150	3.36	1	SM20 3	White	Threaded outlet 2", top + bottom = klejenie d63
Screw 2"					
170402	0.23	40	-	Grey	2"
170386	0.23	40	-	White	2"
Linear inspection valve					
7300322	0.97	1	-	-	DN 50 / d63

### 6-way side valve, 2" ASA GF

Made of ASA GF\* (6 bar), 7 positions - includes winter position. Max. temp. +50°C.



Code	Kg	OZ	Typ	Colour	Description
Without connection set					
11326	2.77	1	SM21 AO	White	Threaded outlet 2"

\*ASA GF - High-quality plastic, UV and impact-resistant

### Connection set for filters: ASTRAL, ESPA, CERTIKIN, IML, d63 2"



Code	Kg	Collective packaging	Description
170856	0.60	40	Set with screw, PVC, White
170855	0.53	40	Set with screw, ABS, Black

### Connection set for filters HAYWARD d63 2"



Code	Kg	Collective packaging	Description
170208	0.36	50	Set with screw, ABS, Black

### 6-way side valve, 2½" ABS, 3.5 bar

- Easy to operate and exceptionally quiet
- Durable sealing material and compression springs
- Leak tests and operations in accordance with DIN 3230.
- Easy installation on the actuator of the AQUASTAR automatic non-return valve
- Additional winter position "WINTER POSITION" for unlocking the sealing system



Code	Kg	OZ	Colour	Description
Without connection set				
77464	6.66	1	Black	top + bottom = bonded connection d75, positions: PUMP + RETURN + WASTE = bonded screw connection d75

### 6-way side valves, 3" ABS

Made of ABS (3,5 bar) in various colours and connections, 7 positions (includes winter position).



Code	Kg	OZ	Typ	Colour	Description
Without connection set					
130192	6.49	1	SM30 3	White	Threaded outlet 3"
130000	7.64	1	SM30 AO	White	Threaded outlet 3"
130074	6.80	1	SM30 AO	White	Connection bonding d50
Screw 3"					
170085	1.11	10	-	Grey	KW 90- GZ 3"
170185	1.76	5	-	Grey	KW 90- GZ 3"
Linear inspection valve					
123256	4.01	1	-	-	klejenie d90

### 6-way side valves, 3" ASA GF

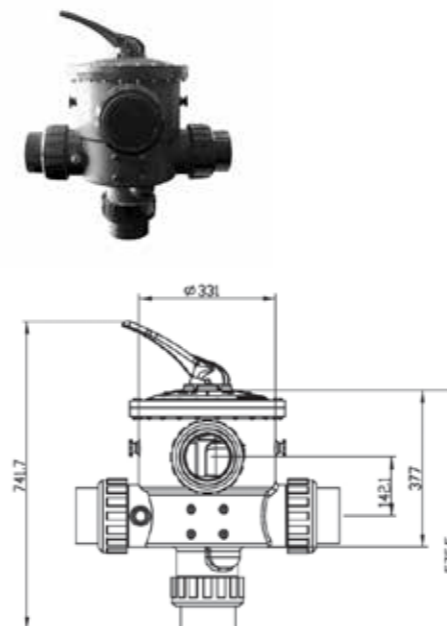
Made of ASA GF\* (5 bar), 7 positions - includes winter position. Max. temp. +50°C.



Code	Kg	OZ	Typ	Colour	Description
Without connection set					
130142	7.64	1	SM31 AO	White	Threaded outlet 3", EPDM, EPDM
130201	7.72	1	SM31 AO	White	Threaded outlet 3", FPM, EPDM
Screw 3"					
170085	1.11	10	-	Grey	bonding 90- GZ 3"
170185	1.76	5	-	Grey	bonding 90- GZ 3"
Linear inspection valve					
123256	4.01	1	-	-	DN 50 / d63

\*ASA GF - High-quality plastic, UV and impact-resistant

### 6-way side valve, 4", 3.5 bar



- Easy to operate and exceptionally quiet
- Durable sealing material and compression springs
- Leakage tests and operations in accordance with DIN 3230
- Easy installation on the actuator of the AQUASTAR automatic non-return valve
- Additional winter position "WINTER POSITION" to unlock the sealing system

Code	Kg	OZ	Colour	Description
78080	20.70	1	Black	110 - 4"

6-way top valves



Dimensions 1 1/2", 2"		
	1 1/2"	2"
	ABS	ABS
PN	3,5 bar	3,5 bar
A	130	125
B	check the type of flange	
C	31.5	36
D	38	43
E	59.5	81
F	235.5	280
G	245	292
H	41.5	36
I	90	114.5
K	180	229
L	135.5	135.5
M	46	57
X	30	36

6-way top valves, 1 1/2" ABS

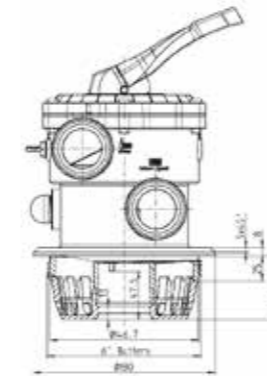
Made of ABS (3,5 bar) in various colours and connections, 7 positions (includes winter position). Max. temp. +40°C.



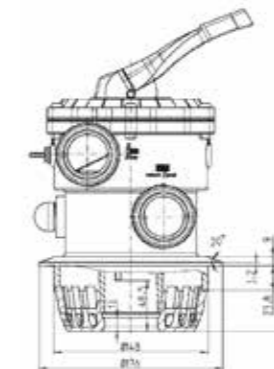
Code	Kg	OZ	Typ	Colour	Description
Valves without connection set					
130826	1.76	1	B-Flange	White	Threaded outlet 1 1/2"
130810	1.63	18	S-Flange	Black	Threaded outlet 1 1/2"
130051A	2.11	1	E-Flange	White	Threaded outlet 1 1/2"
130960	1.69	1	AS-Flange	Black	Threaded outlet 1 1/2"
130710	2.40	1	T-Flange	White	Threaded outlet 1 1/2"
Clamps					
170362	0.15	100	S-Flange	Black	Includes screws and nuts
50194	0.30	50	T-Flange	Black	Includes screws, nuts and O-ring
870035	0.19	100	SF-Flange	Black	Includes screws and nuts
Screw 1 1/2"					
170396	0.13	75	-	Grey	KW 50 - GZ 1 1/2"
170380	0.13	75	-	White	KW 50 - GZ 1 1/2"
170355	0.19	75	-	Black	KW 50 - GZ 1 1/2"
Linear inspection valve					
7300321	0.39	1	-	-	DN 40 / d50



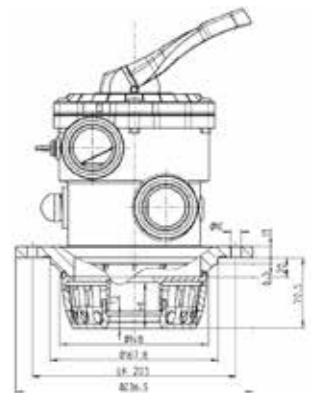
B - Flange



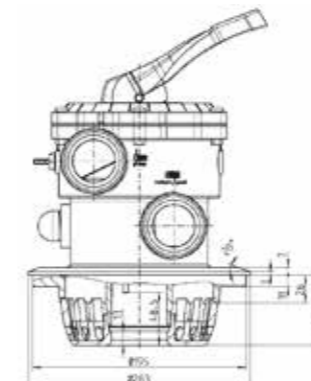
S - Flange



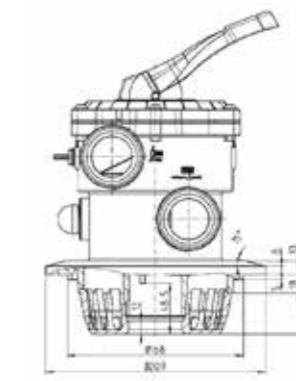
E - Flange



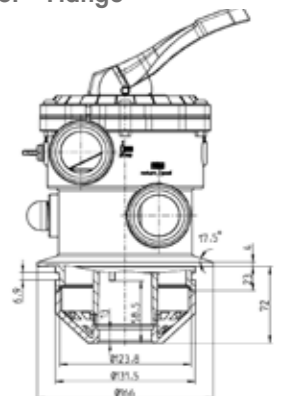
AS - Flange



T - Flange



SF - Flange



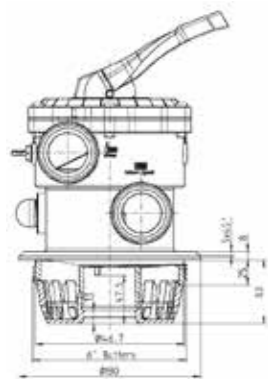
**6-way top valves, 2" ABS**

Made of ABS (3,5 bar) in various colours and connections, 7 positions (includes winter position). Max. temp. +40°C.

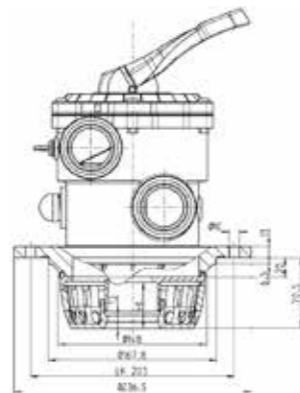


Code	Kg	OZ	Typ	Colour	Description
<b>Valves without connection set</b>					
130489	4.04	7	B-Flange	Black	Threaded outlet 2"
130965	4.02	1	E-Flange	White	Threaded outlet 2"
130343	3.15	1	H-Flange	White	Threaded outlet 2"
130648	3.03	8	L-Flange	White	Threaded outlet 2"
72211	0.30	1	AS-Flange	Black	Threaded outlet 2"
<b>Clamping bracket</b>					
50194	0.30	50	T-Flange	Black	Includes screws, nuts and O-ring
<b>Screw 2"</b>					
170402	0.23	40	-	Grey	Bonding 63- GZ 2"
170386	0.23	40	-	White	Bonding 63- GZ 2"
<b>Linear inspection valve</b>					
7300322	0.97	1	-	-	DN 50 / d63

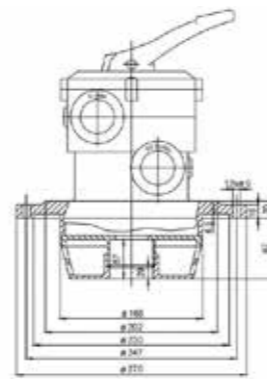
**B - Flange**



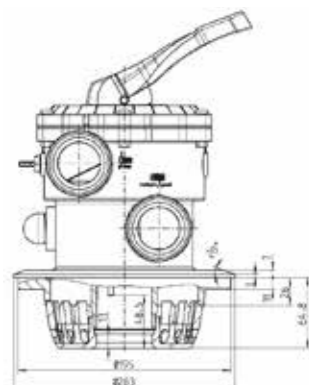
**E - Flange**



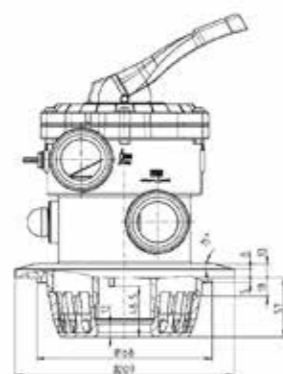
**L - Flange**



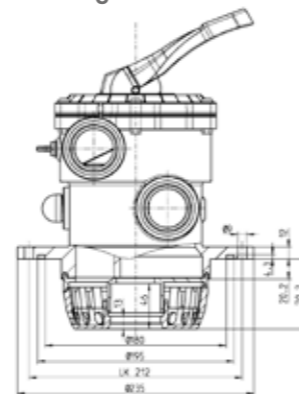
**AS - Flange**



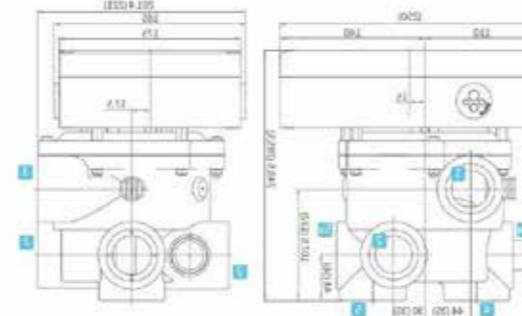
**T - Flange**



**H - Flange**



**BADU OMNITRONIC**



The BADU Omnitronic automatic backwash valve is a reliable alternative to manual units.

A digital timer automatically starts the backwash procedure according to the settings of the periodically or time-controlled programme. All functions and parameters can be set individually. Backwash and rinse cycles can be started automatically, manually or externally. It can be used as a temperature and water level controller.

**Product information:**

- Board: microprocessor-controlled
- Operating voltage: 1~ 230V 50Hz
- Power consumption (engine power P1) - max. 1.00 kW
- Fuse, for actuator/pump only - 315 mA delayed / 4 A delayed.
- Max. permissible load current - 250 V / 4 A
- Operating pressure - max. 2 bar

Code	Description	Connection	Voltage
260.6000.041	BADU OmniTronic R41/3A	1 1/2"	1~230 V
260.6000.051	BADU OmniTronic R51/3A	2"	1~230 V



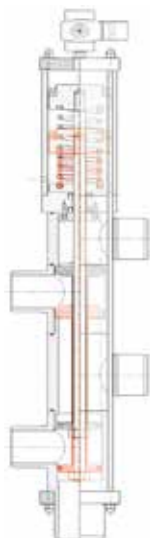
The exact way to rinse

BESGO pillar valve - controlled by water or air pressure. Made of PVC-U. DN 40 - 125 mm with nipple glued on the outside. Internal parts made of V4A 1. 4571, ozone resistant Viton/PTFE sealing with solenoid valve with manual operation:

- Maximum occupational safety
- Low pressure drop
- Adjustable connecting tube
- Control without shutting down
- Fits any filter.

**Attention:**

Besgo valves should be installed with detachable fittings or flanges. This greatly facilitates subsequent replacement or repair. If the valves are supplied with water, it is necessary to install a fine-mesh filter to prevent contamination of the solenoid valve.



**DN 40/ d 50 mm/ 1 1/2"**

Pillar valve with 3/2 230 V solenoid valve - assembled. Pressure loss: à 20m3/h => pressure drop 0.3 bar

Code	Axle dimensions
083103	125 mm (Astral, Behencke, Fiberplast)
083105	140 mm (Kripsol)
083104	145 mm (Polinsa)
083107	152 mm (Hayward)
083102	190 mm (Calplas, Triton)
083108	204 mm (Lacron)
083106	230 mm (Astral)

**DN 50/ d 63 mm/ 2"**

Pillar valve with 3/2 230 V solenoid valve - assembled. Pressure loss: à 30m3/h => pressure drop 0.3 bar

Code	Axle dimensions
083201	140 mm (Kripsol, Behencke)
083206	152 mm (Hayward)
083202	190 mm (Calplast, Triton, Platinum, Fiberplast)
083207	215 mm (Lacron)
083208	220 mm (Fiberplast)
083203	230 mm (Astral)

**DN 65/ d 75 mm/ 2.5"**

Pillar valve with 3/2 230 V solenoid valve - assembled. Pressure loss: à 45m3/h => pressure drop 0.3 bar

Code	Axle dimensions
083301	250 mm (Calplast, Fiberplast)
083302	270 mm (Astral)



**DN 80/ d 90 mm/ 3"**

Pillar valve with 3/2 230 V solenoid valve - assembled. Pressure loss: à 65 m3/h=> pressure drop 0.3 bar

Code	Axle dimensions
083401	300 mm

**DN 100/ d 110 mm/ 4"**

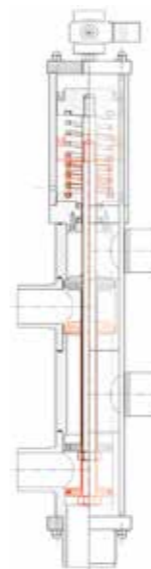
Pillar valve with 3/2 230 V solenoid valve - assembled. Pressure loss: à 95 m3 /h=> pressure drop 0.3 bar

Code	Axle dimensions
083501	360 mm
083502	400 mm (Astral)

**DN 125/ d 140 mm/ 5"**

Pillar valve with 3/2 230 V solenoid valve - assembled. Pressure loss: à 140 m3/ h=> pressure drop 0.3 bar

Code	Axle dimensions
083601	450 mm for water and air pressure

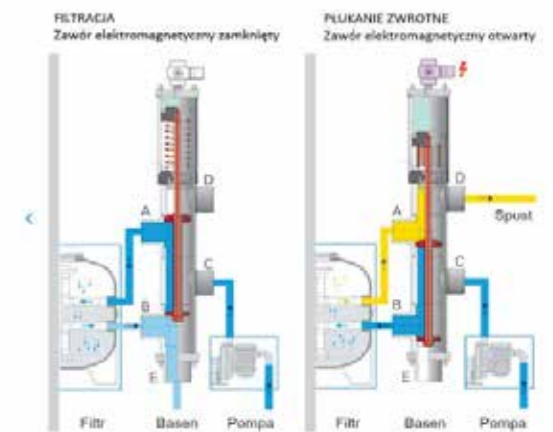


BESGO installation unit for regulating water pressure. It consists of a 0-10 bar manometer, a pillar valve, a fine filter, a tap

Code	Description
083710	Installation unit

**Functionality of the BESGO Valve**

For sand filters from Ø 400 mm to Ø 2000 mm. Thanks to high backwash speeds and low pressure losses, the BESGO valve provides particularly good rinsing results. In addition, the circulation pump does not have to be switched off when switching the valve. In the event of a power failure, the BESGO valve automatically sets itself to <Filtrieren> (Filtration) so that unintentional emptying of the pool is not possible. The BESGO valve can be connected to any filter available on the market. In addition, the connection elements are adjustable for existing pipelines. It is available in sizes from DN40 to DN125.



**AQUA MINI** - for small domestic swimming pools



Its special feature is the absence of a prefilter and its easy handling.

Code	Description	Voltage	Output power P2	Pool size
219.1070.038	Aqua Mini 6	1~230 V	0.20 kW	30m <sup>3</sup>

**AQUA PLUS** - for private swimming pools



It has a large prefilter with a capacity of approximately 1/2 litre.

Code	Description	Voltage	Output power P2	Pool size
207.2040.038	Aqua Plus 4	1~230 V	0.18 kW	20 m <sup>3</sup>
207.2060.038	Aqua Plus 6	1~230 V	0.25 kW	30 m <sup>3</sup>
207.2080.038	Aqua Plus 8	1~230 V	0.40 kW	40 m <sup>3</sup>
207.2110.038	Aqua Plus 11	1~230 V	0.45 kW	50 m <sup>3</sup>

**AQUA MAXI**



The Aqua Maxi range of pumps has been designed for higher flow rates, for more spacious pools.

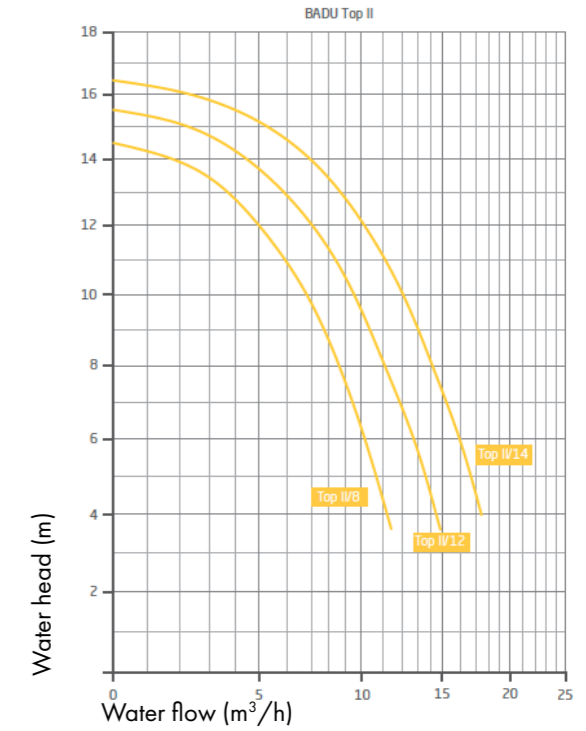
Code	Description	Voltage	Output power P2	Pool size
207.1160.038	Aqua Maxi 16	1~230 V	0.65 kW	80 m <sup>3</sup>
207.1220.038	Aqua Maxi 22	1~230 V	0.80 kW	110 m <sup>3</sup>

**BADU Top II** - for medium-sized swimming pools

It is characterised by high efficiency and flexibility. The pump is ready for connection with a 3.5 m cable. Pump available in BADU AK version (purpose: saltwater/sea/thermal water/ionisation system installations).



Code	Description	Voltage	Output power P2
219.0088.138	BADU Top II/ 8	1~230 V	0.30 kW
219.0128.138	BADU Top II/ 12	1~230 V	0.45 kW
219.0148.138	BADU Top II/ 14	1~230 V	0.65 kW

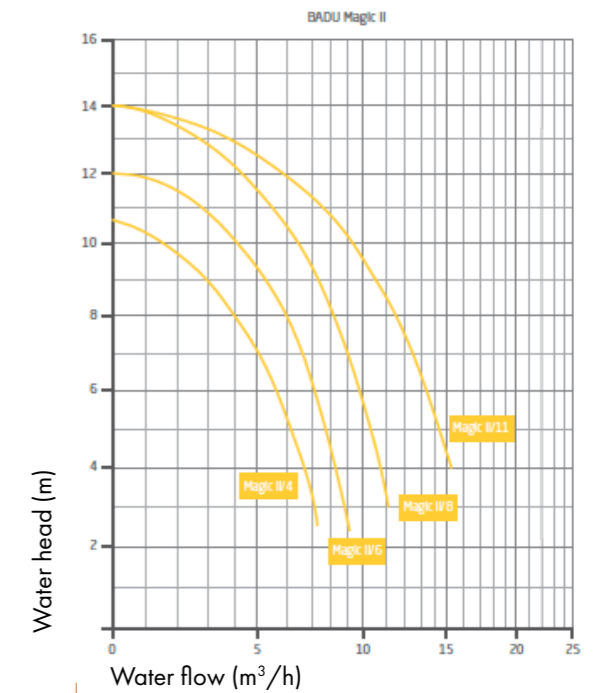


**BADU Magic II**

The Magic II pump range is an economical and reliable solution tested for small and medium-sized filtration systems. The pump is ready for connection with a 3.5 m hose. The pump is available in the BADU AK version (intended for use in saltwater/sea water/thermal/ionisation systems).



Code	Description	Voltage	Output power P2
219.1048.038	BADU Magic II/ 4	1~230 V	0.18 kW
219.1068.038	BADU Magic II/ 6	1~230 V	0.25 kW
219.1088.038	BADU Magic II/ 8	1~230 V	0.40 kW
219.1118.038	BADU Magic II/ 11	1~230 V	0.45 kW

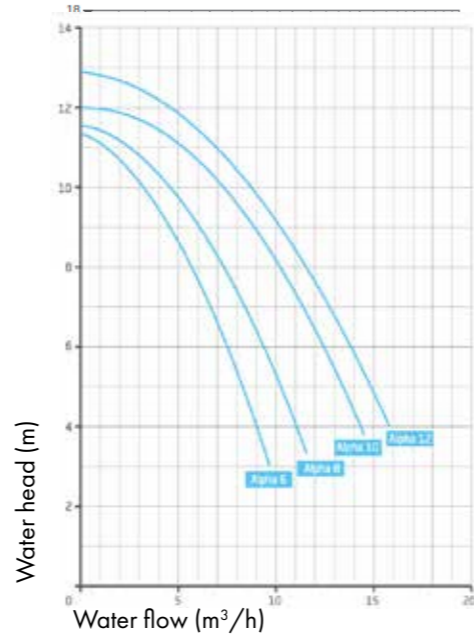


### BADU Alpha

The new standard for small pools. Alpha pumps have optimised water flow and increased efficiency. They are characterised by quiet operation.

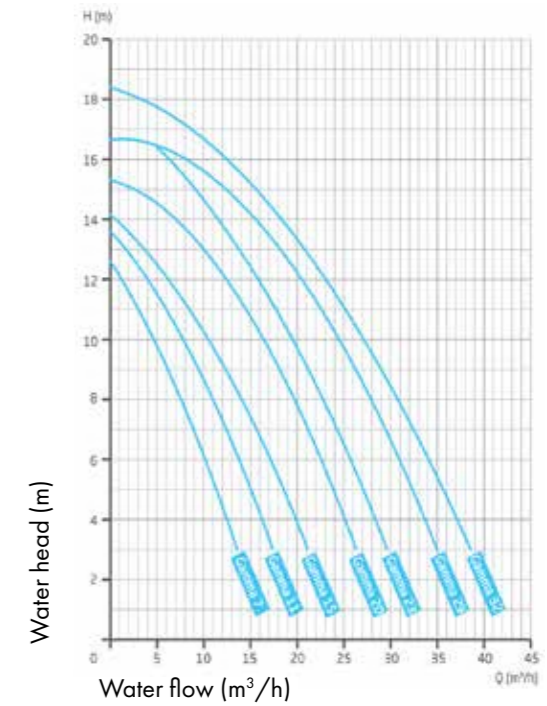


Code	Description	Voltage	Output power P <sub>2</sub>
210.4060.038	BADU Alpha 6	1~230 V	0.18kW
210.4080.038	BADU Alpha 8	1~230 V	0.25kW
210.4100.038	BADU Alpha 10	1~230 V	0.40kW
210.4120.038	BADU Alpha 12	1~230 V	0.45kW



### BADU Gamma

Efficient, modern and thoughtfully designed BADU Prime pump series with improved hydraulics and performance. Optional 2" internal and external threads (PVC-U couplings for connection). Quiet operation.

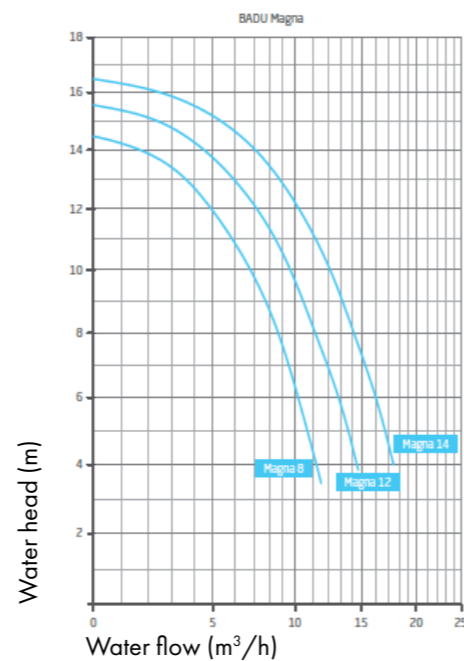


### BADU Magna

The BADU Magna pump line is a proven high-performance classic for medium-sized swimming pools. The pump is available in the BADU AK version (purpose: saltwater/sea/thermal water/ionisation system installations).



Code	Description	Voltage	Output power P <sub>2</sub>
219.0088.038	BADU Magna 8	1~230 V	0.30 kW
219.0128.038	BADU Magna 12	1~230 V	0.45 kW
219.0148.038	BADU Magna 14	1~230 V	0.65 kW

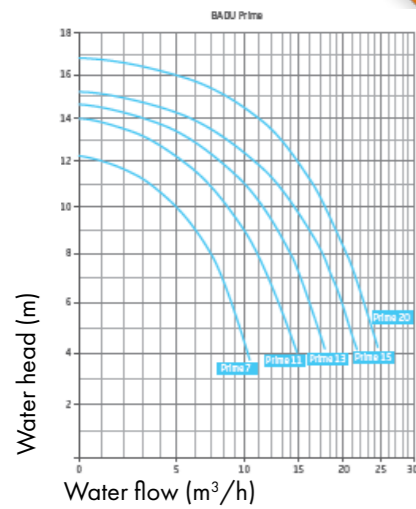


Code	Description	Voltage	Power output P <sub>2</sub>
210.5070.038	BADU Gamma 7	1~230 V	0.30 kW
210.5110.038	BADU Gamma 11	1~230 V	0.45kW
210.5150.038	BADU Gamma 15	1~230 V	0.55kW
210.5200.038	BADU Gamma 20	1~230 V	0.75kW
210.5230.038	BADU Gamma 23	1~230 V	1.00kW
210.5290.038	BADU Gamma 29	1~230 V	1.30kW
210.5320.038	BADU Gamma 32	1~230 V	1.50kW
210.5070.037	BADU Gamma 7	3~400/230 V	0.30 kW
210.5110.037	BADU Gamma 11	3~400/230 V	0.45kW
210.5150.037	BADU Gamma 15	3~400/230 V	0.55kW
210.5200.037	BADU Gamma 20	3~400/230 V	0.75kW
210.5230.037	BADU Gamma 23	3~400/230 V	1.00kW
210.5290.037	BADU Gamma 29	3~400/230 V	1.30kW
210.5320.037	BADU Gamma 32	3~400/230 V	1.50kW

**BADU Prime**



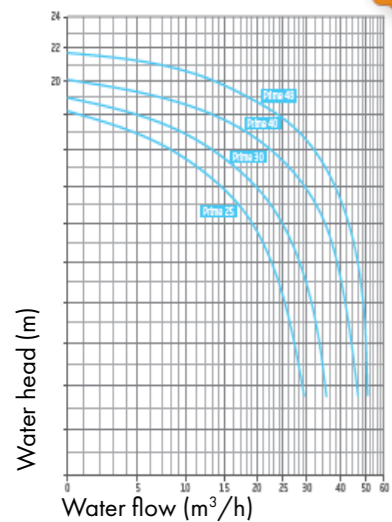
The Prime line of pumps belongs to the premium class. It was designed for larger filtration systems. Quiet and reliable - these are the qualities that best define it. The pump is available in the BADU AK version (purpose: saltwater/sea/thermal/ionisation system installations).



Code	Description	Voltage	Output power P2
219.0078.038	BADU Prime 7	1~230 V	0.30 kW
219.0118.038	BADU Prime 11	1~230 V	0.45 kW
219.0138.038	BADU Prime 13	1~230 V	0.55 kW
219.0158.038	BADU Prime 15	1~230 V	0.75 kW
219.0208.038	BADU Prime 20	1~230 V	1.00 kW
219.0078.037	BADU Prime 7	3~400/230 V	0.30 kW
219.0118.037	BADU Prime 11	3~400/230 V	0.45 kW
219.0138.037	BADU Prime 13	3~400/230 V	0.55 kW
219.0158.037	BADU Prime 15	3~400/230 V	0.75 kW
219.0208.037	BADU Prime 20	3~400/230 V	1.00 kW



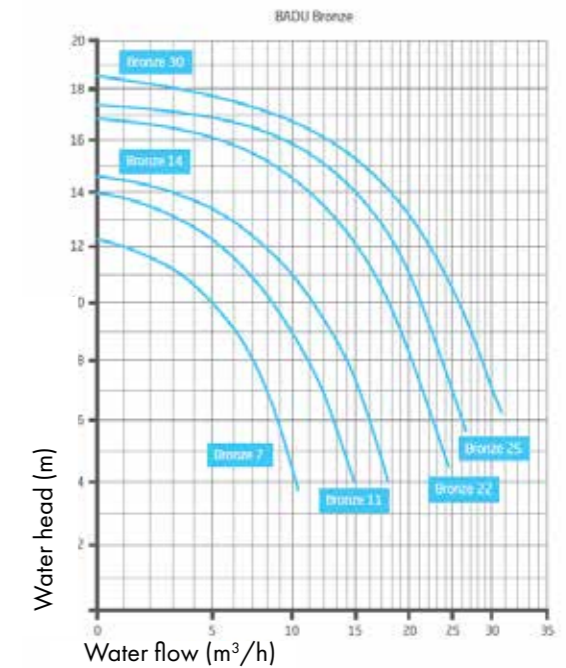
As an extension of the BADU Prime line, these pumps offer great potential for large private pools. They can overcome differences in water elevation of up to 22 m. This allows the pump to be integrated into a pool solar panel system without the need for a separate pump.



Code	Description	Voltage	Output power P2
219.0258.038	BADU Prime 25	1~230 V	1.30 kW
219.0308.038	BADU Prime 30	1~230 V	1.50 kW
219.0408.038	BADU Prime 40	1~230 V	2.20 kW
219.0448.038	BADU Prime 48	1~230 V	2.60 kW
219.0258.037	BADU Prime 25	3~400/230 V	1.30 kW
219.0308.037	BADU Prime 30	3~400/230 V	1.50 kW
219.0408.037	BADU Prime 40	3~400/230 V	2.20 kW
219.0488.037	BADU Prime 48	3~400/230 V	2.60 kW

**BADU Bronze**

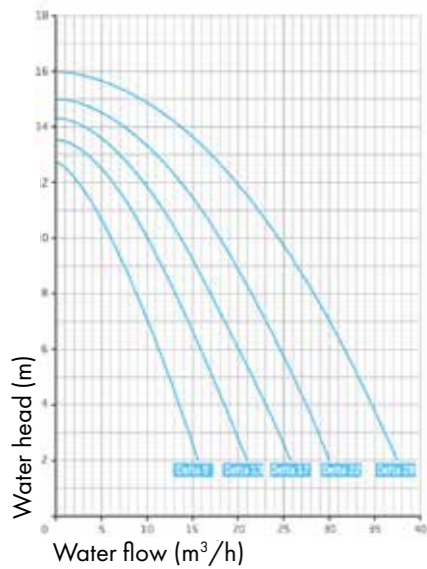
The Bronze line of pumps is manufactured exclusively from high-quality bronze - without zinc or lead additives. The series is designed for large swimming pools and is characterised by high corrosion resistance and low noise levels. The pump is available in the BADU AK version (intended for saltwater/sea/thermal water/ionisation system installations).



Code	Description	Voltage	Output power P2
210.1007.038	BADU Bronze 7	1~230 V	0.30 kW
210.1011.038	BADU Bronze 11	1~230 V	0.45 kW
210.1014.038	BADU Bronze 14	1~230 V	0.55 kW
210.1022.038	BADU Bronze 22	1~230 V	1.00 kW
210.1025.038	BADU Bronze 25	1~230 V	1.30 kW
210.1030.038	BADU Bronze 30	1~230 V	1.50 kW
210.1007.037	BADU Bronze 7	3~400/230 V	0.30 kW
210.1011.037	BADU Bronze 11	3~400/230 V	0.45 kW
210.1014.037	BADU Bronze 14	3~400/230 V	0.55 kW
210.1022.037	BADU Bronze 22	3~400/230 V	1.00 kW
210.1025.037	BADU Bronze 25	3~400/230 V	1.30 kW
210.1030.037	BADU Bronze 30	3~400/230 V	1.50 kW

**BADU Delta**

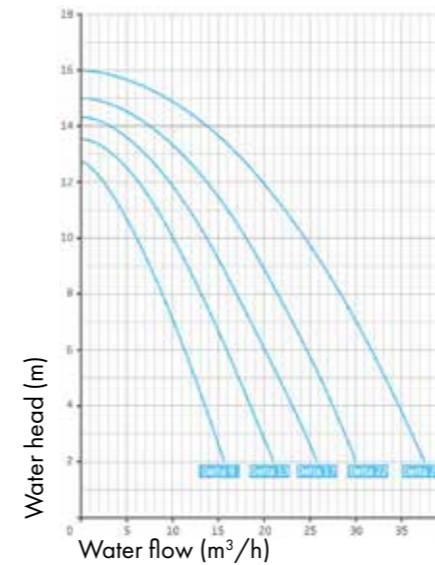
A new standard of high-end pumps for ambitious projects. Higher flow rate is achieved with low energy consumption. Delta line pumps have an LED-lit cover and feature quiet operation. Fitted with PVC-U fittings for bonding.



Code	Description	Voltage	Power output P <sub>2</sub>
210.3070.038	BADU Delta 9	1~230 V	0.30kW
210.3120.038	BADU Delta 13	1~230 V	0.45kW
210.3170.038	BADU Delta 17	1~230 V	0.55kW
210.3220.038	BADU Delta 22	1~230 V	0.75kW
210.3280.038	BADU Delta 28	1~230 V	1.00kW
210.3070.037	BADU Delta 9	3~400/230 V	0.30kW
210.3120.037	BADU Delta 13	3~400/230 V	0.45kW
210.3170.037	BADU Delta 17	3~400/230 V	0.55kW
210.3220.037	BADU Delta 22	3~400/230 V	0.75kW
210.3280.037	BADU Delta 28	3~400/230 V	1.00kW

**BADU Delta-MK**

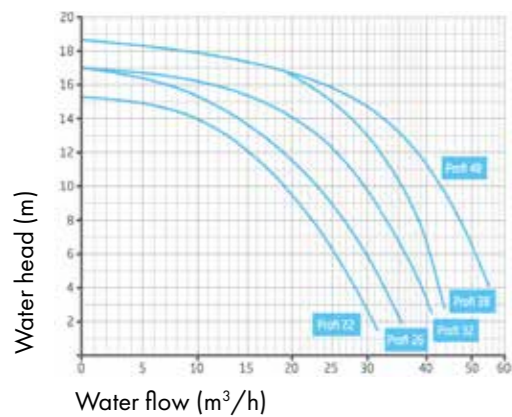
Pompy MK są pompami bezuszczelkowymi, wyposażonymi w sprzęgło magnetyczne, dzięki któremu moc silnika zostaje przenoszona na wirnik.



Code	Description	Voltage	Power output P <sub>2</sub>
210.3080.338	BADU Delta-MK 8	1~230 V	0.30kW
210.3120.338	BADU Delta-MK 12	1~230 V	0.45kW
210.3160.338	BADU Delta-MK 16	1~230 V	0.65kW
210.3200.338	BADU Delta-MK 20	1~230 V	0.75kW
210.3270.338	BADU Delta-MK 27	1~230 V	1.00kW
210.3080.337	BADU Delta-MK 8	3~400/230 V	0.30kW
210.3120.337	BADU Delta-MK 12	3~400/230 V	0.45kW
210.3160.337	BADU Delta-MK 16	3~400/230 V	0.65kW
210.3200.337	BADU Delta-MK 20	3~400/230 V	0.75kW
210.3270.337	BADU Delta-MK 27	3~400/230 V	1.00kW

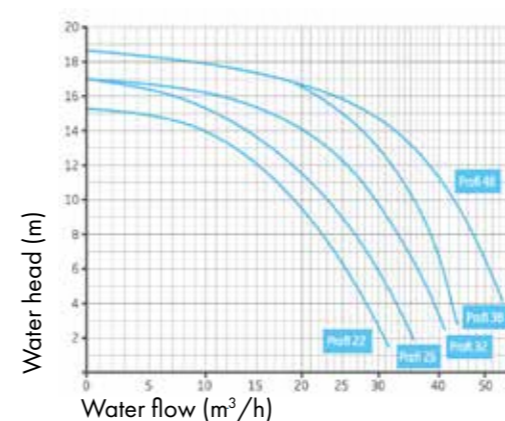
**BADU Profi**

Exclusive premium pump for large pools and swimming pools. Maximum efficiency and quiet operation. The pumps of the Delta range have a cover with LED illumination. They are fitted with PVC-U fittings for bonding, 63/75mm. Meets the highest requirements.



Code	Description	Voltage	Power output P <sub>2</sub>
210.2220.038	BADU Profi 22	1~230 V	0.75kW
210.2260.038	BADU Profi 26	1~230 V	1.00kW
210.2320.038	BADU Profi 32	1~230 V	1.30kW
210.2380.038	BADU Profi 38	1~230 V	1.80kW
210.2480.038	BADU Profi 48	1~230 V	2.20kW
210.2220.037	BADU Profi 22	3~400/230 V	0.75kW
210.2260.037	BADU Profi 26	3~400/230 V	1.00kW
210.2320.037	BADU Profi 32	3~400/230 V	1.30kW
210.2380.037	BADU Profi 38	3~400/230 V	1.80kW
210.2480.037	BADU Profi 48	3~400/230 V	2.20kW

**BADU Profi-MK**



Code	Description	Voltage	Power output P <sub>2</sub>
210.2220.238	BADU Profi-MK 18	1~230 V	0.75kW
210.2260.238	BADU Profi-MK 22	1~230 V	1.00kW
210.2320.238	BADU Profi-MK 28	1~230 V	1.30kW
210.2380.238	BADU Profi-MK 34	1~230 V	1.80kW
210.2480.238	BADU Profi-MK 44	1~230 V	2.20kW
210.2220.237	BADU Profi-MK 18	3~400/230 V	0.75kW
210.2260.237	BADU Profi-MK 22	3~400/230 V	1.00kW
210.2320.237	BADU Profi-MK 28	3~400/230 V	1.30kW
210.2380.237	BADU Profi-MK 34	3~400/230 V	1.80kW
210.2480.237	BADU Profi-MK 44	3~400/230 V	2.20kW

# PUMPS WITH INTEGRATED FREQUENCY



## BADU GREEN LINE

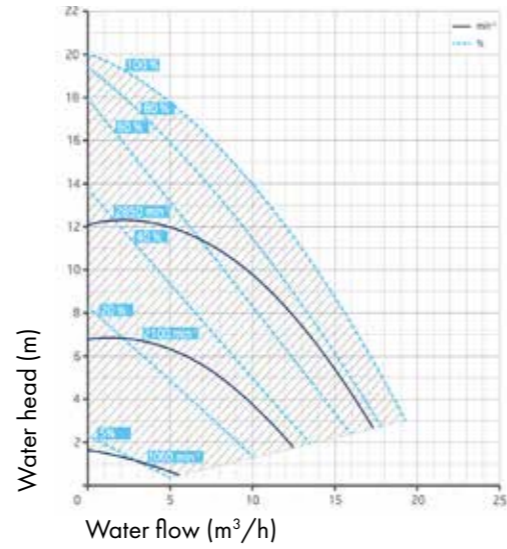
Energy-saving circulators with built-in inverter for programmable power level. External control via potential-free contacts. Motor speed increases automatically at higher pressure.

### BADU Alpha Eco Soft

The new standard for small pools with variable speed motor. The most efficient pump ever. Characterised by rapid self-priming. Features a constant power output function.



Code	Voltage	Output power P2
210.4000.038	1~230 V	0.50kW

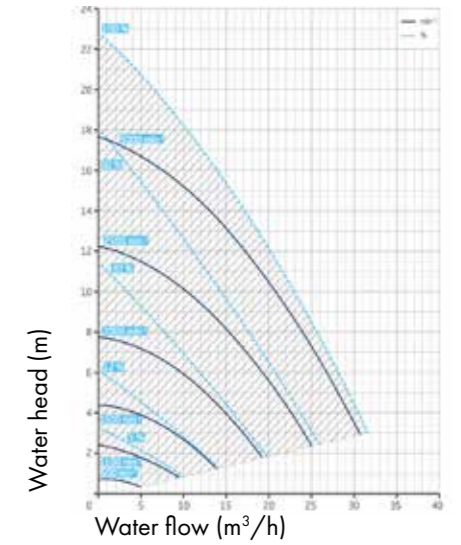


### BADU Gamma Eco VS

New bestseller with high-performance magnetic motor. Constant speed function and constant power output.



Code	Voltage	Output power P2
210.5231.138	1~230 V	1.10kW

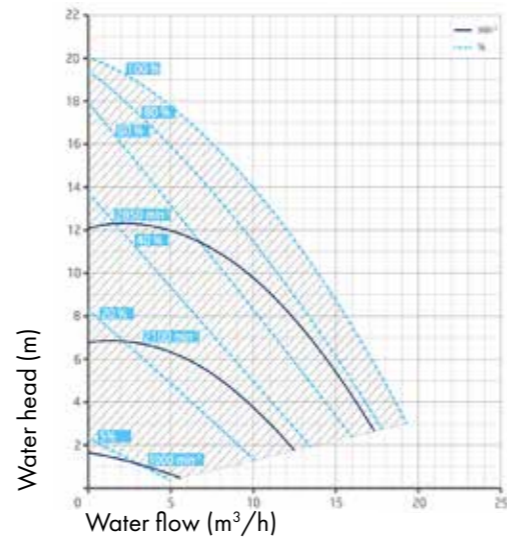


### BADU Eco Soft

Intelligent, fast and quiet. Features a noise-optimised motor. High-performance circulating pump making the most of its power.



Code	Voltage	Output power P2
219.0008.138	1~230 V	0.75kW

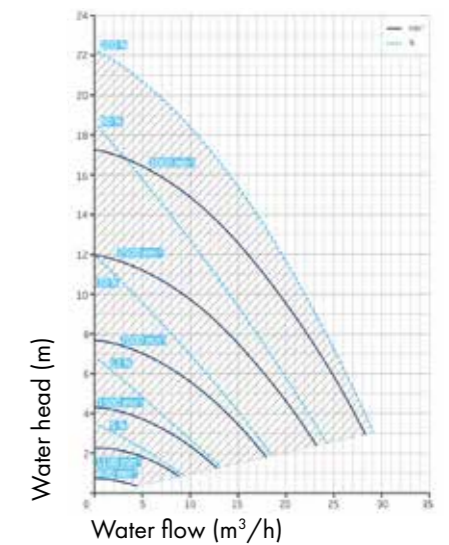


### BADU Prime Eco VS

Extremely economical and extremely quiet. Intelligent circulation pump for demanding customers.



Code	Voltage	Output power P2
219.0208.138	1~230 V	1.10kW

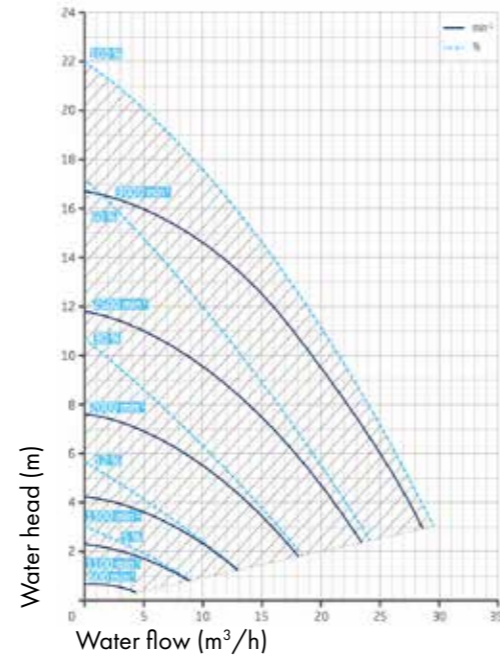


**BADU Bronze Eco VS**

Extremely economical, quiet and bronze circulation pump for demanding customers.



Code	Voltage	Output power P2
210.1022.138	1~230 V	1.10kW

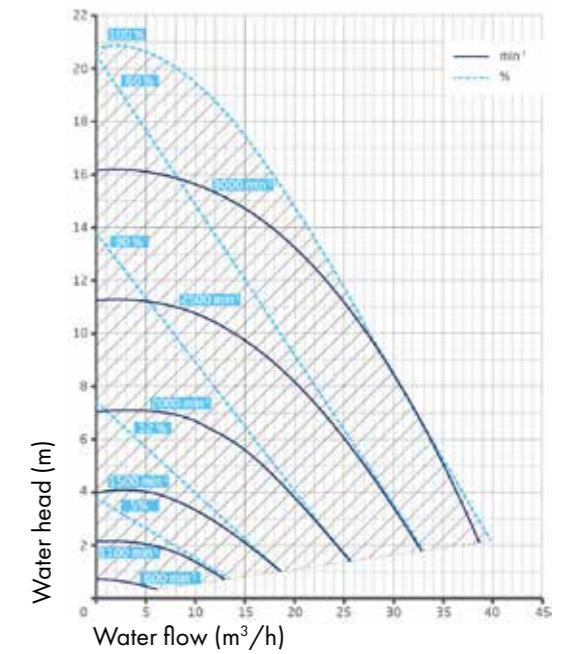


**BADU Delta-MK Eco VS**

Sealless pool pump with adjustable speed and magnetic clutch.



Code	Voltage	Output power P2
210.3281.438	1~230 V	1.40kW

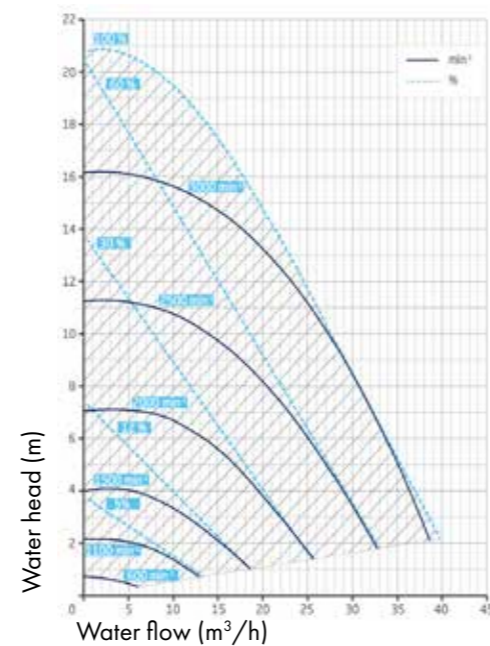


**BADU Delta Eco VS**

The new standard in high-performance variable speed circulation pumps for professionals.



Code	Voltage	Output power P2
210.3281.138	1~230 V	1.10kW

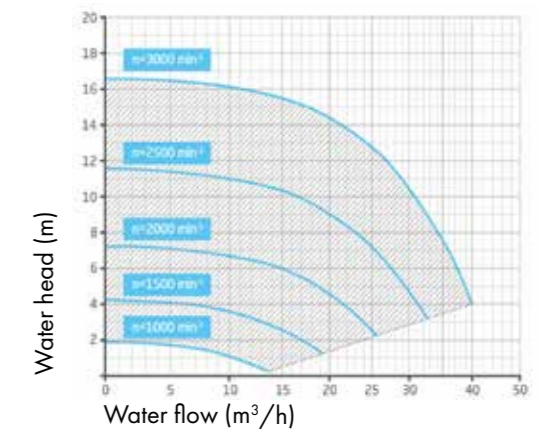


**BADU Profi Eco VS**

Exclusive premium pump with maximum energy efficiency. Particularly quiet. For larger pools and swimming baths. Meets the highest demands.



Code	Voltage	Output power P2
210.2321.138	1~230 V	1.40kW

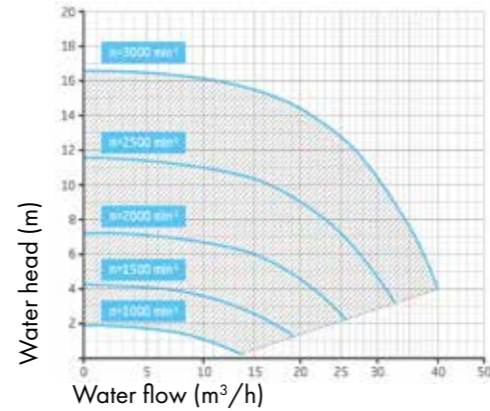


**BADU Profi-MK Eco VS**

Sealless pool pump with adjustable speed and magnetic clutch.



Code	Voltage	Output power P2
210.2321.438	1~230 V	1.40kW



**CONTROLLER FOR PUMPS WITH INTEGRATED INVERTER**

**BADU Eco Logic**

Fully automatically adjusts the pump filter run time in hard-to-reach technical areas.

**Product information:**

- full-text display for convenient operation and multilingual menus.
- intuitive menu for quick programming and evaluation of operating times.
- the control unit is individually programmable with three switching programmes per day.
- The control of the BADU GREEN pumps takes place both via the speed phases and via a control voltage of 0 to 10 V.
- an integrated additional relay allows programming of e.g. pool lighting.



Code	Description
271.6606.000	BADU Eco Logic

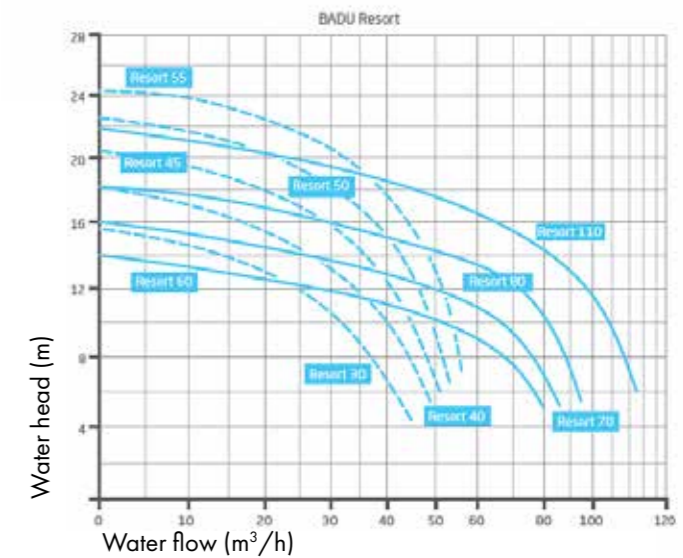


**BADU PUBLIC LINE**

BADU Public products meet the highest quality standards in terms of performance, efficiency and compatibility - in every size. Energy-efficient and environmentally friendly, robust and durable. Each pump is a true innovation in its field.

**BADU Resort**

The Resort pump line is designed for large hotel pools and wellness centres. High performance and durability are its greatest advantages. The pump is available in the BADU AK version (Destination: salt/sea/thermal water/ionisation system installations).



Code	Description	Voltage	Output power P2
219.5308.037	BADU Resort 30	3~400/230 V	1.50 kW
219.5408.037	BADU Resort 40	3~400/230 V	2.20 kW
C219.5458.037	BADU Resort 45	3~400/230 V	2.60 kW
219.5508.037	BADU Resort 50	3~400/230 V	3.00 kW
219.5558.037	BADU Resort 55	3~690/400 V	4.00 kW
219.5608.037	BADU Resort 60	3~400/230 V	2.60 kW
219.5708.037	BADU Resort 70	3~400/230 V	3.00 kW
219.5808.037	BADU Resort 80	3~690/230 V	4.00 kW
219.5118.037	BADU Resort 110	3~690/230 V	5.50 kW

## POMPY DLA PROJEKTÓW PUBLICZNYCH



Each project has special requirements, so each pump is designed individually for the customer. Please contact our sales department for a quotation.



BADU BLOCK



BADU BLOCK MULTI



NORMBLOCK MULTI



## FILTER PUMPS MADE OF BRONZE



### Exclusive pumps for efficient circulation

Pahlén filter pumps are made from corrosion-resistant bronze alloy for maximum service life. They are distinguished by their quiet and stable operation. All Pahlén pool pumps are fitted with a drain plug for convenient emptying of the water.

#### Linia P2000



Code	Typ	Moc (kW)	Voltage
112201	T150	1.50	400 V/ 3~
112211	T220	2.20	400 V/ 3~
112221	T400	4.00	400 V/ 3~

#### Linia P85



Code	Typ	Moc (kW)	Voltage
11224	T550	5.50	400 V/ 3~

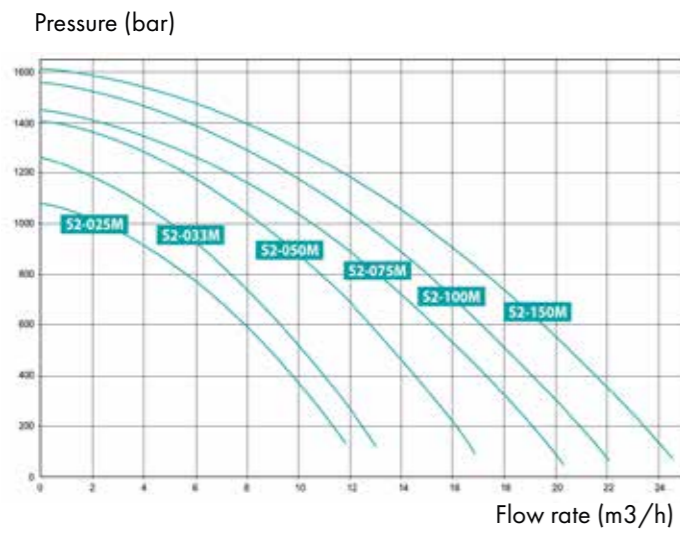


**PowerFlo® II**

**Product information :**

- Designed for small pools and in-ground pools
- Exceptional performance, one of the best in its category
- Prefilter with a capacity of 1.1 litres
- Recommended for swimming pools up to 100 m<sup>3</sup> \*

\* Calculation on the basis of 6-hour rotations



Easy access to the pre-filter



Drain plugs enable easy winterisation



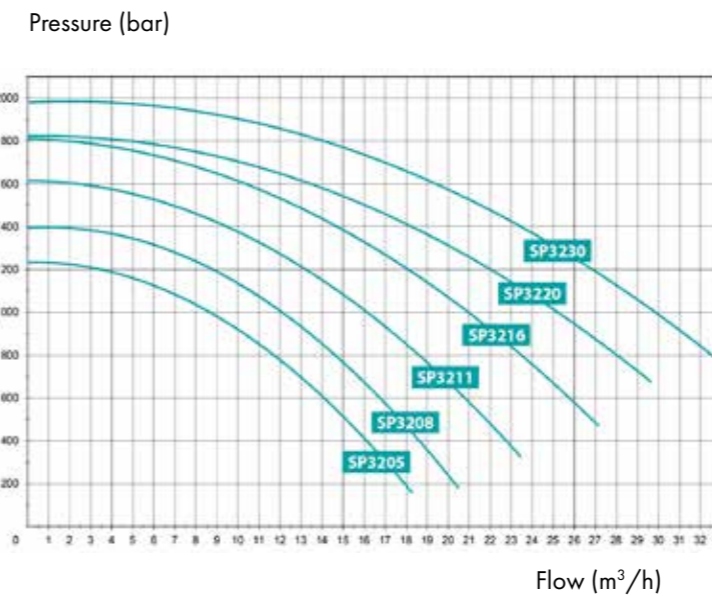
outlet 50 mm or couplings Ø 32/38

Code	Flow* (m³/h)	Output power P2	Power supply
SP8102XE31	5.4	300 W	1.92 A
SP8103XE61	7.3	320 W	2.32 A
SP8105XE81	10.8	560 W	3.51 A
SP8107XE111	13	610 W	3.76 A
SP8110XE161	15	730 W	4.36 A
SP8115XE221	17.2	900 W	5.32 A

\* at a pressure of 8 m water column

**TriStar® model**

- Recommended for swimming pools with a capacity of up to 150 m<sup>3</sup>
- Connections: Ø 63 mm
- 2-year manufacturer's guarantee



Easy-to-handle design ensures simple installation and maintenance



Drain plugs enable easy winterisation



Transparent strainer lid

Code	Flow (m³/h)	Output power P2 (KM)	Power supply
SP32051	11.40	0.43	1~230
SP32081	14.50	0.43	1~230
SP32111	18.50	0.72	1~230
SP32161	23.50	0.79	1~230
SP32201	28	1.16	1~230
SP32203	28	1.10	3~400
SP32301	32.5	1.68	1~230
SP32303	32.5	1.50	3~400

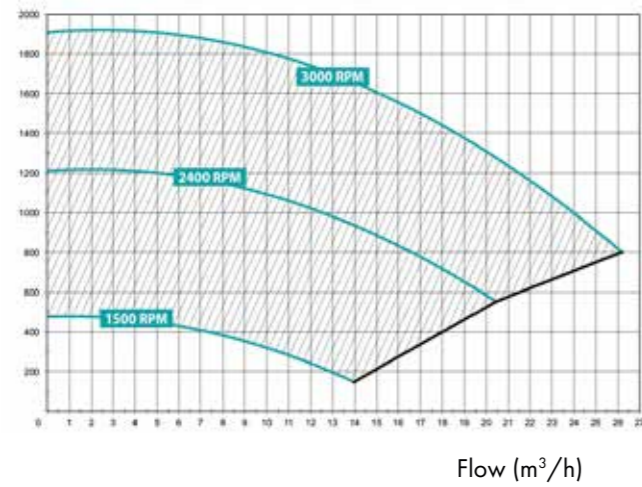
### TriStar® VSTD model

- Recommended for swimming pools with a capacity of up to 150 m<sup>3</sup>
- Connections: Ø 63 mm
- 2-year manufacturer's guarantee



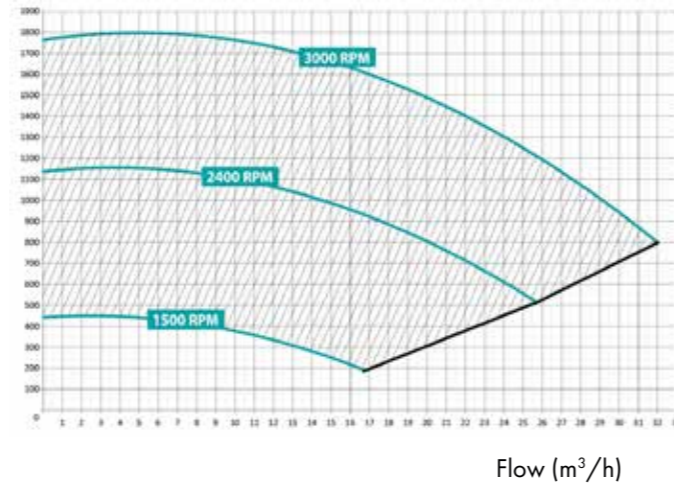
### 1.5 KM

Pressure (bar)



### 2 KM

Pressure (bar)



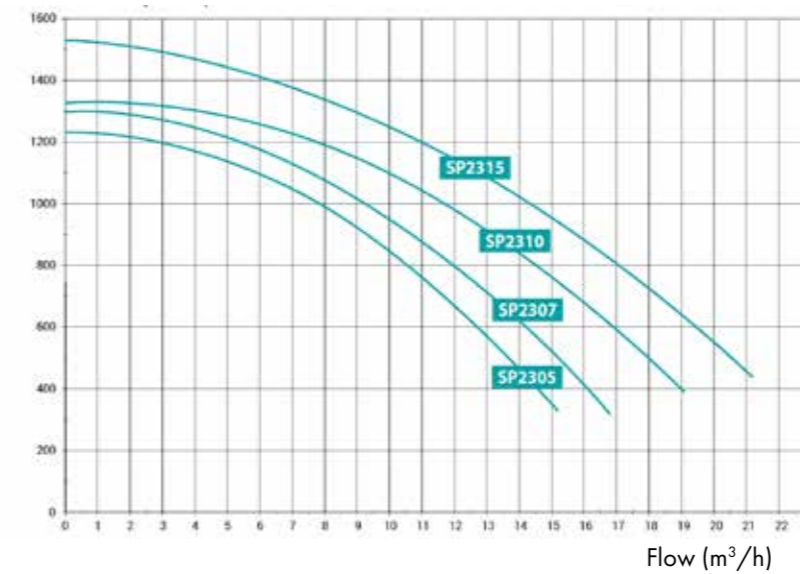
Code	Flow (m <sup>3</sup> /h)	Output power P2 (KM)
SP3216VSTD	26.30	1.10
SP3220VSTD	31.00	1.40

### MaxFlo XL™ model

- Recommended for swimming pools with a capacity of up to 80 m<sup>3</sup>
- Connections: Ø 50 mm
- 2-year manufacturer's guarantee



Pressure (bar)



Easy-to-handle design ensures simple installation and maintenance



Transparent filter cover



Drain plugs enable easy winterisation

Code	Flow (m <sup>3</sup> /h)	Output power P2 (KM)	Power supply	Connections Ø mm
SP2305XE81	10.50	0.43	1~230 V	500
SP2307XE111	12.00	0.43	1~230 V	50
SP2310XE161	14.50	0.72	1~230 V	50
SP2315XE221	17.00	0.79	1~230 V	50/63
SP2307XE113	12.80	0.43	3~ 400 V	50
SP2310XE163	14.50	0.69	3~ 400 V	50
SP2315XE223	16.20	0.75	3~ 400 V	50/63

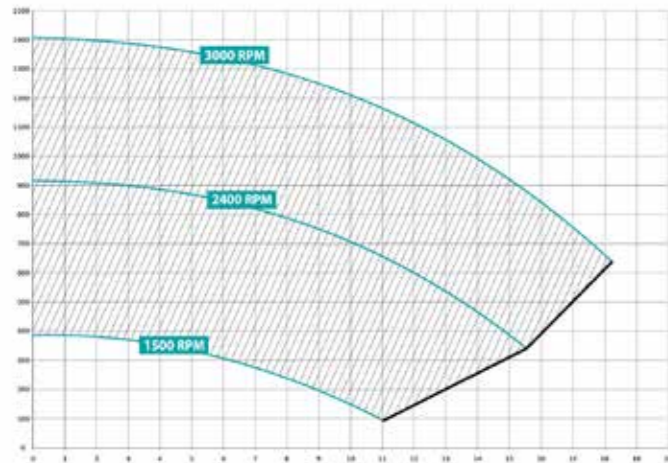
MaxFlo XL™ VSTD model

- Recommended for swimming pools with a capacity of up to 65 m<sup>3</sup>
- 2-year manufacturer's guarantee



1 KM

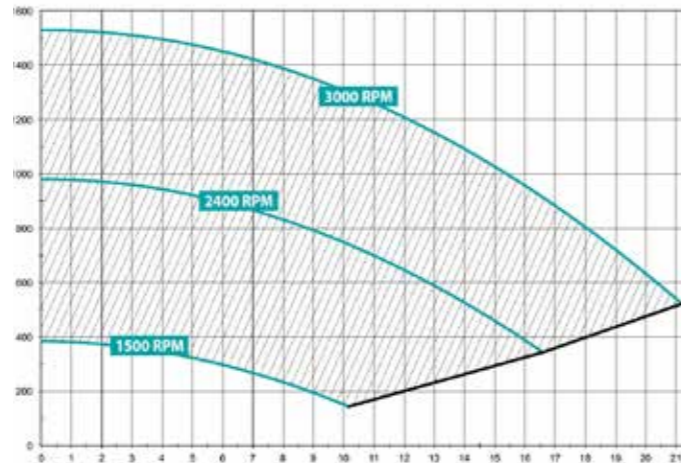
Pressure (bar)



Flow (m<sup>3</sup>/h)

1.5 KM

Pressure (bar)



Flow (m<sup>3</sup>/h)

Code	Przepływ (m <sup>3</sup> /h)	Output power P2 (KM)	Connections Ø mm
SP2310VSTD	16.50	0.75	0.75
SP2315VSTD	18.00	1.10	1.10

Koral - KSE model



- Suitable for use in salt water
- Connections: Ø 50 mm lub 63 mm
- Destination: private pools to 177 m<sup>3</sup>
- 2-year manufacturer's guarantee



Code	References	Flow (m <sup>3</sup> /h)	Output power P2 (KM)	Power supply (V)
010401221010	KSE 33 M	4.80	0.33	1~230
010411320110	KSE 50 M	7.50	0.50	1~230
010411420110	KSE 75 M	11.50	0.75	1~230
010411520110	KSE 100 M	15.40	1.00	1~230
010421120120	KSE 150 M	21.90	1.50	1~230
010421220120	KSE 200 M	25.70	2.00	1~230
010421420120	KSE 300 M	29.50	3.00	1~230
010411350110	KSE 50 T1	7.50	0.50	3~400
010411450110	KSE 75 T1	11.50	0.75	3~400
010411550110	KSE 100 T1	15.40	1.00	3~400



## FREQUENCY CONVERTERS

### Combination of advanced technology and ease of use

The purpose of a frequency converter, also commonly referred to as an inverter or inverter, is to reduce the operating costs in a swimming pool. The inverter changes the speed of the pump filter motor by varying the frequency of the current, which in turn changes the power consumed.

### Product information:

- Easy to use, simple to install, connect and start up - only 14 basic parameters
- Integrated LED display and keypad
- Integrated brake transistor and slot for using a board resistor
- Integrated EMC filter and overvoltage protection
- Rail and rack mounting
- Handy operating instructions in the integrated "help" pocket with a description of the 14 parameters and connection diagram



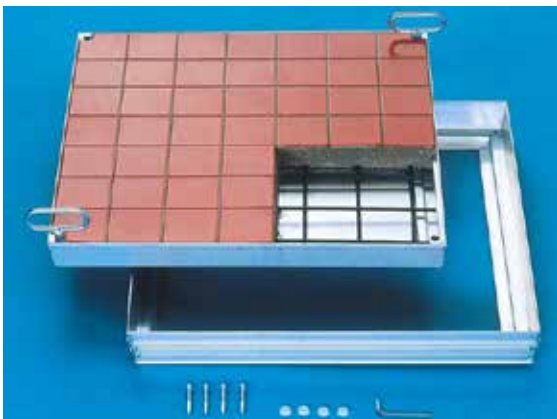
Contact your account manager for a personalised quote.

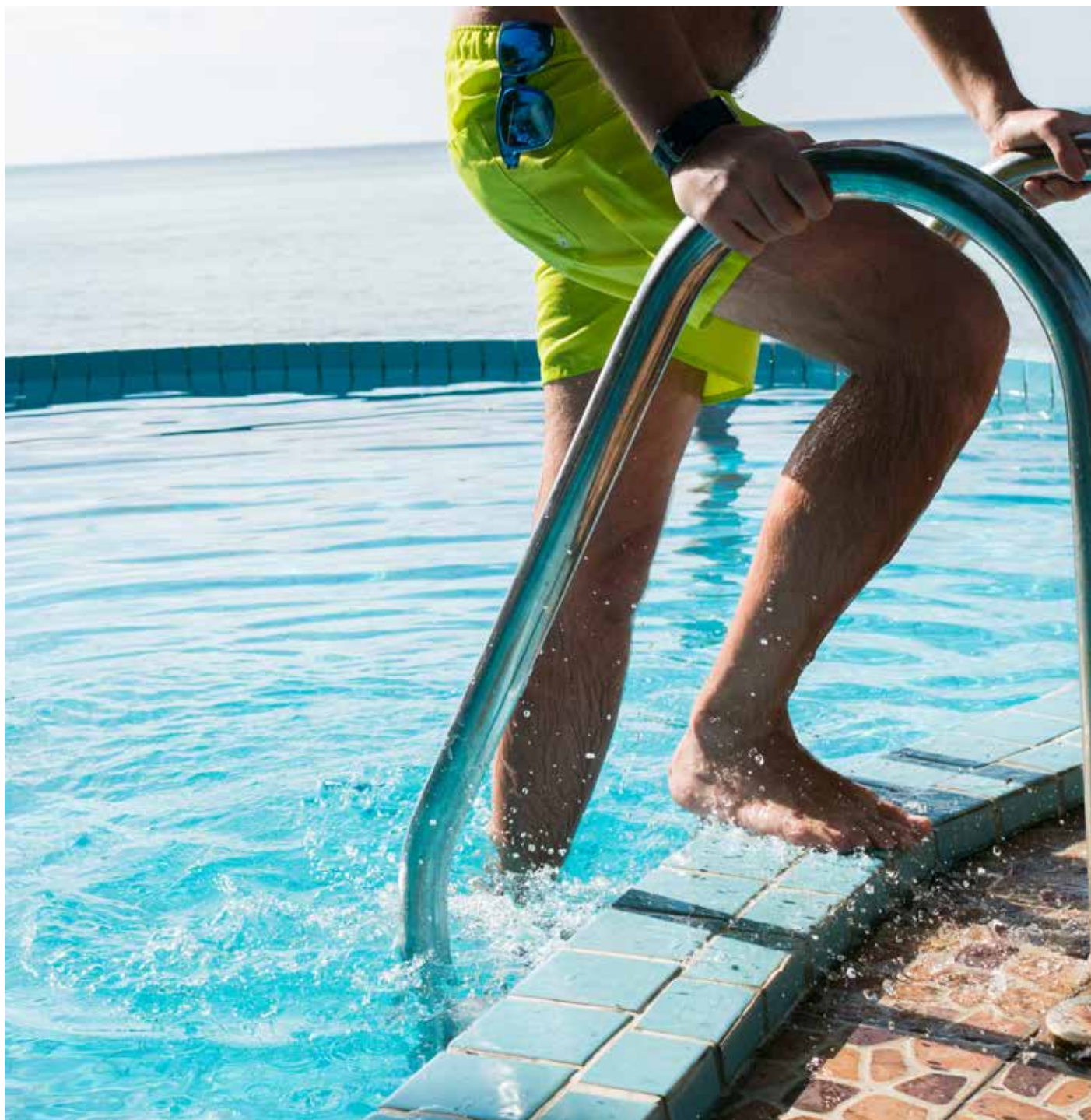
## HATCHES FOR TECHNICAL ROOMS

### Product information

- airtight protection for the technical room
- complete with keys for opening/closing the cover
- can be covered with any material, e.g. swimming pool beach

Code	External dimensions [cm]	Internal dimensions [cm]
5008021	52 x 52	46 x 46
5008022	57 x 57	51 x 51
5008023	66.5 x 66.5	60.5 x 60.5
5008024	76.5 x 76.5	70.5 x 70.5
5008025	92 x 92	86 x 86





## Entrance to the swimming pool

STAINLESS STEEL LADDERS.....	260
STAINLESS STEEL POOL FIXTURES AND HANDRAILS.....	262
STAINLESS STEEL LADDERS.....	263
STAINLESS STEEL ACCESSORIES.....	268

## STAINLESS STEEL LADDERS

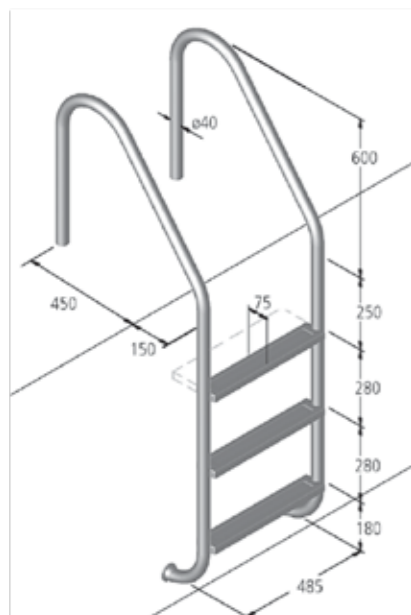
**IDEAL**  
EDELSTAHL



All IDEAL brand ladders are exclusively manufactured in Germany, from high quality polished acid-resistant steel type 316, tube diameter Ø40 mm.

### STAINLESS STEEL MARINA LADDER

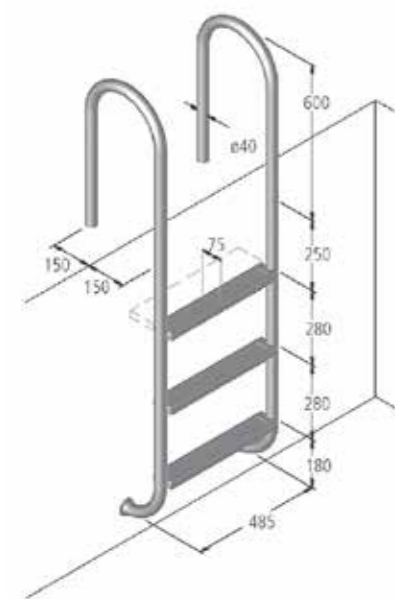
Assembly kit not included



Code	Description
053450	3-step ladder minimum pool depth: 1060 mm
054450	4-step ladder minimum pool depth: 1340 mm
055450	5-step ladder minimum pool depth: 1620 mm
664422	Installation kit with anchors. Price per set- 2 pieces.
614500	Safety step 180 x 485 mm

### TINA LADDER IN STAINLESS STEEL

Assembly kit not included



Code	Description
013410	3-step ladder minimum pool depth: 1060 mm
014410	4-step ladder minimum pool depth: 1340 mm
015410	5-step ladder minimum pool depth: 1620 mm
664422	Installation kit with anchors. Price per set- 2 pieces.
614500	Safety step 180 x 485 mm

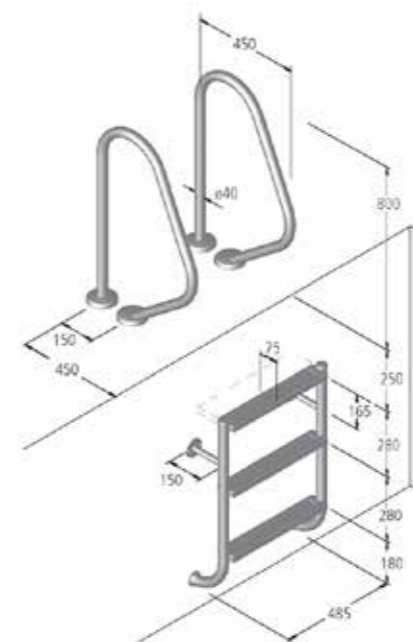
Complete range on request

@

**IDEAL**  
EDELSTAHL

### TINA TWO-PIECE LADDER IN STAINLESS STEEL

Complete ladder (steps + handholds)

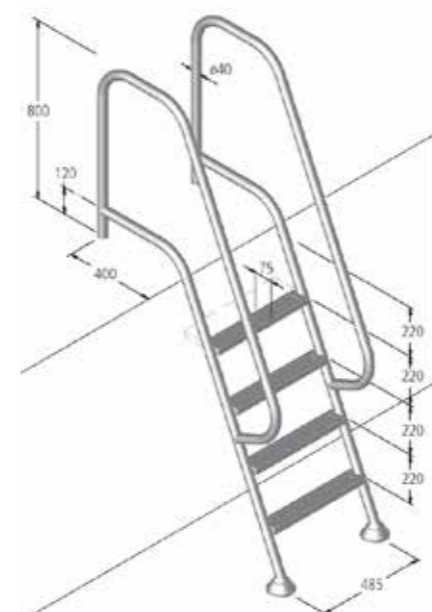


Code	Description
043416	3-step ladder minimum pool depth: 1060 mm
044416	4-step ladder minimum pool depth: 1340 mm
614500	Safety step 180 x 485 mm

### FLORIDA STEPS IN STAINLESS STEEL

Inclined at an angle of 24°

Assembly kit not included



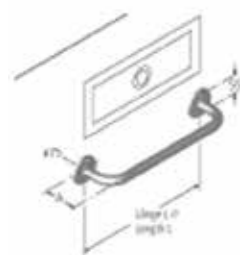
Code	Description
101004	4-step staircase maximum depth of the pool: 1280 mm
101005	5-step staircase maximum depth of the pool: 1500 mm
101006	6-step staircase maximum depth of the pool: 1720 mm
101007	7-step staircase maximum depth of the pool: 1940 mm
101008	8-step staircase maximum depth of the pool: 2160 mm
664422	Installation kit with anchors. Price per set- 2 pieces.
614524	Safety step 180 x 485 mm, inclination angle 24°

## SWIMMING POOL HANDRAILS IN ACID RESISTANT STEEL

Made from high quality polished acid-resistant steel type 316.

### STAINLESS STEEL CLASSIC HANDLE

Handle diameter available in two variants



Code	Diameter [mm]	Length [mm]
212425	Ø 25	250
212430	Ø 25	300
213440	Ø 35	400
213450	Ø 35	500

### STAINLESS STEEL SIMPLE HANDRAIL

Available in three wall bracket variants

With straight handle



Code	Diameter [mm]	Length [mm]
141410	Mounting brackets included (2 pcs.)	1m
141420	Fixing brackets included (3 pcs.)	2m
141430	Fixing brackets included (3 pcs.)	3m

With curved handle



Code	Diameter [mm]	Length [mm]
141510	Fixing brackets included (2 pcs.)	1m
141520	Fixing brackets included (3 pcs.)	2m
141530	Fixing brackets included (3 pcs.)	3m

With curved handle



Code	Diameter [mm]	Length [mm]
141610	Fixing brackets included (2 pcs.)	1m
141620	Fixing brackets included (3 pcs.)	2m
141630	Fixing brackets included (3 pcs.)	3m

Customised design possible on request

**IDEAL**  
EDELSTAHL

## STAINLESS STEEL LADDERS

### STANDARD LADDERS

Made of stainless steel type AISI 304 or acid resistant type AISI 316, handrail diameter 43 mm, glossy polished finish. Includes an anti-slip pad in all steps for safe and comfortable use.

Designed in accordance with European standard EN 16582 1. Supplied with anchors (one of which is grounded), stoppers, screws and strips.



Stainless steel ladders							
Code	Model	Steel type	Number of steps	Weight	Depth	Width	Height
070201320000F	MI2HF	AISI 304L	2	10 kg	350 mm	500 mm	1326 mm
070201330000F	MI3HF	AISI 304L	3	11.8kg	350 mm	500 mm	1576 mm
070201340000F	MI4HF	AISI 304L	4	13.2 kg	350 mm	500 mm	1826 mm
070201350000F	MI5HF	AISI 304L	5	14 kg	350 mm	500 mm	2076 mm

Acid-resistant steel ladders							
Code	Model	Steel type	Number of steps	Weight	Depth	Width	Height
070210320000F	IM2HF	AISI 316L	2	11 kg	350 mm	500 mm	1326 mm
070210330000F	IM3HF	AISI 316L	3	11.8 kg	350 mm	500 mm	1526 mm
070210340000F	IM4HF	AISI 316L	4	13.2 kg	350 mm	500 mm	1826 mm
070210350000F	IM5HF	AISI 316L	5	14 kg	350 mm	500 mm	2076 mm

### LUXUS LADDERS

Made of stainless steel type AISI 304 or acid resistant type AISI 316, handrail diameter 43 mm, glossy polished finish. Includes an anti-slip pad in all steps for safe and comfortable use.

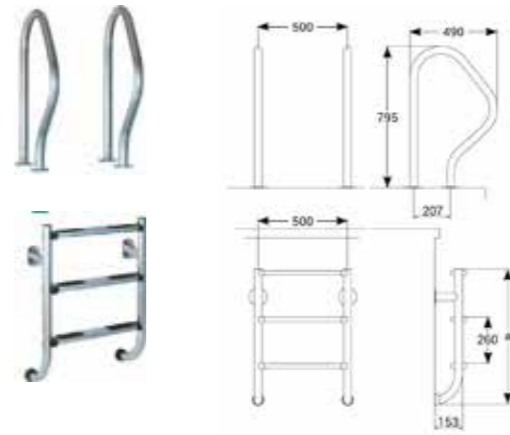
Designed in accordance with European standard EN 16582. Supplied with anchors, (one of which is grounded), stoppers, screws and strips.



Stainless steel ladders							
Code	Model	Steel type	Number of steps	Weight	Depth	Width	Height
070101320000F	PI2HF	AISI 304L	2	10 kg	657 mm	500 mm	1326 mm
070101330000F	PI3HF	AISI 304L	3	11.8kg	657 mm	500 mm	1576 mm
070101340000F	PI4HF	AISI 304L	4	13.2 kg	657 mm	500 mm	1826 mm
070101350000F	PI5HF	AISI 304L	5	14 kg	657 mm	500 mm	2076 mm

Acid-resistant steel ladders							
Code	Model	Steel type	Number of steps	Weight	Depth	Width	Height
070110320000F	IP2HF	AISI 316L	2	10 kg	657 mm	500 mm	1326 mm
070110330000F	IP3HF	AISI 316L	3	11.8 kg	657 mm	500 mm	1576 mm
070110340000F	IP4HF	AISI 316L	4	13.2 kg	657 mm	500 mm	1826 mm
070110350000F	IP5HF	AISI 316L	5	14 kg	657 mm	500 mm	2076 mm

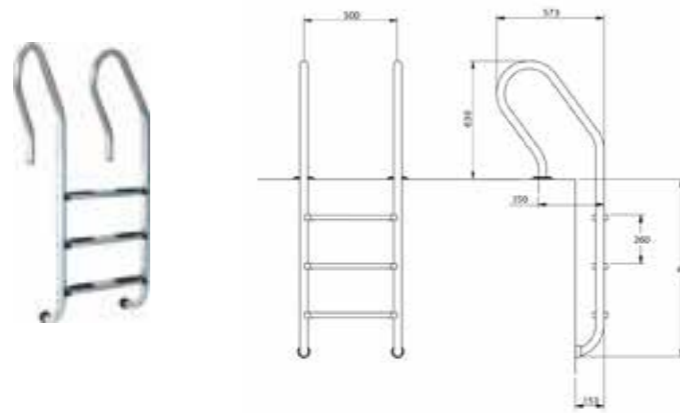
## TWO-PART LADDERS



Stainless steel ladders								
Code	Model	Steel type	Description	Number of steps	Weight	Depth	Width	Height
070510320000F	PD1 HF	AISI 316L	Exit railing kit	-	7.5 kg	480 mm	500 mm	820 mm
070510330200F*	IDP3-STEP	AISI 316L	Two-part	3	3.5 kg	170 mm	500 mm	880 mm
070510340200F*	IDP4-STEP	AISI 316L	Two-part	4	5 kg	170 mm	500 mm	1130 mm
070510350200F*	IDP5-STEP	AISI 316L	Two-part	5	6.5 kg	170 mm	500 mm	1380 mm

\*Exit handrails for two-piece ladders 070510320000F are not included.

## MIXED LADDERS



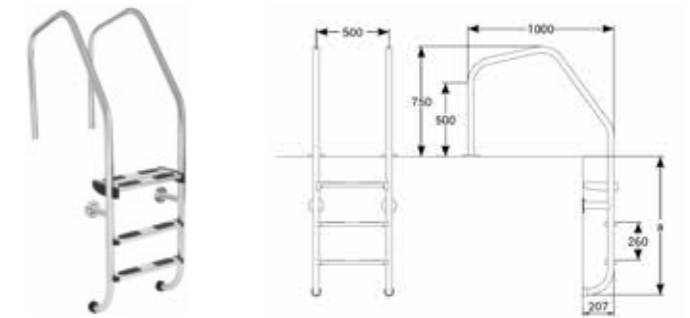
Stainless steel ladders							
Code	Model	Steel type	Number of steps	Weight	Depth	Width	Height
070301320000F	MXI2HF	AISI 304	2	10 kg	350 mm	500 mm	1326 mm
070301330000F	MXI3HF	AISI 304	3	11.8kg	350 mm	500 mm	1576 mm
070101340000F	MXI4HF	AISI 304	4	13.2 kg	350 mm	500 mm	1826 mm
070101350000F	MXI5HF	AISI 304	5	14 kg	350 mm	500 mm	2076 mm

Acid-resistant steel ladders							
Code	Model	Steel type	Number of steps	Weight	Depth	Width	Height
070310330000F	IMX3HF	AISI 316	3	11.8 kg	350 mm	500 mm	1576 mm
070310340000F	IMX4HF	AISI 316	4	13.2 kg	350 mm	500 mm	1826 mm
070310350000F	IMX5HF	AISI 316	5	14 kg	350 mm	500 mm	2076 mm

## MUNICH LADDERS



Made of stainless steel type AISI 304 or acid resistant type AISI 316, handrail diameter 43 mm, glossy polished finish. Includes an anti-slip pad in all steps for safe and comfortable use. Designed in accordance with European standard EN 16582 1. Supplied with anchors, (one of which is grounded), stoppers, screws and strips.



Acid-resistant steel ladders							
Code	Model	Steel type	Number of steps	Weight	Depth	Width	Height
070410330000F	IEM3HF	AISI 316L	2 + 1 double	13.8 kg	1000 mm	500 mm	1600 mm
070410340000F	IEM4HF	AISI 316L	3 + 1 double	15.8 kg	1000 mm	500 mm	1850 mm
070410350000F	IEM5HF	AISI 316L	4 + 1 double	16.8 kg	1000 mm	500 mm	2100 mm

## ERGONOMIC LADDERS



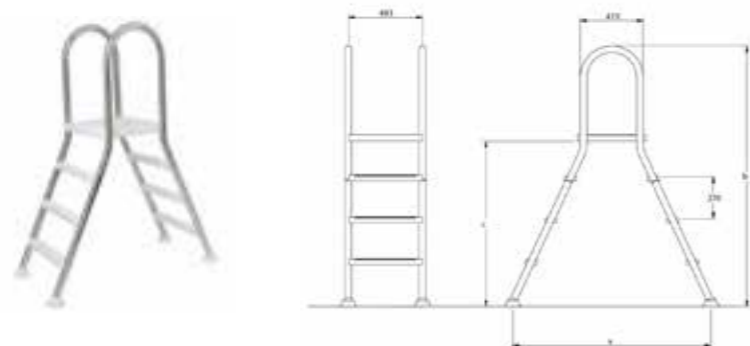
Acid-resistant steel ladders							
Code	Model	Steel type	Number of steps	Weight	Depth	Width	Height
070810230000	EAF 3	AISI 316	3	16 kg	1000 mm	500 mm	1472 mm
070810240000	EAF 4	AISI 316	4	17 kg	1000 mm	500 mm	1692 mm

## MURO ASYMMETRIC LADDERS



Stainless steel ladders							
Code	Model	Steel type	Number of steps	Weight	Depth	Width	Height
070202330000F	MAI3HF	AISI 304	3	11 kg	346 mm	500 mm	1830 mm
070202340000F	MAI4HF	AISI 304	4	13 kg	346 mm	500 mm	2080 mm
070202350000F	MAI5HF	AISI 304	5	15 kg	346 mm	500 mm	2330 mm

## LADDERS FOR ABOVE-GROUND SWIMMING POOLS



Code	Model	Steel type	Number of steps	Weight	Depth	Width	Height
070701830000F	EEP3HF	304/ABS	3+3	19 kg	1155 mm	483 mm	1670 mm
070701840000F	EEP4HF	304/ABS	4+4	21 kg	1350 mm	483 mm	1900 mm
070701850000F	EEP5HF	304/ABS	5+5	23 kg	1545 mm	483 mm	2130 mm

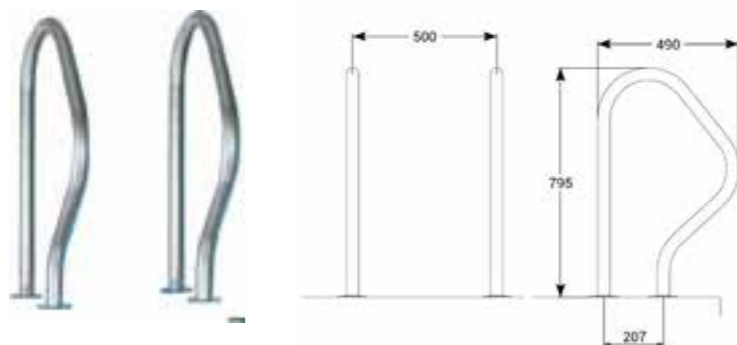
- Ladders for pools partially embedded in the ground



Code	Model	Steel type	Number of steps	Weight	Depth	Width	Height
070601840000F	ESP4HF	304/ABS	4+1	18 kg	920 mm	483 mm	1900 mm
070601850000F	ESP5HF	304/ABS	5+1	19 kg	1020 mm	483 mm	2130 mm

## LADDER ACCESSORIES

- Exit brackets for two-part ladders



Code	Model	Steel type	Weight	Ø Pipes
070510320000F	PD 1 HF	AISI 316	7.5 kg	43 mm



### Mounting flange Ø40 mm

Allows manual removal of the ladder without the need for tools.



Code	Description
071501103040F	Mounting flange Ø40 mm

### Swivel flange

Allows the ladder to be tilted upwards without having to be completely dismantled.



Code	Description
071501203160F	Swivel flange

### Safety step

The safety step made of AISI 304 stainless steel consists of a pair of anti-slip surfaces. It is compatible with all Kripsol ladder models and can be added to ladders that are already installed in the pool. The product complies with European standards EN-13451-1 and EN-13451-2.



Code	Description
071502316000F	Safety step



# STAINLESS STEEL ACCESSORIES



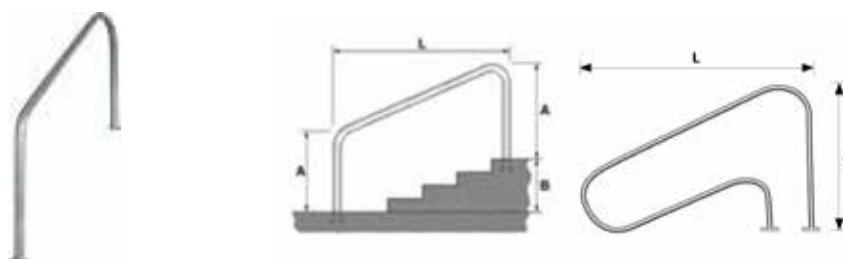
## HANDRAILS AND HANDHOLDS

- Acid-resistant steel handles



Code	Model	Steel type	Weight	Length A	Height B	Ø Pipes
073510101000F	AS101HF	AISI 316	4.2 kg	1000 mm	120 mm	43 mm
073510201000F	AS201HF	AISI 316	7.9 kg	2000 mm	120 mm	43 mm

- Stainless and acid-resistant steel handrails



Code	Model	Steel type	Weight	Length A	Height B	Ø Pipes
073601120001F	BP1201	AISI 304	8.2 kg	1220 mm	800 mm	43 mm
073601150001F	BP1501	AISI 304	9.1 kg	1524 mm	800 mm	43 mm
073610123501F	BPFE 1201	AISI 316	8 kg	1235 mm	772 mm	43 mm





## Water treatment

WATER ANALYSIS.....	270
WATER METERING PUMPS.....	283
MEASURING AND DOSING STATIONS.....	284
SPARE PARTS FOR AQUACONTROL DOSING STATIONS.....	288
CHLORINEATORY I BROMATORY.....	296
WATER TREATMENT WITH UV RAYS.....	300
TABLET SALT FOR WATER TREATMENT SYSTEMS.....	302
WATER SOFTENERS.....	302
PH CORRECTION.....	303
DISINFECTION BY CHLORINEINE METHOD.....	304
DISINFECTION BY OXYGEN.....	306
PREVENTION OF ALGAE GROWTH.....	306
COAGULATION.....	307
FOOT DISINFECTION DEVICE.....	308
OXYGEN BAR OXY VITAL 2000.....	308
COVID SAUNARIO WASHBASIN.....	308

# WATER ANALYSIS

## POOLTESTER



Hand-held pool tester allows simultaneous measurement of water conditioner concentration and pH value available in two versions :

- Measuring pH and Chlorine (151600)
- Measuring pH and active oxygen (151605)

### High accuracy of measurement

The results are presented with high measurement accuracy. They are reliable and can be countered if necessary.

### Intuitiveness

Operation of the tester is intuitive. When in doubt, just look at the packaging and understandable instructions to eliminate ambiguities.



### Each set includes:

- Pooltester in a sturdy box made of plastic
- Reagents in tablets for 20 tests
- Instructions for use

### Advantages:

- Ease of use
- Futuristic design
- Rapid dissolution of RAPID tablets
- Superior accuracy

Measurement range:

Chlorine	0.1 - 3.0 mg/L Cl <sub>2</sub>
pH	6.8- 8.2 pH

Code	Description
151600	Handheld tester for Measuring pH and chlorine

Dedicated reagents:

Name of reactant	Measurement range	Packaging	Product code
DPD No. 1 Rapid	0.1- 3.0 mg/L Cl <sub>2</sub>	tablets/ 100 pcs.	511310BT
DPD No. 1 Rapid	0.1- 3.0 mg/L Cl <sub>2</sub>	250	511311BT
DPD No. 1 Rapid	0.1- 3.0 mg/L Cl <sub>2</sub>	500	511312BT
Phenol Red Rapid	6.8- 8.2 pH	100	511790BT
Phenol Red Rapid	6.8- 8.2 pH	250	511791BT
Phenol Red Rapid	6.8- 8.2 pH	500	511792BT
Chlorine-pH	0.1- 3.0 mg/L Cl <sub>2</sub> ; 6.8- 8.2 pH	DPD No. 1 Rapid 30 tablets set + 30 tablets Phenol Red Rapid	515884

## Handheld tester for Measuring pH and active oxygen

Measurement range:

Active oxygen	0 - 10 mg/L O <sub>2</sub>
pH	6.8- 8.2 pH

Code	Description
151605	Handheld tester for Measuring pH and active oxygen



Dedicated reagents:

Name of reactant	Measurement range	Packaging	Product code
DPD No. 4 Rapid	0- 10 mg/L O <sub>2</sub>	tablets/ 100 pcs.	511570BT
DPD No. 4 Rapid	0- 10 mg/L O <sub>2</sub>	250	511571BT
DPD No. 4 Rapid	0- 10 mg/L O <sub>2</sub>	500	511572BT
Phenol Red Rapid	6.8- 8.2 pH	tablets 100 pcs.	511790BT
Phenol Red Rapid	6.8- 8.2 pH	250	511791BT
Phenol Red Rapid	6.8- 8.2 pH	500	511792BT
Active oxygen-pH	0- 10 mg/L O <sub>2</sub> ; 6.8- 8.2 pH	Set of 30 DPD No. 4 Rapid + 30 tablets Phenol Red Rapid	515934

## POOLTESTER

Compact 3-chamber bromine/ Chlorine, pH kit in bubble pack.  
The device allows several parameters to be measured at the same time.



### Economical

The pool water testing kit is the Economical baseline option in water analysis.

### Multiple measurement combinations

The kit allows various pool water parameters to be tested. Examples of possible combinations:

- Chlorine + pH,
- Brom + pH,
- Active oxygen + pH
- Biguanid (PHMB) + pH

### Immediate use

The kit contains reagents in tablets for 20 tests each and an instruction manual, all packed in a handy and transparent mini-case. This means that you can both have everything under control, but also at hand at all times.



### Each set includes:

- Pool test kit in bubble pack or mini case
- User manual

### Advantages:

- Ease of use
- Futuristic design
- Rapid dissolution of RAPID tablets
- Highest accuracy

Measurement range:

Chlorine	0.1 - 3.0 mg/L Cl <sub>2</sub>
pH	6.8- 8.2 pH

Code	Description
157520	Compact 3-chamber bromine/ Chlorine, pH kit in bubble pack.

Dedicated reagents:

Name of reactant	Measurement range	Packaging	Product code
DPD No. 1 Rapid	0.1- 3.0 mg/L Cl <sub>2</sub>	tablets/ 100 pcs.	511310BT
DPD No. 1 Rapid	0.1- 3.0 mg/L Cl <sub>2</sub>	250	511311BT
DPD No. 1 Rapid	0.1- 3.0 mg/L Cl <sub>2</sub>	500	511312BT
Phenol Red Rapid	6.8- 8.2 pH	100	511790BT
Phenol Red Rapid	6.8- 8.2 pH	250	511791BT
Phenol Red Rapid	6.8- 8.2 pH	500	511792BT
Zestaw Chlorine-pH	0.1- 3.0 mg/L Cl <sub>2</sub> ; 6.8- 8.2 pH	Set of 30 DPD No. 1 Rapid tablets + 30 Phenol Red Rapid tablets	515884

## POOLTESTER

Compact 3-chamber bromine/ Chlorine, pH kit in bubble pack.  
The device allows several parameters to be measured at the same time.



### Economical

The pool water testing kit is a cost-effective entry-level option in water analysis.

### Multiple measurement combinations

The kit allows various pool water parameters to be tested. Examples of possible combinations:

- Chlorine + pH,
- Brom + pH,
- Active oxygen + pH
- Biguanid (PHMB) + pH

### Immediate use

The kit contains reagents in tablets to perform 20 tests each and an instruction manual, all packed in a handy and transparent mini case. This allows you to have everything under control at the same time, but also at hand at any time.

### Each set includes:

- Pool test kit in bubble pack or mini case
- User manual

### Advantages:

- Ease of use
- Futuristic design
- Rapid dissolution of RAPID tablets
- Highest accuracy

Measurement range:

Active oxygen	0 - 10 mg/L O <sub>2</sub>
pH	6.8- 8.2 pH

Code	Description
157610	Pooltester- compact 3-chamber Active oxygen/ pH kit in bubble pack.

Dedicated reagents:

Name of reactant	Measurement range	Packaging	Product code
DPD No. 4 Rapid	0- 10 mg/L O <sub>2</sub>	tablets/ 100 pcs.	511570BT
DPD No. 4 Rapid	0- 10 mg/L O <sub>2</sub>	250	511571BT
DPD No. 4 Rapid	0- 10 mg/L O <sub>2</sub>	500	511572BT
Phenol Red Rapid	6.8- 8.2 pH	tablets 100 pcs.	511790BT
Phenol Red Rapid	6.8- 8.2 pH	250	511791BT
Phenol Red Rapid	6.8- 8.2 pH	500	511792BT
Active oxygen-pH set	0- 10 mg/L O <sub>2</sub> ; 6.8- 8.2 pH	Set of 30 DPD No. 4 Rapid tablets + 30 Phenol Red Rapid tablets	515934

## Fotometr Scuba II

For the measurement of water parameters in private pools and spa tubs



### Main water parameters

The Scuba II works intuitively and measures the most important pool parameters such as free chlorine, total chlorine, bromine, pH, alkalinity and cyanuric acid value.

### Waterproof

If the device falls into water? No need to worry! Scuba II is waterproof and buoyant (unsinkable).

### Integrated measuring chamber

Yese a sample by immersing the measuring chamber in the instrument

### Rapid results

After adding the reagent, press the "Test" button. The result is available in just a few seconds.

### Each set includes:

- Scuba II photometer in plastic packaging
- 20 DPD No.1 reagents in tablets
- 20 Phenol Red reagents in tablets
- 10 DPD No.3 Evo reagents in tablets
- 10 CyA-Test reagents in tablets
- 10 Alka-M-Photometer reagents in tablets
- User manual



### Advantages:

- Ease of use
- Futuristic design
- Rapid dissolution of RAPID tablets
- Highest accuracy

Measurement range:

Test name	Measurement range	Method	Code	Description
Alkalinity-m T	0- 300 mg/L CaCO3	Acid / Indicator	216100-17	Compact 3-chamber bromine/ chlorine kit, pH in a bubble pack.
Bromine T	0.2- 13 mg/L Br2	DPD		
Chlorine T	0.1- 6.0 mg/L Cl2	DPD		
CyA T (hydrogen cyanide)	1- 160 mg/L CyA	Melamine		
pH value T	6.5- 8.4 pH	Phenol Red		

Dedicated reagents:

Name of reactant	Measurement range	Packaging	Product code
CyA-Test	1- 160 mg/L CyA	tablets/ 100 pcs.	511370BT
CyA-Test	1- 160 mg/L CyA	250 pcs.	511371BT
Alka-M-Photometer	0- 300 mg/L CaCO3	tablets 100 pcs.	513210BT
Alka-M-Photometer	0- 300 mg/L CaCO3	250 pcs.	513211BT
DPD No. 1	0.2- 13 mg/L Br2	tablets 100 pcs.	511050BT
DPD No. 1	0.2- 13 mg/L Br2	250 pcs.	511051BT
DPD No. 1	0.2- 13 mg/L Br2	500 pcs.	511052BT
Phenol Red Photometer	6.5- 8.4 pH	tablets 100 pcs.	511770BT
Phenol Red Photometer	6.5- 8.4 pH	250 pcs.	511771BT
Phenol Red Photometer	6.5- 8.4 pH	500 pcs.	511772BT
Scuba II add-on set	0.1- 6.0 mg/L Cl2	20 DPD No 1 tablets Photometer 10 DPD No 3 tablets Photometer 10 tablets Phenol Red Photometer 10 CyA Test10 tablets Alka-M-Photometer	525600





Available in 5 options			
	Code	Measuring functions	Reagents
1	2980102	Chlorine, pH, cyanuric acid	Tablets
2	2980152	Chlorine, pH, cyanuric acid	Liquid
3	2980702	Chlorine, pH, cyanuric acid, alkalinity	Tablets
4	2980752	Chlorine, pH, cyanuric acid, alkalinity	Liquid
5	2980902	Chlorine, pH, cyanuric acid, alkalinity, calcium hardness	Tablets



**Waterproof construction**

The IP 68 protection rating ensures that the MD 110 photometer remains waterproof for up to 1 hour at a depth of 0.1 metres. Thanks to its unsinkable design, if the device is dropped into a swimming pool - it floats!

**Measurement accuracy**

The optics of the MD 110 photometer use LEDs and interference filters so that precise results are quickly obtained.

**Calibration mode**

The photometer offers the possibility for the user to calibrate the instrument and, if necessary, restore the factory calibration.

**Zeroing function**

With the MD 110 photometer, there is no need to waste time waiting for the device to zero after each test. When testing a new sample, you only need to zero the device once, and all subsequent tests on that sample do not need to be zeroed again.

**Data storage**

The MD 110 photometer automatically records the last 16 readings with time and date stamping. These results can be transferred to a spreadsheet, e.g. excel.

**Ergonomic design**

Whether the MD 110 photometer is used in the field or in the laboratory, the design of the instrument makes it easy to use and review of measurements. In addition, rubber feet on the underside of the housing ensure a stable position on the work table, so that the instrument can be operated with one hand.

**Factory programming**

All MD 110 photometers are supplied ready to use with up to 14 calibration curves. All you have to do is select the test you need, prepare the sample and Yesé the measurement!

**Accessible interface**

The scrolling menu system allows you to quickly get to the test you need. When the instrument is switched on, it automatically displays last used test.

**Bluetooth® function**

All MD 110 photometers include Bluetooth® functionality. To make full use of it, the manufacturer offers a free app\* for mobile devices and PC software\*\*. Measurement results are transferred to external devices via Bluetooth® for rapid evaluation and processing, so that all data can be evaluated and assigned directly on site. nia automatically displays the last test used.

\*Lovibond® AqualX®

\*\*PC software allows data to be imported directly from the photometer to a Windows PC. The software kit is available as a paid additional option (Code: 2444480).



**1**

Code	Description	Measuring functions	Reagents
2980102	Photometer MD 110	Chlorine, pH, cyanuric acid	Tablets

- The set includes:**
- MD 110 photometer in plastic case With 4 batteries (AAA)
  - 100 DPD No.1 reagents in tablets
  - 100 DPD No.3 Evo reagents in tablets
  - 100 Phenol Red Photometer reagents in tablets
  - 100 CyA-Test reagents in tablets
  - 3 round glass vials with lids and sealing rings sealing rings
  - 1 Mixing rod
  - 1 Brush
  - User manual
  - Handbook of methods
  - Certificate (COC)
  - Warranty information

Measurement range:

Test name	Measurement range	Method
Chlorine HR T	0.1- 10 mg/L Cl <sub>2</sub>	DPD
Chlorine L	0.02- 4.0 mg/L Cl <sub>2</sub>	DPD
Chlorine T	0.01- 6.0 mg/L Cl <sub>2</sub>	DPD
CyA T (hydrogen cyanide)	10- 160 mg/L CyA	Melamine
pH value L	6.5- 8.4 pH	Phenol Red
pH value T	6.5- 8.4 pH	Phenol Red

Dedicated reagents:

**Scan the code**

To check the dedicated reagents, scan the QR code with your phone and then go to the tab.

**SUITABLE REAGENTS**



**2**

Code	Description	Measuring functions	Reagents
2980152	Fotometr MD 110	Chlorine, pH, cyanuric acid	Liquid

- The set includes:**
- MD 110 photometer in plastic case
  - With 4 batteries (AAA)
  - DPD 1 buffer solution
  - DPD 1 reagent solution
  - DPD 3 solution
  - Phenol red solution
  - 100 CyA-Test reagent tablets
  - 3 round vials (glass) with lids and sealing rings sealing rings
  - 1 Agitator
  - 1 Brush
  - User manual
  - Handbook of methods
  - Certificate (COC)
  - Warranty information

Measurement range:

Test name	Measurement range	Method
Chlorine HR T	0.1- 10 mg/L Cl <sub>2</sub>	DPD
Chlorine L	0.02- 4.0 mg/L Cl <sub>2</sub>	DPD
Chlorine T	0.01- 6.0 mg/L Cl <sub>2</sub>	DPD
CyA T (hydrogen cyanide)	10- 160 mg/L CyA	Melamine
pH value L	6.5- 8.4 pH	Phenol Red
pH value T	6.5- 8.4 pH	Phenol Red

Dedicated reagents:

**Scan the code**

To check the dedicated reagents, scan the QR code with your phone and then go to the tab.

**SUITABLE REAGENTS**



3

Code	Description	Measuring functions	Reagents
2980702	Fotometr MD 110	Chlorine, pH, cyanuric acid, alkalinity	Tablets



#### The set includes:

- MD 110 photometer in plastic case  
With 4 batteries (AAA)
- 100 DPD No.1 reagents in tablets
- 100 DPD No.3 reagents Evo in tablets
- 100 Phenol Red Photometer reagents in tablets
- 100 CyA-Test reagents in tablets
- 100 Alka-M Photometer reagents in tablets
- 3 round glass vials with lids and sealing rings
- 1 Mixing rod
- 1 Brush
- 1 syringe (5ml)
- User manual
- Handbook of methods
- Certificate (COC)
- Warranty information

Measurement range:

Test name	Measurement range	Method
Alkalinity m-T	5- 200 mg/L CaCO <sub>3</sub>	Acid / Indicator
Chlorine HR T	0.1- 10 mg/L Cl <sub>2</sub>	DPD
Chlorine L	0.02- 4.0 mg/L Cl <sub>2</sub>	DPD
Chlorine T	0.01- 6.0 mg/L Cl <sub>2</sub>	DPD
CyA T (hydrogen cyanide)	10- 160 mg/L CyA	Melamine
PH value L	6.5- 8.4 pH	Phenol Red
PH value T	6.5- 8.4 pH	Phenol Red

Dedicated reagents:

#### Scan the code

To check the dedicated reagents, scan the QR code with your phone and then go to the tab.

**SUITABLE REAGENTS**



5

Code	Description	Measuring functions	Reagents
2980902	Fotometr MD 110	Chlorine, pH, cyanuric acid, alkalinity, calcium hardness	Tablets



#### The set includes:

- MD 110 photometer in plastic case
- With 4 batteries (AAA)
- 100 DPD No.1 reagents in tablets
- 100 DPD No.3 reagents Evo in tablets
- 100 Phenol Red Photometer reagents in tablets
- 100 CyA-Test reagents in tablets
- 100 Alka-M Photometer reagents in tablets
- 100 Calcio-H No.1 reagents in tablets
- 100 Calcio-H No.2 reagents in tablets
- 3 round glass vials with lids and sealing rings
- 1 Mixing rod
- 1 Brush
- 1 syringe (5ml)
- User manual
- Handbook of methods
- Certificate (COC)
- Warranty information

Measurement range:

Test name	Measurement range	Method
Alkalinity m-T	5- 200 mg/L CaCO <sub>3</sub>	Acid / Indicator
Brom T	0.05- 13 mg/L Br <sub>2</sub>	DPD
Chlorine HR T	0.1- 10 mg/L Cl <sub>2</sub>	DPD
Chlorine L	0.02- 4.0 mg/L Cl <sub>2</sub>	DPD
Chlorine T	0.01- 6.0 mg/L Cl <sub>2</sub>	DPD
CyA T (hydrogen cyanide)	10- 160 mg/L CyA	Melamine
Hardness Calcium (B) T	20- 500 mg/L CaCO <sub>3</sub>	Mureksyd
PH value L	6.5- 8.4 pH	Phenol Red
PH value T	6.5- 8.4 pH	Phenol Red

Dedicated reagents:

#### Scan the code

To check the dedicated reagents, scan the QR code with your phone and then go to the tab.

**SUITABLE REAGENTS**



4

Code	Description	Measuring functions	Reagents
2980752	Fotometr MD 110	Chlorine, pH, cyanuric acid, alkalinity	Liquid

#### The set includes:

- MD 110 photometer in plastic case
- With 4 batteries (AAA)
- DPD 1 buffer solution
- DPD 1 reagent solution
- DPD 3 solution
- Phenol red solution
- 100 CyA-Test reagent tablets
- 100 tablets of reagents Photometer Alka-M
- 3 round vials (glass) with lids and sealing rings
- 1 Agitator
- 1 Brush
- 1 Syringe (5 ml)
- User manual
- Handbook of methods
- Certificate (COC)
- Warranty information

Measurement range:

Test name	Measurement range	Method
Alkalinity m-T	5- 200 mg/L CaCO <sub>3</sub>	Acid / Indicator
Chlorine HR T	0.1- 10 mg/L Cl <sub>2</sub>	DPD
Chlorine L	0.02- 4.0 mg/L Cl <sub>2</sub>	DPD
Chlorine T	0.01- 6.0 mg/L Cl <sub>2</sub>	DPD
CyA T (hydrogen cyanide)	10- 160 mg/L CyA	Melamine

Dedicated reagents:

#### Scan the code

To check the dedicated reagents, scan the QR code with your phone and then go to the tab.

**SUITABLE REAGENTS**



## Fotometr MD 200

Chlorine, pH, Reagents in tablets



### Versatile

The MD 200 photometer can be used in almost all areas of water analysis.

### Precise and maintenance-free

The precision optical system, which uses high-quality interference filters in addition to long-lasting stable LEDs as light sources, ensures precise and reproducible measurement results. Furthermore, the combination of these elements makes the photometer easy to maintain.

### User-friendly

The device convinces with its ease of use, ergonomic design and compact dimensions, which makes handling easy and safe.

### Reagents

Use Lovibond® stable tablets (guaranteed minimum shelf life 5-10 years) or Lovibond® liquid Reagents.

### Advantages:

- Scroll memory
- Automatic switch-off
- Real-time clock and date
- Calibration mode indicator
- Compact dimensions 110 x 55 x 190 mm

### The set includes:

- MD 200 photometer in plastic case with 4 batteries (AA)
- 100 DPD No.1 reagents in tablets
- 100 DPD No.3 reagents Evo in tablets
- 100 Phenol Red Photometer reagents in tablets
- 3 round vials with lids
- Sealing rings
- 1 mixing rod
- 1 brush
- User manual
- Handbook of methods
- Certificate (COC)
- Warranty information



Measurement range:

Test name	Measurement range	Method	Code	Description
Chlorine HR T	0.1- 10 mg/L Cl <sub>2</sub>	DPD	2889402	MD 200 photometer
Chlorine L	0.02- 4.0 mg/L Cl <sub>2</sub>	DPD		
Chlorine T	0.01- 6.0 mg/L Cl <sub>2</sub>	DPD		
PH value L	6.5- 8.4 pH	Phenol Red		
PH value T	6.5- 8.4 pH	Phenol Red		

Dedicated reagents:

### Scan the code

To check the dedicated reagents, Scan the QR code with your phone and then go to **SUITABLE REAGENTS**



## PM 600 series photometers

For the most demanding pool maintainers



### Large memory

The PM 600 series photometers store up to 1,000 data sets.

### Modern technology

Data transfer uses infrared technology (PM 600 / PM 620) or Bluetooth® (PM 630) - depending on the model. The PM 600 and PM 620 photometers can be connected to a PC via a module, while the PM 630 can be connected with the AqualX® application via Bluetooth®.

### All important parameters

The photometers measure all major water parameters from A(alkalinity-m) to H(hydrogen peroxide). Number of test methods for each model:

PM 600	13 parameters
PM620	36 parameters
PM630	35 parameters

Code	Description
214060	Photometer PM 600
214065	Photometer PM 620
214070	Photometer PM 630

### Illuminated display

The photometers are equipped with an illuminated display so that measurements can also be taken in the dark.

### Flexibility

The PM 600 series of photometers can use all types of reagents available: tablets, liquid indicators or powder.

### The set includes:

- MP 600 photometer in plastic case with 4 batteries (AA)
- 3 vials with a diameter of 24 mm
- Plastic beaker 100 ml
- Mixing rod
- Brush
- Syringe
- Reagents for the determination of chlorine (free, combined, total), pH value, calcium hardness, alkalinity-M
- User manual
- Certificate (COC) and warranty information



Dedicated reagents:

### Scan the code

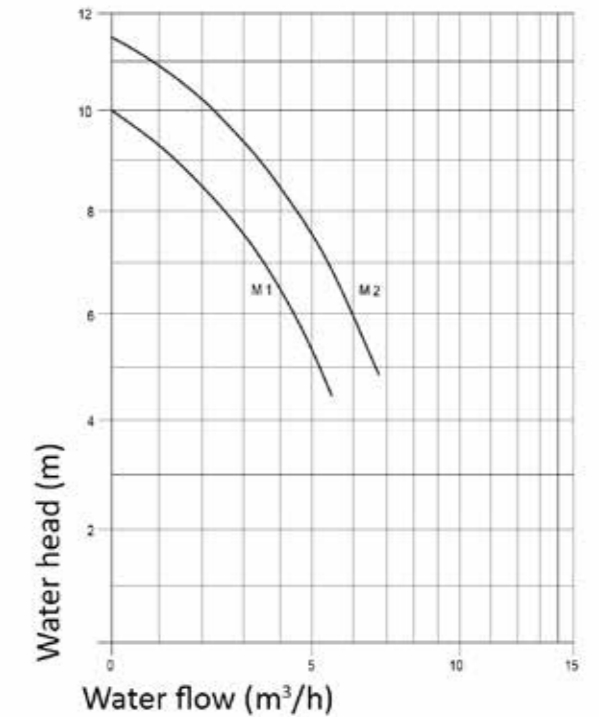
To check the dedicated reagents, scan the QR code with your phone and then go to **SUITABLE REAGENTS**



## WATER METERING PUMPS

### Water metering pumps

Self-priming water metering pumps are measuring pumps for water analysis in public swimming pools. They have been developed with corrosion-resistant materials for the continuous analysis of pool water.



Code	Description	Voltage	Output power P <sub>2</sub>
C 219.1040.838	M1	1 ~ 230V	0.18 kW
C 219.1060.838	M2	1 ~ 230V	0.25 kW



For private pools

**EXCLUSIVE model**

Microprocessor-enabled automat, provides Measuring, control and dosing of pH and chlorine via Redox, with integrated salt electrolysis and intelligent dosing time adjustment. Menu available in Polish, German, English, Russian.



PH | Chlorine | SALT

Code	Description
49207	EXCLUSIVE
39318*	Wi-Fi module (optional)

\*for Exclusive and Professional stations

**BASIC EXACT PH model**

Automatic microprocessor for pH measurement, control and dosing. Menu available in Polish, German, English, Russian, Dutch, French, Italian.



PH

Code	Description
47604	BASIC EXACT PH

Included in the set:

- hose dosing pump 1.6 l/h
- pH electrode and accessories

**BASIC EXACT PH/RX model**

Automatic microprocessor for measuring, controlling and dosing pH and Redox. Menu available in: Polish, German, English, Russian, Dutch, French, Italian.



PH | Chlorine

Code	Description
47605	BASIC EXACT PH

Included in the set:

- hose dosing pump 1.6 l/h
- pH/Redox electrode and accessories

**BASIC EXACT PH/RX SALT model**

Microprocessor-based automat for measuring, controlling and dosing pH and controlling salt electrolysis systems or bromine sluices. Connection up to 1000W/230V. Menu available in Polish, German, English, Russian, Dutch, French, Italian.



PH | Chlorine | SALT

Code	Description
47606	BASIC EXACT PH/RX SALT

Included in the set:

- hose dosing pump 1.6 l/h
- special pH/Redox electrode and accessories

**DELUXE CL2 model**

Microprocessor-based automat for measuring, controlling and dosing pH and Redox. It has an intelligent system for setting dosing time limits. Menu available in Polish, German, English, Spanish, Russian.

Included in the set:

- hose dosing pump 1.6 l/h
- pH/Redox electrode and accessories
- two chemical canisters
- two suction lances with level switch



PH | Chlorine

Code	Description
49201P	DELUXE CL2
48210	Flow sensor (optional)

**DELUXE CL2 SALT model**

Microprocessor-based automat for measuring, controlling and dosing pH and controlling salt electrolysis systems or bromine sluices. Connection up to 1000W/230V. Menu available in German, English, French, Italian, Dutch.

Included in the set:

- hose dosing pump 1.6 l/h
- special pH/Redox electrode and accessories
- chemical canister tray
- suction lance with level switch



PH | Chlorine | SALT

Code	Description
49201S	DELUXE CL2 SALT
48210	Flow sensor (optional)

**DELUXE SL3 model**

Microprocessor-based automatic unit for Measuring, controlling and dosing pH and active oxygen dosing. The unit has an intelligent dosing time limit setting. Menu available in German, English, French, Italian, Dutch.

Included in the set:

- hose dosing pump 1.6 l/h
- pH electrode and accessories
- two chemical canister trays
- two suction lances with level switch



PH | Active oxygen

Code	Description
49200E	DELUXE SL3
48210	Flow sensor (optional)

**Model DELUXE CL2 WIFI**

Microprocessor-based automatic instrument for measuring, controlling and dosing pH and Redox. The unit has an intelligent dosing time limit setting, illuminated measuring cell and WiFi module. Menu available in Polish, German, English and Russian.

Included in the set:

- WiFi module
- flow display
- measuring cell
- hose dosing pump 1.6 l/h
- pH/Redox electrode and accessories
- two chemical canister trays
- two suction lances with level switch



PH | Chlorine

Code	Description
473153S	DELUXE CL2 WIFI without sensor
473153D	DELUXE CL2 WIFI with sensor
48210	Flow sensor (optional)

**DELUXE CL2 SALT WIFI model**

Microprocessor-based automat for measuring, controlling and dosing pH and controlling salt electrolysis systems or bromine sluices. Connection up to 1000W/230V. The unit has an intelligent dosing time limit setting, an illuminated measuring cell and WiFi module. Menu available in languages: Polish, German, English, Russian.

Included in the set:

- WiFi module
- flow display
- measuring cell
- hose dosing pump 1.6 l/h
- special pH/Redox electrode and accessories
- chemical canister tray
- suction lance with level switch



**PH | Chlorine | SALT**

Code	Description
473156S	DELUXE CL2 SALT WIFI without flow sensor
473156d	DELUXE CL2 SALT WIFI with flow sensor

**Model DELUXE SL3 WIFI**

Microprocessor-based automatic unit for measuring, controlling and dosing pH and dispensing active oxygen. The unit has intelligent dosing time limit setting, illuminated acrylic cell and WiFi module. Menu available in languages: Polish, German, English, Russian.

Included in the set:

- WiFi module
- flow display
- measuring cell
- hose dosing pump 1.6 l/h
- pH electrode and accessories
- two chemical canister trays
- two suction lances with level switch



**PH | Active oxygen**

Code	Description
473150S	DELUXE SL3 WIFI without flow sensor
473150D	DELUXE SL3 WIFI with flow sensor

**Model PROFESSIONAL PH/CL**

Microprocessor-based automatic unit for measuring, controlling and dosing pH and Chlorine concentration. The unit has an intelligent dosing time limit setting, a measuring cell and a water measuring filter. Menu available in languages: Polish, German, English, Russian.

Included in the set:

- measuring cell
- peristaltic metering pump 2.4 l/h
- pH/Cl electrode and accessories
- two chemical canister trays
- two suction lances with level switch



**PH | Chlorine**

Code	Description
49202*	PROFESSIONAL PH/CL

\*for Exclusive and Professional stations

**Model PROFESSIONAL PH/CL/RX**

Microprocessor-based automatic control and dosing unit according to DIN19643 for measuring and regulating pH and chlorine with effective Redox recording. The unit has an intelligent dosing time limit setting, measuring cell and water measurement filter. Menu available in Polish, German, English, Russian.

Included in the set:

- measuring cell
- peristaltic metering pump 2.4 l/h, 3/6/9/12 l/h
- pH/Redox/Cl electrode and accessories
- two chemical canister trays
- two suction lances with level switch



**PH | Chlorine**

Code	Description
49203*	PROFESSIONAL PH/CL/RX
49204	Pompa MAXI

\*for Exclusive and Professional stations

**FLOCK BASIC**

Dosing station for even and continuous dosing of flocculant. Infinitely adjustable from 8 ml/h to 80 ml/h.



**Code**

20504

**Storage tray for liquid chemical canisters - made of white ABS, with sloping base**

- suitable for 25-30 litre canisters



**Code**

205525

## SPARE PARTS FOR AQUACONTROL DOSING STATIONS

### 120mm electrodes



Code	Description
20101	pH electrode
20301	Rx electrode

### Spare parts for the metering pump



Code	Description
2023583	Rear metering pump housing, black
2023581	Dosing pump reel 2.4l/h



Code	Description
701005	Dosing pump hose
2023586	Front cover of the metering pump

### PH / REDOX-COMPACT - for private pools and swimming ponds

In order to ensure that the water quality in a swimming pool is high, a properly functioning self-monitoring and dosing system must be selected. Werner Dosiertechnik products ensure safe and reliable measurement and dosing in both private and public pools.

Single-channel automat with integrated dosing pump for pH or Redox control. Measuring, controlling and dosing device for pH value or Redox.

#### Product information:

- 7-segment red LED display
- Simple 3-button operation
- Direct control of the metering pump
- Checking the filling of the canisters
- Alarm relay with potential-free changeover contact

#### Accessories included:

- Buffer solution pH7, pH4 respectively 468 mV
- Electrode cleaner
- 2 ½" saddle clamps
- Dosing valve ¾" and dosing pipe 3m PE 4 x 1
- Suction lance with empty switch
- Adapter ½" - ¾" for metering valve
- Adapter ½" - PG 13.5 for electrode



#### Technical data

Electricity supply	230 V/AC 50 Hz
Power supply	6W
Maximum charging frequency	100 mA
Dimensions	W 16 cm x H 15 cm x D 12 cm
Weight	1.5 kg
Dosing capacity	max. 1.2 l/ h

Code	Description
24132	pH-COMPACT
25292	Redox (mV) COMPACT

## POOLKLAR TOUCH XL-V3 - measurement, control, dosing. for private pools

### Product information:

- 7" colour touchscreen display shows current data
- Two integrated hose dosing pumps
- Faults and alarms are indicated by simple icons
- The device monitors the filling level of the canisters
- Alarm relay with potential-free changeover contact
- MENU operating languages: German, English, French and Swedish

### The new V3 version offers additional capabilities:

- Recording of measured values
- Calibration recording
- Remote access via web-enabled devices (e.g. smartphone, tablet)
- New control direction: Increasing pH
- Temperature measurement to one decimal place
- Regulation Phenol Red

### Accessories included:

- 10 m PE measuring pipe 6 x 1
- 7 m PTFE metering pipe 6 x 1
- Buffer solutions pH7, pH4, Redox 468 mV
- Electrode cleaner, distilled water
- Cleaning beads and sealing kit
- PVC ball valves 1/2" with immersion tube 2 pcs.
- Mounting for wall mounting
- Protective cover



PH | Redox

### Technical data

Electricity supply	230 V/AC 50 Hz
Power supply	8W
Maximum charging frequency	100 mA
Dimensions	W 48 cm x H 67 cm x D 17 cm
Weight	approx. 11 kg
Dosing capacity (disinfection)	max. 1.2 l/ h
Dosing capacity (pH correction)	approx. 0.7 l/ h

Code	Description
26936	POOLKLAR Touch XL- V3 (pH, Redox, temperature)
26938	POOLKLAR Touch XL- V3 – O2 (Active oxygen, temperature)

## CPR TOUCH XL-2S - measurement, control, dosing. for public swimming pools

### Product information:

- 7" colour touchscreen display shows current data
- Two integrated hose dosing pumps
- Faults and alarms are indicated by simple icons
- The device monitors the filling level of the canisters
- Alarm relay with potential-free changeover contact
- Data logging: measured values and event memory
- MENU operating languages: German, English

### free chlorine | pH | redox | temperature

### Accessories included:

- 10 m PE measuring pipe 6 x 1
- 7 m PTFE metering pipe 6 x 1
- Buffer solutions pH7, pH4, Redox 468 mV
- Electrode cleaner, distilled water
- Cleaning beads and sealing kit
- PVC ball valves 1/2" with immersion tube 2 pcs.
- Mounting for wall mounting
- Protective cover



### Technical data

Electricity supply	230 V/AC 50 Hz
Power supply	0.39 kW
Dimens	W 80 cm x H 130 cm x D 60 cm
Weight	approx. 40kg
Dosing capacity chlorine	0,1- 2 kg / h
Acid dosing capacity	1l / h
Minimum initial pressure	0.2 bar
Maximum back pressure	1,2 bar

Code	Description
24648-1	CPR Touch XL-2S
25229	Remote touch display 10"



## GRANUDOS 10-CPR TOUCH XL - for public swimming pools

Automatic dosing machine for calcium hypochlorite granulate, acid and flocculant simultaneously. With CPR Touch XL technology, it provides measurement and control of free Chlorine, pH, Redox and temperature values.

### Product information:

Chlorine is dosed directly from an integrated hopper, while acid is dosed from a delivery canister. Chlorine granules and acid are dosed alternately with intervals in the release device. The dosed chemical is completely dissolved, sucked up by the injector system and fed as acid into the pool water. Dosing is directly controlled by the integrated with the Granudos by the CPR TOUCH XL measurement and control technology (see previous pages). The GRANUDOS booster pump also acts as a metering pump. The water is recirculated through the dissolution system.



### Technical data

Electricity supply	230 V/AC 50Hz
Power supply	0,39 kW
Touchscreen	7"
Device dimensions H x W x D	70 cm x 50 cm x 125 cm
Weight	approx. 40kg
Dosing capacity chlorine	approx. 0,6-2 kg/h
Acid dosing capacity	approx. 1 l/h

Code	Description
24660	GRANUDOS 10-CPR TOUCH XL



## WATERFRIEND OXYGEN (MRD-1)

- The 'WATERFRIEND oxygen' dosing unit includes a graphic monitor with user-friendly menu navigation.
- The dosing unit, including the control system, pH sensor, flow fittings, dirt filter and dosing pumps, is housed in a plastic housing for wall mounting.
- Scope of delivery includes pH sensor (combination electrode), 1 flow meter, 2 metering pumps, 2 suction lances, 2 injection valves, 2 buffer solutions, 10 m metering water hose, 10 m metering hose, 2 metering water points, 1 measuring cup, connecting and fixing material.
- A colour-changing RGB light visualises service intervals and error messages.
- The high-quality, high-performance dosing pumps are driven by stepper motors with variable speed control. This means that the dosing quantity can be set between 0 and 10 litres per hour. This intelligent speed control allows versatile application for different pool sizes, water temperatures and pool user profiles or whirlpool equipment.



Code
310.000.0880

## WATERFRIEND OXYGEN (MRD-1) with internet access

The 'WATERFRIEND' oxygen meter includes a graphical monitor with user-friendly menu navigation, a web server and an e-mail function. This future-oriented technology allows access to the dosing unit via the internet, computer or smartphone. The dosing unit, including the control system, pH sensor, flow fittings, dirt filter and dosing pumps, is housed in a wall-mounted plastic housing.

### The scope of supply includes:

- pH sensor (combination electrode), 1 flow meter, 2 metering pumps, 2 suction lances, 2 injection valves, 2 buffer solutions, 10 m metering water hose, 10 m metering hose, 2 metering water points, 1 measuring cup, connecting and fixing material.

A colour-changing RGB light visualises service intervals and error messages. The high-quality, high-performance dosing pumps are driven by stepper motors with variable speed control. This means that the dosing quantity can be set between 0 and 10 litres per hour. This intelligent speed control enables versatile applications and adaptation to different pool sizes, water temperatures and pool user profiles or whirlpool equipment.



### Code

310.000.0870

## REDOX do MRD-1

- Set for expanding the MRD-1 with a REDOX measurement function



### Code

310.000.0881

## WATERFRIEND exclusiv (MRD-2)

The 'WATERFRIEND' exclusiv system provides the latest technology for automatic water quality control. Several microprocessors are responsible for controlling the various parameters. In addition, they monitor each other, thus ensuring optimum reliability and operational safety. A coloured LED indicates the calibration status.

### Standard delivery includes:

- control unit with large LCD display (multiple language support)
- 2 metering pumps (max. 10 l/h) with variable-speed motors
- 2 electrodes with osf amplifiers
- high-quality flow rate regulator
- 2 Teflon injectors
- illuminated flow cell (transparent) with colour calibration indication
- 2 suction lances with float switch
- 3 different buffer solutions (50 ml)
- tubes on the test water side and on the dosing side, 10 m each
- 2 taps for Yesing test water
- fittings and small parts

The high-performance metering pumps are driven by special speed-controlled motors. It is possible to adjust the flow rate from 0 to 10 litres per hour. This intelligent speed control allows the system to be flexibly adapted to pools of different sizes, water temperatures and user profiles. The unit is equipped as standard with an RS-485 interface for connection to the osf-bus system and to our Pool-Control-TOUCH controllers. In this connection, remote monitoring of the 'WATERFRIEND' exclusiv system can be done via a computer network, mobile phone or WLAN.



### Code

310.000.0810

## WATERFRIEND exclusiv (MRD-2) z dostępem do internetu

The 'WATERFRIEND' exclusiv system provides the latest technology for automatic water quality control. Several microprocessors are responsible for controlling the various parameters. In addition, they monitor each other, thus ensuring optimum reliability and operational safety. A coloured LED indicates the calibration status.

### Standard delivery includes:

- control unit with large LCD display (multiple language support)
- 2 metering pumps (max. 10 l/h) with variable-speed motors
- 2 electrodes with osf amplifiers
- high-quality flow rate regulator
- 2 Teflon injectors
- illuminated flow cell (transparent) with colour calibration indication
- 2 suction lances with float switch
- 3 different buffer solutions (50 ml)
- tubes on the test water side and on the dosing side, 10 m each
- 2 taps for Yesing test water
- fittings and small parts

The high-performance metering pumps are driven by special speed-controlled motors. It is possible to adjust the flow rate from 0 to 10 litres per hour. This intelligent speed control allows the system to be flexibly adapted to pools of different sizes, water temperatures and user profiles. The unit is equipped as standard with an RS-485 interface for connection to the osf-bus system and to our Pool-Control-TOUCH controllers. In this connection, remote monitoring of the 'WATERFRIEND' exclusiv system can be done via a computer network, mobile phone or WLAN.



### Code

310.000.0820

## WATERFRIEND exclusiv (MRD-3)

- WATERFRIEND exclusiv with 3 metering pumps

### Code

310.000.0840



## WATERFRIEND exclusiv (MRD-3) with internet access

The WATERFRIEND exclusiv Chlorine MRD-3 system is a new improved version of the successful WATERFRIEND exclusiv MRD-2. It features a large colour touchscreen with a convenient graphical user interface and an integrated web server. This innovative technology enables remote access via the internet, a computer network or a smartphone.

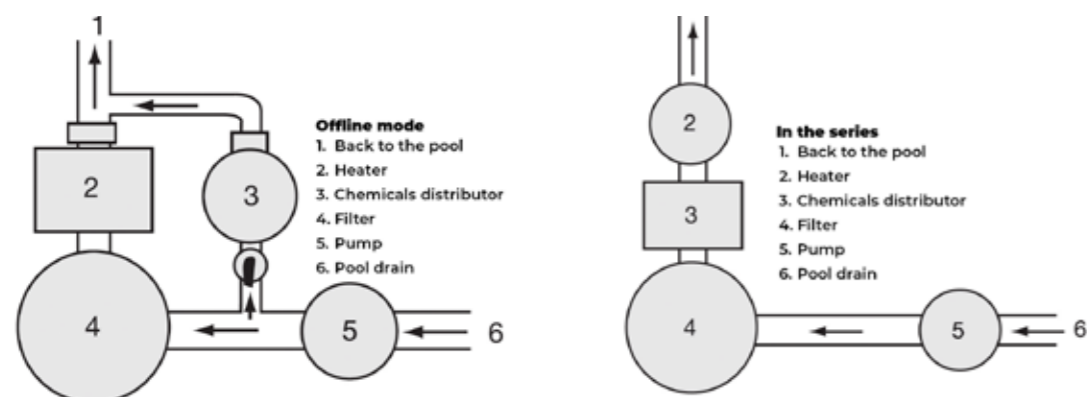
### Standard delivery includes:

- MRD-3 control unit (plastic housing, wall mounting)
- Chlorine level control sensor (amperometric)
- 2 electrodes with OSF amplifiers with RGB colour light indicator
- 1 water flow meter
- 3 metering pumps (max. 10 l/h) with variable-speed motors
- 3 suction lances with float switch
- illuminated flow cell (transparent) with colour-coded calibration
- 2 Teflon injectors
- 3 different buffer solutions (50 ml)
- test water pipe and dosing pipe of 10 m each
- 2 taps for Yesing test water
- measure
- fittings and small parts



### Code

310.000.0860



Capacity from 2.5kg to 4kg

Description	Capacity	Dimensions	Max. pool volume	Code
Chlorine manifold in series (for 1 1/2" connection)	2.5 kg	206 x 390mm	95m <sup>3</sup>	CL0100EURO
Chlorine manifold in series (for 1 1/2" connection)	4 kg	290 x 390mm	150m <sup>3</sup>	CL0200EURO
Chlorine distributor in circulation	2.5 kg	170 x 356mm	95m <sup>3</sup>	CL0110EURO
Chlorine distributor in circulation	4 kg	200 x 400mm	150m <sup>3</sup>	CL220EURO
Bromine distributor in circulation	2.5 kg	170 x 356mm	27m <sup>3</sup>	CL0110BREURO
Bromine distributor in circulation	4 kg	200 x 400mm	43m <sup>3</sup>	CL0220BREURO

Larger capacities from 7kg to 14kg

Description	C C0250EXPE*	C C0500EXPE*
Capacity	7 kg	14kg
∅ connection	3/4"	3/4"
Dimensions	445 x 267 mm	700 x 267mm
Maximum dissolution rate of chlorine	700g/h	800g/h
Maximum chlorine capacity of the pool	265m <sup>3</sup>	530m <sup>3</sup>
Maximum dissolution rate of bromine	35m/h	50g/h
Maximum bromine capacity of the pool	75m <sup>3</sup>	150m <sup>3</sup>

\*Connections included

## AquaRite® Flo

Chlorineator soli

### Product information:

- Salt chlorinator with a wide range of chlorine production of 8, 16, 22, 33 and 50gr/h/cl
- LED display
- Transparent housing for checking salt levels
- Detection of pool cover to adjust chlorine production
- Optional flow detector kit
- 9 possible levels of chlorine production
- Salt & Swim 2.0 J-OPTION-FLOW flow switch included



### Additional equipment:



Pool pH Pool Rx Socket



Description	AQR-FLO-8	AQR-FLO-16	AQR-FLO-22	AQR-FLO-33	AQR-FLO-50
Production	8 g/h	16 g/h	22 g/h	33 g/h	50 g/h
Chlorine production	9 levels				
Max. pool size	30 m <sup>3</sup>	75 m <sup>3</sup>	100 m <sup>3</sup>	150 m <sup>3</sup>	200 m <sup>3</sup>
Salt concentration	od 3 do 100 g/L				
Display	LED				
Protection	IP 65				
Superchlorination mode	Yes	Yes	Yes	Yes	Yes
Manual adjustment of Cl (%)	Yes	Yes	Yes	Yes	Yes
Gas detection function	Yes	Yes	Yes	Yes	No
Pool cover detection function	Yes	Yes	Yes	Yes	Yes
Detection function of a closed pool cover	Yes	Yes	Yes	Yes	Yes
Dimensions	400 x 400 x 210 mm				
Alarm	salt level / flow rate				
Flow switch	J-OPTION-FLOW				Yes

## AquaRite® + SV

### Hayward® electrolysis systems

No more red eyes and itchy skin. The innovative pool water treatment device meets the highest demands. The principle of water disinfection is based on the replacement of ordinary table salt with free chlorine, which prevents the growth of algae and micro-organisms in the pool water.

#### Product information:

- A single device combining the function of a chlorinator and a pool controller: it can control the operation of the filter pump, heat pump, lighting, etc.
- Possibility to control water parameters (e.g. pH value, temperature, chlorine level) remotely - at a location with WiFi access (optional extra, not included)
- The available Hayward® Poolwatch app allows remote management of the unit
- Transparent cell allows visual inspection of production
- Salinity detection in g/l water, accuracy +/- 10%
- Salt concentration of 3 - 100 grams NaCl
- Clear 2.8" display and gas sensor included
- 2-year manufacturer's warranty
- pH probe included

#### Technical data

Code	Description
AQR-LT-KITORP	ORP measurement probe set (REDOX)
H-OPTION-CL	Probe for measuring free chlorine
AQR-PLUS-WIFI2	WiFi module
CTS-OPTION-TS	Touchscreen

Free remote management application via optional Wi-Fi module



	A AQR-PLUS-SV16ST	A AQR-PLUS-SV22ST	A AQR-PLUS-SV33ST	A AQR-PLUS-SV50ST
Maximum chlorine production / hour [g].	16	22	33	50
Recommended pool volume [m3]	65	110	200	300
Output power [A]	8-15	8-20	10-15	35-45
Current consumption [W]	120	160	150	360
Main control outputs	filtration time / illumination / temperature			
Additional control outputs	4 additional outputs to be configured by the user as required			
Power supply	220 V 50/60 Hz			
Front casing	white ABS			
Electronic box cover	black ABS: fire-resistant			
Device dimensions [mm]	270 x 220 x 115			

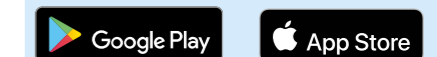
## CONTROL STATION - complete solution

### Product information:

- A single device combining the function of remote control and control of other devices
- Posiada 4 przełączniki pomocnicze do sterowania i zarządzania cyklami filtracji, regulacją temperatury, oświetlenia, a także wyposażeniem dodatkowym (oświetlenie, atrakcje wodne, itp)
- Two dosing pumps for pH control and liquid chlorine included
- WiFi module included: ability to control water parameters from a location with internet access
- 2-year manufacturer's warranty



Free remote management application via optional Wi-Fi module



#### Technical data

Power supply	230 V 50Hz
pH control	Yes (sonda Goldline)
ORP control (REDOX)	Yes (sonda Goldline)
Front casing	ABS black
Electronic box cover	ABS black: fireproof
Device dimensions [mm]	270 x 220 x 115

Code	Description
CST-CTL-PHORP	Control Station
CTS-OPTION-TS	Touchscreen

**Lampa UV-C - for swimming pools and ponds**

PURIQ Bright Series UV-C lamps are designed for any new or existing pool and can be connected in series if required. They use very powerful UV-C light, which kills viruses, algae and moulds as well as chemically resistant bacteria. The lifetime of the radiation is 12,000 hours. The lamp provides timely notification of the need to replace the filament with a new one by an advanced electronic system. PURIQ lamps provide optimum, environmentally friendly disinfection, so that the use of chlorine and other agents can be reduced by up to 80%.

**THE MANUFACTURER DOES NOT RECOMMEND THE USE OF SALT WATER LAMPS**

**We recommend 1 watt per m<sup>3</sup> of pool volume!**



**Lampa Tech UV-C 4ALL - for salt and chlorinated water**

The Tech UV-C 4ALL lamp, is the ideal solution for both saltwater pools (electrolysis) and for chlorinated pools with limited space that require large volumes of water.

Very effective in disinfection. It has a compact and robust DUPLEX stainless steel housing with high corrosion resistance. The Tech UV-C 4ALL lamp, is easy to install. It has up to 35% higher UV-C radiation output due to the reflection of light through the interior of the DUPLEX housing.

Code	Description
BD02752	TECH UV-C lamp 75W



Technical data

	BRIGHT 40	BRIGHT 80	BRIGHT 120
Maximum pool volume	40 m <sup>3</sup>	80 m <sup>3</sup>	120m <sup>3</sup>
Power	41 W	80 W	125 W
Lifespan	12000h	12000h	12000h
UV-C output	16 W	27 W	42 W
Flow	12 m <sup>3</sup> /h	18m <sup>3</sup> /h	22m <sup>3</sup> /h
Strait max	3 bar	3 bar	3 bar
Connection	Ø 63 mm	Ø 63 mm	Ø 63mm
Overall length	950 mm	950 mm	950mm
Diameter	Ø 89 mm	Ø 89 mm	Ø89 mm

**Lampa Tech UV-C**

Due to its compact size, Blue Lagoon Tech is the ideal solution for all filtration installations where space is limited but high disinfection efficiency is required. The Blue Lagoon Tech UV-C action will ensure that the water in your pool is disinfected in an effective and environmentally friendly way. UV-C radiation inactivates bacteria, viruses and other micro-organisms and stops them from multiplying.

This device is able to reduce chlorine concentrations by up to 50-80%! With the Blue Lagoon TechUV-C, your pool water will be disinfected effectively and safely, and its quality will remain excellent. The TechUV-C 16W, 40W and 75W are equipped with a special T5 UV lamp with a unique socket.



Spare parts

Code	Description
8030815	PURIQ bright 40
8030816	PURIQ bright 80
8030817	PURIQ bright 120

Code	Description
8030810	Quartz housing
8030905	Filament 40 W
8030906	Filament 80 W
8030907	Filament 120 W Amalgam

Code	Description
BE02162	TECH UV-C 16W lamp
BE02402	TECH UV-C 40W lamp
BE03132	TECH UV-C 130W lamp

**Product information:**

- Built-in electronic ballast provides efficient and stable power supply
- Up to 35% more UV-C efficiency as a result of reflection through the stainless steel reactor
- 316L stainless steel housing
- Includes adapters Ø 63mm to Ø 50mm, 1 1/2' female thread
- Manufactured in the Netherlands

## TABLET SALT FOR WATER TREATMENT SYSTEMS

POLNARIO

NOT FOR SALE ON THE INTERNET

## HIGH-QUALITY SWIMMING POOL CHEMICALS PH CORRECTION - THE PROFESSIONAL RECIPE FOR HYGIENIC WATER

POLNARIO  
PREMIUM  
PRODUCTS

### Product information:

- chemical name: sodium chloride - NaCl
- round tablets, white
- packaging: 25 kg polythene bags
- contains no ingredients of animal origin
- does not contain genetically modified organisms
- hypoallergenic tablets - allergen-free composition
- production without ionising radiation
- the product meets the requirements in accordance with PN-EN 14805:2008 and PN-EN 973:2009

### Area of application:

- water treatment plants
- water softeners
- chlorinators

### NOTE!

Protect from damp and/or wet. Hygroscopic product! Store in dry and clean rooms with humidity below 75%.



Code	Description
------	-------------



### pH-minus granulate

Powder formulation for lowering the pH value in swimming pool water. Dissolved it is suitable for both manual and automatic dosing in measuring and dosing devices.

Code	Description
10-10-001	1 kg
10-10-005	5 kg

### pH-minus liquid

Liquid agent for lowering the pH value in swimming pool water by automatic dosing. Contains approx. 50% sulphuric acid. 10 kg pH minus 50% corresponds to 12.5 kg pH minus with a concentration of 40% or 15 kg HCL (hydrochloric acid).

Code	Description
10-30-001	1 kg ≈ 0,7 l
10-30-005	5 kg ≈ 3,57 l
10-30-025	25 kg ≈ 17,85 l
10-30-035	35 kg ≈ 25 l

## WATER SOFTENERS

BWT



Code	Description
PS10	BWT PERLA Silk S- 10 litres bed
PS15	BWT PERLA Silk M- 15 litres bed
PS20	BWT PERLA Silk L- 20 litres bed
PS25	BWT PERLA Silk XL- 25 litres bed

### Additional components for the PERLA Silk water softener

Code	Description
810417	Mechanical filter with backwash PROTECTOR BW 1'
887527	MULTIBLOCK Inline connection fittings
A9702AA02	Connection hose set 20/25
P0074702	Flush trap
094250	25 litres of bed



### pH-plus granulate

Powder formulation for raising the pH value in swimming pool water. Dissolved it is suitable for both manual and automatic dosing in measuring and dosing devices.

Code	Description
20-10-001	1 kg
20-10-005	5 kg

### pH-plus liquid

Liquid formulation for raising the pH value in swimming pool water. Ideal for automatic dosing in measuring and dosing devices.

Code	Description
20-30-001	1 kg ≈ 0,66 l
20-30-005	5 kg ≈ 3,33 l
20-30-025	25 kg ≈ 16,66 l

## PREMIUM CHLORINE DISINFECTION



## Chlorine granulat

A solid chlorine preparation in granular form for the rapid disinfection of swimming pool water. Contains approximately 55% active chlorine.

## Chlorine tablets 20g

Solid chlorine preparation in tablet form (20g). Contains approximately 90% active chlorine.

## Chlorine tablets 200g

Solid chlorine preparation in tablet form (200g). Contains approximately 90% active chlorine.

## Chlorine multi-tablets 20g (blue)

Solid chlorine preparation in the form of blue tablets (20g). Contains approximately 87% active chlorine, copper sulphate and aluminium sulphate and blue dye.

## Chlorine multi-tablets 200g

Solid chlorine preparation in the form of blue tablets (200g). Contains approximately 87% active chlorine, copper sulphate and aluminium sulphate.

## Liquid chlorine

Liquid stabilised chlorine preparation for the disinfection of swimming pool water using a dosing station. Contains approximately 15% active chlorine. Bactericidal, fungicidal and virucidal action. Shelf life 3 months.

Code	Description
30-10-001	1 kg
30-10-005	5 kg

Code	Description
30-20-001	1 kg
30-20-005	5 kg

Code	Description
30-200-001	1 kg
30-200-005	5 kg

Code	Description
30-20M-001	1 kg
30-20M-005	5 kg

Code	Description
30-200M-001	1 kg
30-200M-005	5 kg

Code	Description
30-30-025	25 kg ≈ 21 l
30-30-035	35 kg ≈ 29,5 l

CHLORINE DISINFECTION  
PREMIUM PLUS

- Does not leave pollen
- Low odour values
- PREMIUM water clarity quality

## Chlorine granulate PLUS

A solid chlorine preparation in granulate form for the rapid disinfection of swimming pool water. Contains approximately 55% active chlorine.

## Chlorine tablets 20g PLUS

Solid chlorine preparation in tablet form (20g). Contains approximately 90% active chlorine.

## Chlorine tablets 200g PLUS

Solid chlorine preparation in tablet form (200g). Contains approximately 90% active chlorine.

## Chlorine multi-tablets 20g (blue) PLUS

Solid chlorine preparation in the form of blue tablets (20g). Contains approximately 87% active chlorine, copper sulphate and aluminium sulphate and blue dye.

## Chlorine multi-tablets 200g PLUS

Solid chlorine preparation in the form of blue tablets (200g). Contains approximately 87% active chlorine, copper sulphate and aluminium sulphate.

## Liquid chlorine

A liquid stabilised chlorine preparation for disinfecting pool water using a dosing station. Contains approximately 16% active chlorine. Bactericidal, fungicidal and virucidal action. Shelf life 6 months.

Code	Description
40-10-001	1 kg
40-10-005	5 kg

Code	Description
40-20-001	1 kg
40-20-005	5 kg

Code	Description
40-200-001	1 kg
40-200-005	5 kg

Code	Description
40-20M-001	1 kg
40-20M-005	5 kg

Code	Description
40-200M-001	1 kg
40-200M-005	5 kg

Code	Description
40-30-025	25 kg ≈ 21 l
40-30-035	35 kg ≈ 29,5 l

## ACTIVE OXYGEN



### Active oxygen tablets 20g

Active oxygen in the form of 20g tablets for the chlorine-free disinfection of water in private pools.

### Active oxygen liquid

An agent for the chlorine-free maintenance of pool water clarity. It is recommended for automatic dosing in private pools.



Code	Description
50-20-001	1 kg
50-20-005	5 kg

Code	Description
50-30-005	5 kg ≈ 4,54 l
50-30-020	20 kg ≈ 18,18 l
50-30-030	30 kg ≈ 27,27 l

## ANTIGLON



### Antiglone Liquid Oxygen

Highly concentrated, liquid, broad-spectrum algicide, fungicide and bactericide for small private and municipal pools.

Code	Description
60-30-001	1 kg ≈ 1 l
60-30-005	5 kg ≈ 5 l
60-30-030	30 kg ≈ 30 l

## COAGULATION



### Liquid coagulant

Liquid coagulant with a broad spectrum of pH values. Suitable for both manual and automatic dosing, can be diluted with water.



Code	Description
70-30-001	1 kg ≈ 1 l
70-30-005	5 kg ≈ 5 l
70-30-020	20 kg ≈ 20 l
70-30-030	30 kg ≈ 30 l



### Superflock cartridges 8 x 125 g

Coagulant in cartridge form, used as a cartridge for skimmers in small private or garden pools.

Code	Description
FLOK-001	8-125g

## FOOT DISINFECTION DEVICE

**Product information:**

- Doses alcohol-based disinfectant through two nozzles
- 7.5 litre refillable container
- Manual operation with foot lever
- Dispenser is lockable
- Designed for wall mounting using 4 screws and dowels (included in the supply)

**Purpose:**

Public facilities where foot disinfection is required, such as: wellness facilities, swimming pools, saunas, spa areas, sports facilities, medical and therapy rooms.



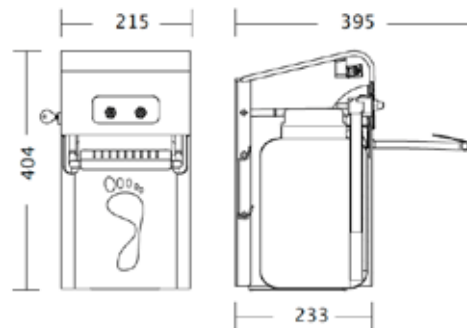
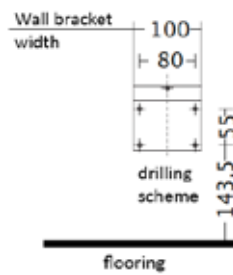
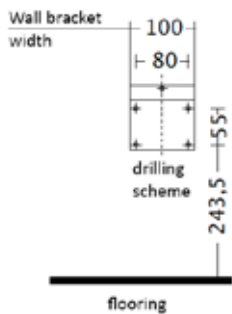
Code	Description
D I212	Ingo-ped®

**Recommended wall mounting - dimensions in mm**

pendant device

standing device

Ingo-ped® 3



## OXYGEN BAR OXY VITAL 2000

The Oxy Vital 2000 portable oxygen therapy unit is a state-of-the-art piece of equipment, designed for oxygen therapy at home. Efficient, with a simple design, quiet, ensuring safe and trouble-free operation, making oxygen therapy extremely effective. The oxygen bar is equipped with an ergonomic, comfortable handle for easy carrying, as well as a set of swivel castors. Powered by mains electricity. Manufactured in Germany.



Code	Description
BOXY11	Oxygen bar

## SAUNARIO MOBILE WASHBASIN

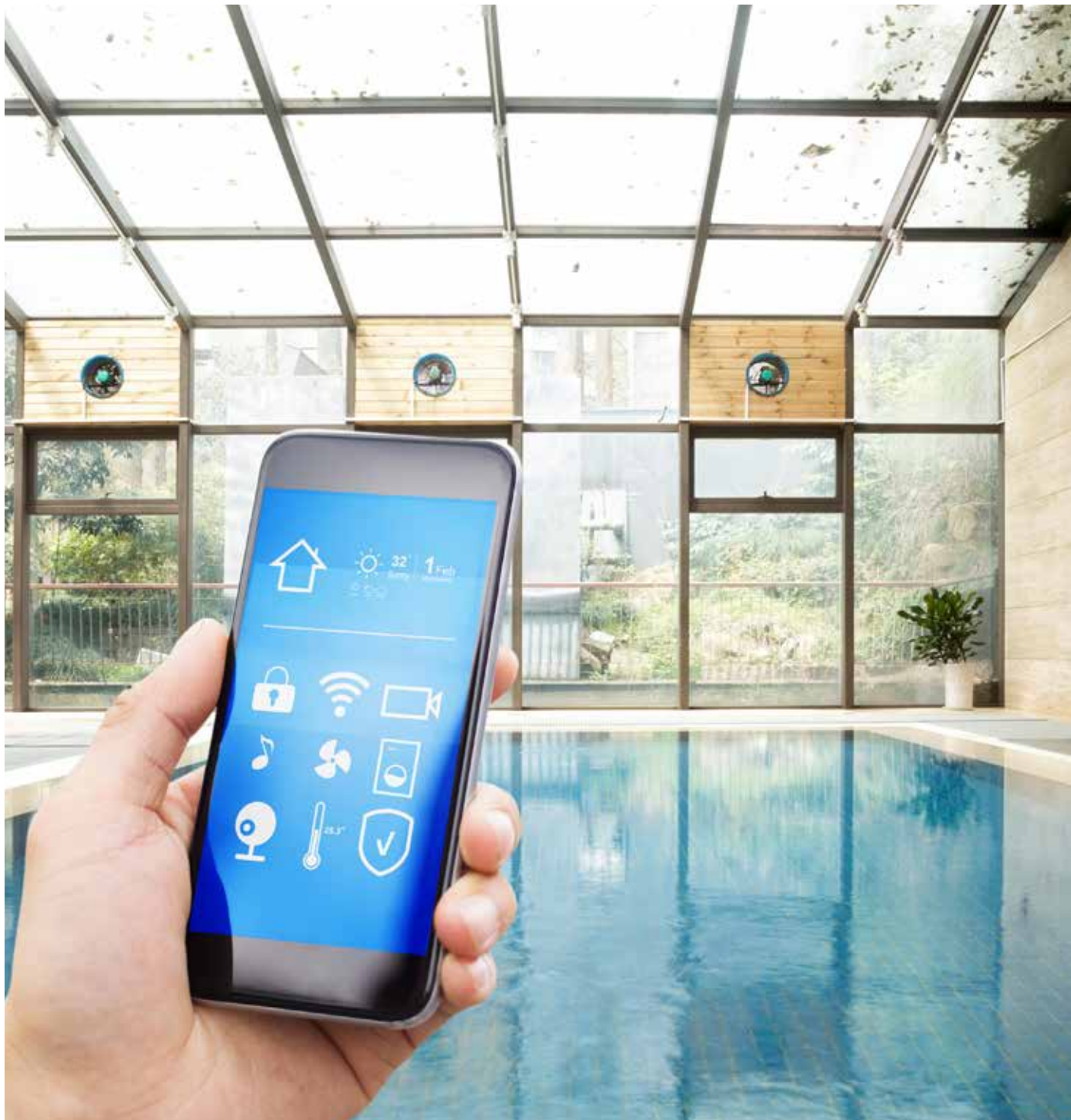
The station structure and sides are made of powder-coated steel. The countertop, sink and other components are made of stainless steel, making the wash station weatherproof for outdoor use. With the touchless handwashing station, it is easy to keep the spread of viruses and bacteria low, ensuring that hands can be washed frequently and conveniently where needed.



**Dimensions:**

- H 1330mm
- W 605mm
- Depth. 500mm
- H floor-top 990mm
- Sink diameter 310mm
- Weight 50kg

Nr. Art.	Description
ZC11	Covidium sink



# Heating

HEAT EXCHANGERS.....	310
POOL HEAT EXCHANGER TypeE B.....	313
POOL HEAT EXCHANGER TypeE TI.....	314
ELECTRIC HEATERS.....	315
MINI FILTER TANKS WITH 6-WAY VALVE.....	319
CIRCULATION PUMPS FOR CENTRAL HEATING.....	320
HEAT PUMPS.....	321
SOLAR COLLECTORS.....	330

### A fast and flexible solution

The heat exchangers are designed and made of materials that allow them to be used for a wide range of needs and in many different types of installations. All models can be installed and connected to electric, firewood, pellet or oil-fired boilers, heat pumps or a system in solar thermal collectors. Optimised for high efficiency and low pressure drop.

### Maxi-Flo and Maxi-Flo Titanium line

Made of acid-resistant steel or titanium. Maxi-Flo are tubular heat exchangers with excellent heating properties and are easy to install.

Code	Type	Material	Temperature difference performance		Max. temperature
Maxi-Flo purpose: swimming pools up to 450 m <sup>3</sup>					
11365	MF135	acid resistant steel	40 kW	60°C	130°C
11366	MF200	acid resistant steel	60 kW	60°C	130°C
11367	MF260	acid resistant steel	75 kW	60°C	130°C
11368	MF400	acid resistant steel	120 kW	60°C	130°C
Maxi-Flo Titanium intended use: swimming pools up to 1000 m <sup>3</sup>					
11377	MFT260	titanium	75 kW	60°C	120°C
11380	MFT680	titanium	200 kW	60°C	120°C

Maxi-Flo



Maxi-Flo Titanium



### Hi-Flow and Hi-Flow Titanium line

Made of acid-resistant steel or titanium. Hi-Flow are spiral heat exchangers for high-pressure installations.

Code	Type	Material	Temperature difference performance		Max. temperature
Hi-Flo intended use: swimming pools up to 300 m <sup>3</sup>					
11391	HF13	acid resistant steel	13 kW	60°C	130°C
11392	HF28	acid resistant steel	28 kW	60°C	130°C
11393	HF40	acid resistant steel	40 kW	70°C	130°C
11394	HF75	acid resistant steel	75 kW	70°C	130°C
Hi-Flow Titanium intended use: swimming pools up to 300 m <sup>3</sup>					
11332	T28	titanium	28 kW	60°C	130°C
11333	T40	titanium	40 kW	60°C	130°C
11334	T75	titanium	75 kW	70°C	130°C

Hi-Flow



Hi-Flow Titanium



**Linia Hi-Temp i Hi-Temp Titanium**

Made of acid-resistant steel or titanium. Hi-Temp are spiral heat exchangers made of thermoplastic material reinforced with glass fibre for increased durability. The stainless steel coil is acid-resistant, while the titanium coil is designed for saltwater pools.

Code	Type	Material	Temperature difference performance		Max. temperature
Hi-Temp intended use: swimming pools up to 300 m <sup>3</sup>					
11312	HT40	acid resistant steel	40 kW	60°C	100°C
11314	HFT75	acid resistant steel	75 kW	60°C	100°C
Hi-Temp Titanium intended use: swimming pools up to 300 m <sup>3</sup>					
11322	HTT40	titanium	40 kW	60°C	100°C
11324	HTT75	titanium	75 kW	60°C	100°C

Hi-Temp



Hi-Temp Titanium



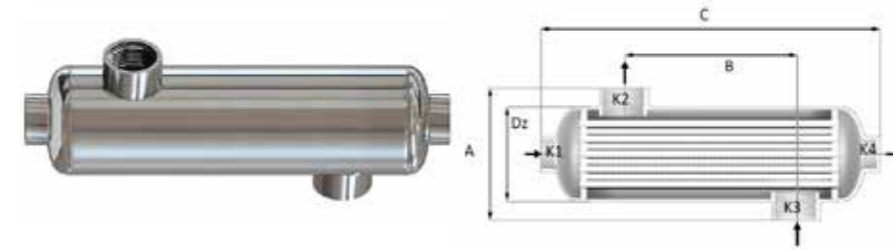
**POOL HEAT EXCHANGER TYPE B**

Type B exchangers are shell-and-tube exchangers with straight corrugated tubes. They are used in installations where there are high fluid flows compared to the thermal power transferred. It is a proven solution for swimming pool installations, solar installations or small pre-heating oil systems. The use of corrugated tubes intensifies heat transfer and increases the self-cleaning capability.



**Pros:**

- Low pressure loss at high flows
- Compact size
- Resistance to aggressive substances in swimming pool water (e.g. fluoride, chlorine).



Type	Heat exchange surface area	Coat side volume	Tubing side volume	Mass	Dimensions in mm			
	m <sup>2</sup>	l	l		A	B	C	Dz
B54	0,11	0,48	0,52	2,10	122,0	75,0	289,5	80,0
B70	0,18	0,84	0,64	3,00	122,0	175,0	389,5	80,0
B130	0,23	0,98	0,70	3,30	122,0	225,0	439,5	80,0
B180	0,38	1,38	1,21	4,60	143,6	193,0	379,0	101,5
B250	0,55	1,99	1,48	5,80	143,6	323,0	509,0	101,5
B300	0,73	2,58	1,76	7,30	143,6	451,0	637,0	101,5
B500	1,37	4,81	2,76	12,40	143,6	884,0	1103,0	101,5
B1000	1,97	7,78	4,55	23,50	190,0	598,0	943,0	139,7

**Brass capillary 1/2"**

Capillary for temperature sensor to be screwed into sockets, piping.



**Stainless steel capillary 1/2"**



## TYPE TI POOL HEAT EXCHANGER

Type TI exchangers are titanium exchangers designed for use in particularly demanding pool installations fed with salt water. The use of titanium makes TIs resistant to aggressive substances such as salt, chlorine and fluorine, as well as to high pressure and temperature. Thanks to their design, the exchangers are suitable for high-flow installations. The corrugated tubes produce a turbulent flow, which intensifies heat exchange and increases the self-cleaning capacity.

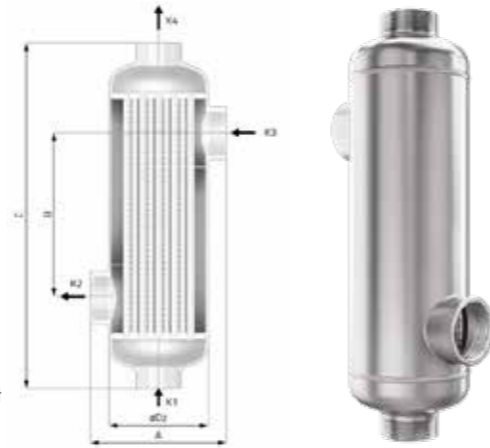
### Pros:

- Ideal for saltwater pools
- Resistant to aggressive substances such as fluorine and chlorine
- Corrugated pipes intensify heat transfer and reduce the formation of deposits
- High flow rate with low pressure loss - eliminates the need for by-passes
- Compact size

### Construction:

- Corrugated tubing Ø 8 mm
- Welded design eliminates the risk of leakage
- Made of titanium

K1/K4: Heat source inlet/outlet  
- male thread G1 1/2".  
K3/K2: swimming pool water inlet/outlet  
- G1 1/2" female thread



### Max. capacity

Heat source inlet temp. °C	Pool water outlet temp. °C	TI250 kW	TI350 kW	TI500 kW	TI750 kW	TI1000 kW
50	32	13	24	38	54	69
	38	9	15	26	36	48
60	32	23	37	66	86	115
	38	18	30	50	71	90
70	32	33	53	91	120	158
	38	28	45	78	100	137
		m <sup>3</sup> /h	m <sup>3</sup> /h	m <sup>3</sup> /h	m <sup>3</sup> /h	m <sup>3</sup> /h
pool water	flow	12	15	24	20	17
heat source		3	4	5	5	5,5
		kPa	kPa	kPa	kPa	kPa
pool water	pressure drop	9	18	58	59	58
heat source		1	2	4	6	7
pool volume [m <sup>3</sup> /h]		40-70	70-110	90-150	130-180	160-220

### technical specifications

Type	Heat exchange surface area m <sup>2</sup>	Tubing side volume l	Coat side volume l	Mass kg	Dimensions			
					A mm	B mm	C mm	ØDz mm
TI250	0,34	0,94	1,19	2,2	140	170	357	101,6
TI350	0,48	1,17	1,63	2,7	140	270	457	101,6
TI500	0,69	1,51	2,34	3,8	140	420	607	101,6
TI750	1,04	2,08	3,49	5,3	140	670	857	101,6
TI1000	1,38	2,64	4,66	6,8	140	920	1107	101,6

## PAHLÉN ELECTRIC HEATERS

### Heaters with thermoplastic housings

When wishing to enjoy warm water in a swimming pool, a heating source must be chosen. Electric heaters are a common solution for swimming pools. In order for them to work properly, the heater must be chosen to suit the size of the pool.

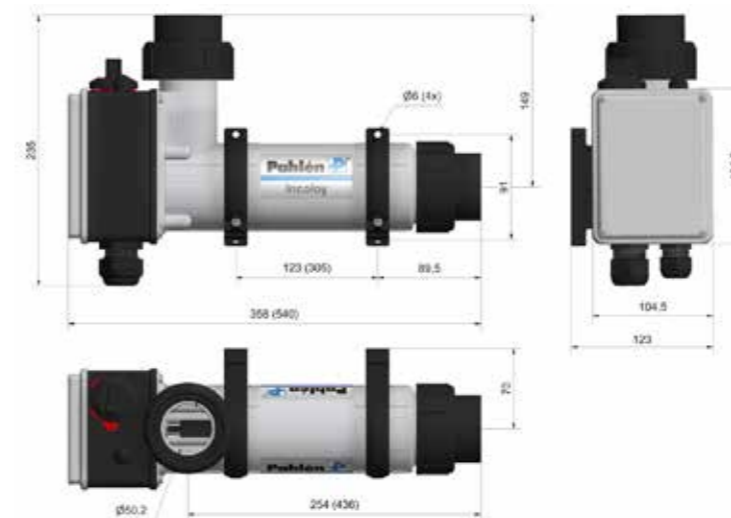
The Aqua Compact electric heater is supplied with built-in safety features such as:

- adjustable thermostat (temperature range 0 - 45°C),
- overheating protection (with a maximum interruption temperature of 60°C),
- flow sensor.

The shell is made of a thermoplastic material. The electrical insert is made of Incoloy 825 (or titanium).

Technical data	
Flow min.	90 l/min
Flow max.	300 l/min
Voltage	230V 1-phase (3-6kW), 230V 3-phase (3-18kW), 400V 3-phase (3-18kW)
Pressure max.	2,5 bar (2,5 Pa)
Max. temperature	45°C
Leakage class	IP45

### Dimensions:



### Attention:

Heaters in the Aqua Compact range do not come with screws.

### Aqua Compact 3-18 kW Incoloy 825



Code	Type	Power	Weight [kg]
141600	AC30	3 kW	1,7
141601	AC60	6 kW	1,7
141602	AC90	9 kW	1,7
141603	AC120	12 kW	2,2
141604	AC150	15 kW	2,2
141605	AC180	18 kW	2,2

**NOTE!**

The standard version of the heater (with Incoloy 825 cartridge) is not suitable for use in aggressive water, in salt water or in pools with a chlorination unit/salt generator. In such cases, an Aqua compact with titanium cartridge is required.

**Aqua Compact 3-18 kW titanium for saltwater**



Code	Type	Power	Weight [kg]
141600T	AC30T	3 kW	1,7
141601T	AC60T	6 kW	1,7
141602T	AC90T	9 kW	1,7
141603T	AC120T	12 kW	2,2
141604T	AC150T	15 kW	2,2
141605T	AC180T	18 kW	2,2

**Heaters with steel casing**

**Compact 3-18kW**

Compact spa heaters are equipped with a thermostat allowing temperature control from 0-45°C, overheating protection with a maximum cut-off temperature of 60°C and a flow sensor or pressure sensor. The housing is made of Typeu 316 acid-resistant steel, the heating elements of Incoloy 825 alloy.

Technical data		
Heaters equipped with	flow sensor	pressure sensor
Flow min. 3-9kW	85 l/min	20 l/min
Flow min. 12-18kW	85 l/min	40 l/min
Flow max.	300 l/min	
Voltage	230V-phase (3-6kW), 230V 3-phase 93-18kW), 400V 3-phase (3-18kW)	
Pressure max.	2.5 bar	4.0 bar
Max. temperature:	60°C	

**NOTE!**

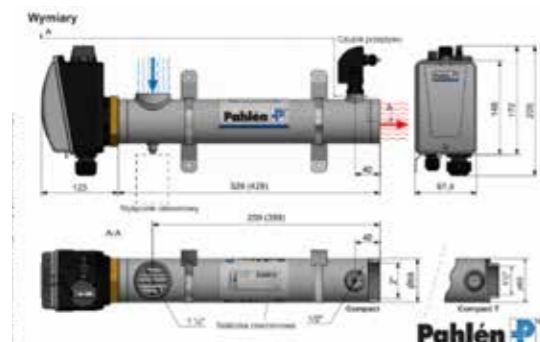
The standard version of the heater (with Incoloy 825 cartridge) is not intended for use in aggressive water, in salt water or in pools with a chlorination device/salt generator.

**With flow switch max. 2.5 bar**

Code	Type	kW	230V	400V	Weight [kg]
13981403	11F30	3.0	8	5	2.8
13981406	11F60	6.0	15	9	2.8
13981409	11F90	9.0	23	14	3.2
13981412	11F120	12.0	31	18	3.2
13981415	11F150	15.0	38	22	3.2
13981418	11F180	18.0	46	27	3.2

**With flow switch max. 4 bar**

Code	Type	kW	230V	400V	Weight [kg]
13982403	11F30	3.0	8	5	2.8
13982406	11F60	6.0	15	9	2.8
13982409	11F90	9.0	23	14	3.2
13982412	11F120	12.0	31	18	3.2
13982415	11F150	15.0	38	22	3.2
13982418	11F180	18.0	46	27	3.2



**Heaters with thermoplastic housings**

**Aqua spa 1.5-2 kW dla małych basenów i balii**

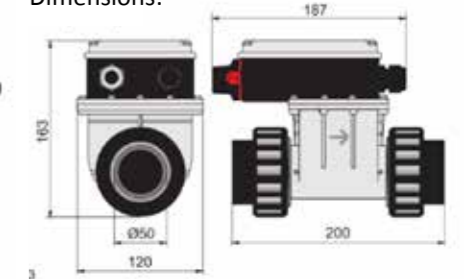
Aqua spa heaters are equipped with a thermostat that allows temperature control from 0-45°C, overheat protection with a maximum cut-off temperature of 60°C and a flow sensor that cuts off the voltage when the water flow is less than 90 l/min. The housing is made of plastic, the electric heater is made of Incoloy 825 alloy and the connections are made of PVC. Connectors for bonding to the inner surface of the Ø50 mm PVC pipe are included as standard. The compact size facilitates installation in areas with limited space.

Technical data	
Flow min.	90 l/min
Przepływ max.	300 l/min
Voltage	220-240V, 1 faza
Pressure max.	1 bar
Max. temperature	45°C

Code	Type	Power	Weight [kg]
141650	AS15	1.5kW	1
146051	AS20	2.0kW	1



**Dimensions:**



**NOTE!**

The standard version of the heater (with Incoloy 825 cartridge) is not intended for use in aggressive water, salt water or salt generator pools.



Choose your heating energy source consciously



## MINI FILTER TANKS WITH 6-ROUND VALVE COMPLETE WITH BASE (WITHOUT PUMP)

Filter tank with flexible hose connection, max. operating pressure 1.5 bar.



Code	Description
100303	Filter Ø300mm with 6-way valve, 38mm hose, 2 clamps, base 544x324mm, drain valve, 20kg charge
100304	Filter Ø400mm with 6-way valve, pressure gauge, 38mm hose, 2 clamps, base 740x500mm, drain valve, 50kg charge
100307	Filter Ø500mm with 6-way valve, pressure gauge, 38mm hose, 2 clamps, base 740x500mm, drain valve, 75kg charge

Filter tank without piping, for rigid connection 1 1/2" . max. operating pressure 1.5 bar.



Code	Description
H120497	Filter Ø300mm with 6-way valve, 2 clamps, base 544x324 mm, drain valve, 20kg charge
H120501	Filter Ø400mm with 6-way valve, manometer, 2 clamps, base 740x500mm, drain valve, 50kg charge
H120502	Filter Ø500mm with 6-way valve, pressure gauge, 2 clamps, base 740x500mm, drain valve, 75kg charge

## MINI FILTER TANKS WITH 6-WAY VALVE COMPLETE WITH BASE, WITH PUMP

Filter tank with flexible hose connection, max. operating pressure 1.5 bar.



Code	Description
H120497	Filter Ø300mm with 6-way valve, 2 clamps, base 544x324 mm, drain valve, 20kg charge
H120501	Filter Ø400mm with 6-way valve, pressure gauge, 2 clamps, base 740x500mm, drain valve, 50kg charge
H120502	Filter Ø500mm with 6-way valve, manometer, 2 clamps, base 740x500mm, drain valve, 75kg charge



Quartz ground - bag 25 kg

Code	Fraction
300000	0.40- 0.80
300225	0.71- 1.25

### SPECK AQUA PLUS filter pumps

It has a large prefilter with a capacity of approximately 1/2 litre.



Code	Description	Voltage	Output power P2	Pool size
207.2040.038	Aqua Plus 4t	1~230 V	0.18 kW	20 m <sup>3</sup>
207.2060.038	Aqua Plus 6	1~230 V	0.25 kW	30 m <sup>3</sup>
207.2080.038	Aqua Plus 8	1~230 V	0.25 kW	40 m <sup>3</sup>
207.2110.038	Aqua Plus 11	1~230 V	0.25 kW	50 m <sup>3</sup>

### SPS filter pumps



Code	Description
1 H SPS75	Prefilter pump SPS 75, 6m <sup>3</sup> /h/6m – 0,45kW/230 V
1 H SPS100	Prefilter pump SPS 100, 8m <sup>3</sup> /h/6m – 0,55kW/230 V
2 H SPS585	Prefilter pump SPS585, 12m <sup>3</sup> /h/8m – 0,85kW/230V

### Filter parts



Code	Description
1 G EH-CH	Drain valve
2 G 850003	Manometer
3 G 300919SET	6-way valve complete with clamps, Manometer
4 G 2037-1	Tank diffuser (without 50mm pipe)
5 G 300919-1	Clamp for 6-way valve
6 G 300919-3	Inspection glass for 6-way valve



## CIRCULATION PUMPS FOR CENTRAL HEATING

### EGO Easy

Single and double electronic circulating pumps, threaded or flanged, in cast iron, with technopolymer impeller and integrated electronic control with permanent magnet impeller, for use in medium-sized central and bulk systems.



#### Product information:

- AISI 316 stainless steel impeller jacket without welding points
- Practical and easy to use
- Body isolation housing included
- Available in bronze for sanitary water
- High efficiency

Product certified by the National Institute of Public Health in Poland



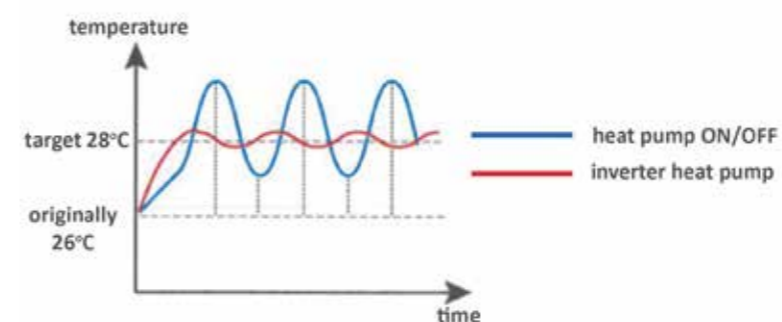
## HEAT PUMPS

### Elite Inverter - pool heat pumps

Elite Inverter pumps are fully inverter heat pumps (full inverter technology). The inverter components intelligently regulate the motor speed to ensure optimum efficiency and continuous operation. The COP is 70% higher than conventional ON-OFF heat pumps and 50% higher than standard heat pumps on the market.

#### Product information:

- High performance with maximum efficiency (COP > 13 ). Efficient operation thanks to inverter compressor, low running costs and high electricity savings compared to conventional on-off heat pumps
- Environmentally friendly refrigerant R32. A proven, efficient gas that is safe for the environment
- Quiet operation. The low noise level generated by the pump will allow you to fully relax and unwind
- UV-resistant metal housing. Functionality combined with modern design
- Wi-Fi access. Monitor pump operation remotely from your phone
- COP of 70% higher than conventional heat pumps



Elite Inverter pumps have a 'soft start' function, this means that once the pump is started, the current will increase gradually, avoiding voltage drops and damage to the home electrical system.

#### Set includes:

- drain pipe with adapter
- anti-vibration pads (4 pcs)
- winter cover
- set of connections



		Elite Inverter 70	Elite Inverter 90	Elite Inverter 120	Elite Inverter 150
Recommended pool volume	m <sup>3</sup>	20-35	25-40	35-50	50-70
Heating temperature range	°C	15~40	15~40	15~40	15~40
Cooling temperature range	°C	8~28	8~28	8~28	8~28
Operates at ambient/ outdoor temp.	°C	-10~43	-10~43	-10~43	-10~43
Air 26°C Water 26°C Inverter mode	capacity (KW)	7.56~2.26	10.40~2.48	12.5~2.89	15.6~3.61
	power input (KW)	1.12~0.17	1.50~0.19	1.82~0.216	2.25~0.27
	input current (A)	4.92~0.76	6.59~0.85	7.99~0.97	9.88~1.21
	COP	13.31~6.74	13.33~6.93	13.38~6.87	13.37~6.93
Air 26°C Water 26°C Silent mode	capacity (KW)	4.54~2.26	7.28~2.48	9~2.89	10.2~3.61
	Power input (KW)	0.58~0.17	0.91~0.19	1.13~0.216	1.37~0.27
	COP	13.31~7.83	13.33~7.98	13.38~7.96	13.37~7.45
Air 15°C Water 26°C Inverter mode	capacity (KW)	5.60~1.67	7.70~1.83	9.37~2.17	12.48~2.88
	power input (KW)	1.18~0.23	1.58~0.25	1.90~0.30	2.53~0.40
	input current (A)	5.18~1.01	6.94~1.1	8.34~1.34	11.11~1.79
	COP	7.26~4.75	7.32~4.87	7.23~4.93	7.24~4.93
Air 15°C Water 26°C Silent mode	capacity (KW)	3.36~1.67	5.39~1.83	6.50~2.17	8.57~2.88
	power input (KW)	0.61~0.21	0.96~0.23	1.17~0.30	1.56~0.40
	COP	7.96~5.51	7.97~5.61	7.23~5.56	7.20~5.49
Power supply		220-240V~ /50Hz			
Max. power consumption	KW	2,2	3,0	3,7	4
Rated current (Air 26°C/Water 26°C)	A	4.92~0.76	6.59~0.85	7.99~0.97	9.88~1.21
Max. current	A	9,8	13,3	16,4	17,7
Water flow	m <sup>3</sup> /h	2,5	3,3	4,0	5,3
Refrigerant type and quantity		R32/310g	R32/420g	R32/550g	R32/750g
Pressure min./ Pressure max.		1.5/4.15MPa	1.5/4.15MPa	1.5/4.15MPa	1.5/4.15MPa
Net unit dimensions (mm)	mm	880*320*605	880*320*605	930*340*650	930*340*650
Net pack size (mm)	mm	930*380*740	930*380*740	980*400*785	980*400*785
Net weight	kg	39	41	43	45
Gross weight	kg	48	51	53	55
Noise within 10m	dB(A)	19~27	20~28	21~29	23~31
Type capacitor		titanium	titanium	titanium	titanium
Waterproof level		IPX4	IPX4	IPX4	IPX4

Easy Temp® R - Full inverter technology at your fingertips

Product information:

- IN-Tech technology, 100% Inverter for high efficiency
- Rapid growth and precise stability of the desired temperature
- Winter cover, anti-vibration pads and 50 mm hydraulic connections included
- Clear LED display and smartphone control for intuitive, convenient use
- Quiet operation: +/-20 dB in regulation mode
- 2-year manufacturer's warranty
- Four models available up to: - 7 C /COP > 5\* /75 m<sup>3</sup>

\*The IN-Tech Technology, 100%



Inverter Smart Temp®  
(to be ordered separately)



LED touch screen



	ECPI15MA	ECPI20MA	ECPI30MA	ECPI40MA
	7kW	9kW	11kW	14kW
Recommended pool volume* [m <sup>3</sup> ]	25	35	50	70
Power supply	1 ~ 220V-240V			
Flow nominal [m <sup>3</sup> /h]	3.10	3.80	4.90	7.30
Noise level (1m) [dB(A)]	35	43	43	46
Noise level (10m) [dB(A)]	18	25	25	29
Dimensions netto [mm]	1040 x 425 x 615			1130 x 460 x 780
Weight [kg]	42	45	46	60

\*Recommended volume for a pool equipped with a canopy during use from May to September.

	D ECPI15MA	D ECPI20MA	D ECPI30MA	D ECPI40MA
Following parameters assuming Air: 27°C Relative humidity: 78% Water: 26°C				
Heating capacity range [kW]	1.62- 7.33	2.18- 8.97	1.97- 11.66	2.85- 17.06
Electricity consumption [kW]	0.15- 1.17	0.17- 1.54	0.16- 1.99	0.26- 3.13
Power input [A]	1.15- 5.32	1.27- 6.91	1.08- 8.96	1.41- 13.69
COP	11.04- 6.30	12.77- 5.81	12.57- 5.84	11.08- 5.45
Average heating capacity [kW]	5.50	6.02	6.34	9.95
Medium COP	8.02	8.61	8.79	8.00

	D ECPI15MA	D ECPI20MA	D ECPI30MA	D ECPI40MA
Following parameters assuming Air: 15°C Relative humidity: 71% Water: 26°C				
Heating capacity range [kW]	1.44- 5.36	1.58- 6.94	1.79- 8.62	2.74- 13.08
Electricity consumption [kW]	0.24- 1.14	0.27- 1.53	0.29- 1.90	0.428- 1.97
COP	5.98- 4.69	5.82- 4.53	6.17- 4.52	6.40- 4.40
Average heating capacity [kW]	3.72	4.62	4.90	7.40
Average COP	5.23	5.51	6.01	5.87

### Wi-Fi control module for Easy Temp

The module can be used with a smartphone, tablet or PC to view key information and/or change the temperature, operating time and parameter in real-time mode.



**Code**  
D HWX95005310438



### EnergyLine PRO Fi - New generation of pool heat pumps

#### Product information:

- IN-Tech Full Inverter heat pump
- Information is displayed on a wide control screen
- Powers can be adapted to the climate conditions and energy needs of the pool
- In regulation mode, energy savings of 30%
- Modul Smart Temp® (WiFi) module included
- Winter cover, anti-vibration pads and 50mm hydraulic connections included
- 2-year manufacturer's warranty
- Six models available to: -12°C /COP > 5\* /140 m³

\*Air 27°C i Water 26°C

	ENPI4M	ENPI6M	ENPI7M	ENPI9M	ENPI11M	ENPI13T
	10kW	12kW	16kW	20kW	24kW	30kW
Recommended pool volume* [m³]	40	50	70	95	120	140
Power supply	1 ~ 220V-240V					3 ~ 380V-415V
Nominal flow rate [m³/h]	4.20	5.10	5.30	6.70	8.00	9.50
Noise level (1m) [dB(A)]	31-41		44-53	45-56	46-57	48-58
Noise level (10m) [dB(A)]	16-25		27-36	28-39	29-40	31-41
Dimensions netto [mm]	1046 x 400 x 768			1150 x 485 x 868		1150 x 485 x 868
Weight [kg]	53	65	77	82	110	113

\*Recommended volume for a pool equipped with a canopy during use from May to September.



Simplified electrical connection

Possibility to monitor data and energy consumption for up to 60 days



New intuitive touchscreen interface



	ENPI4M	ENPI6M	ENPI7M	ENPI9M	ENPI11M	ENPI13T
Following parameters assuming Air: 27°C Relative humidity: 78% Water: 26°C						
Heating capacity range [kW]	2.50-7.73	3.20-11.90	4.15-16.60	4.80-20.50	6.58-23.91	10.05-30.00
Electricity consumption [kW]	0.20-1.34	0.28-1.68	0.31-3.12	0.40-3.94	0.67-4.73	0.83-5.61
Power input [A]	1.33-7.12	1.34-7.32	1.48-13.48	12.00-5.20	9.83-5.10	12.11-5.33
COP	11.04- 6.30	12.77- 5.81	12.57- 5.84	11.08- 5.45		
Average heating capacity [kW]	6.01	8.40	12.10	16.90	20.80	24.32
Average COP	8.91	8.52	7.59	6.70	6.03	5.68

	ENPI4M	ENPI6M	ENPI7M	ENPI9M	ENPI11M	ENPI13T
Following parameters assuming Air: 15°C Relative humidity: 71% Water: 26°C						
Heating capacity range [kW]	1.71-7.60	2.70-9.70	3.13-12.75	6.25-16.80	6.60-18.52	7.06-22.40
Electricity consumption [kW]	0.27-1.49	0.44-1.88	0.44-2.79	0.95-3.64	1.07-4.54	0.707-5.21
COP	6.40-5.10	6.10-5.55	7.12-4.57	6.57-4.41	6.15-4.08	9.99-4.29
Average heating capacity [kW]	4.54	6.54	9.84	12.36	14.17	15.99
Average COP	5.87	5.75	5.25	4.98	4.68	4.55



### EnergyLine PRO All-Season - A heating solution for all seasons

#### Informacje o produkcie:

- A line of heat pumps designed for use in all seasons, in extreme conditions: in temperatures down to -12°C
- The inverter blower adjusts its speed according to the external conditions and runs at idle for a super quiet night mode
- 19 cm diagonal touch screen
- Remote-controlled Smart Temp module and winter cover included
- Ideal for indoor pools and/or low temperature regions
- 2-year manufacturer's warranty



Simplified electrical connection



19 cm touchscreen for easy control



	Single-phase pumps			Three-phase pumps		
	ENP6MASCA	ENP6TASCA	ENP7TASCA	ENP8TAS	ENP9TAS	ENP10TAS
Pool size	55m3	60m3	75m3	80m3	95m3	100m3
Heating capacity [kW]	17.80	18.20	23.40	24.60	30.50	36.00
Input power [kW]	3.70	3.70	5.15	5.00	6.10	6.50
Current [A]	16.20	7.70	9.70	9.80	11.60	13.30
Power supply [V]	1~ 220V-240V	3~ 380V-415V	3~ 380V-415V	3~ 380V-415V	3~ 380V-415V	3~ 380V-415V
Noise level [dB(A)]	73	73	75	74	75	72.5
Water connections [mm]	50	50	50	50	50	63 5.50
Flow nominal [m³/h]	6.60	6.60	8.00	9.30	11.50	13.50
Maximum water pressure drop [kPa]	7	7	18	11	16	14
Dimensions [mm]	1138 x 470 x 1264	1138 x 470 x 1264	1138 x 470 x 1264	1360 x 470 x 1280	1360 x 470 x 1280	1482 x 485 x 1480

## SumHeat F<sub>v</sub> - new generation of vertical heat pumps

### Product information:

- Specially designed line of heat pumps for use in all seasons, in extreme conditions with temperatures down to -15°C
- Possibility of adapting the unit's Power to the climate constraints and energy demand of the pool.  
In regulation mode, energy savings of up to 30%.
- IN-Tech Full Inverter technology is a combination of Mitsubishi / Panasonic CPS inverter and DC inverter fan
- Self-adapting defrosting system to optimise defrost cycle
- Idle operation provides a very quiet night mode
- Real-time information displayed on a wide control screen (diagnostic tool for professionals)
- Wi-Fi module included
- 50 mm connections, winter cover and anti-vibration pads included



### WiFi module

The module can be used with a smartphone, tablet or PC to display key information and change temperature, operating time and mode parameters in real time.

### Single-phase pumps

Code - Power	HP5171DT3 - 17 kW	HP5211DT3 - 21 kW	HP5251DT3 - 25 kW	HP5301DT3 - 30 kW
Recommended pool volume* [m <sup>3</sup> ]	68	88	100	130
Power supply	220 V-240 V / 1 ph/50 Hz			

### Three-phase pumps

Code - Power	HP5211ET3 - 21 kW	HP5251ET3 - 25 kW	HP5301ET3 - 30 kW
Recommended pool volume* [m <sup>3</sup> ]	88	100	130
Power supply	380 V-415 V / 3N/ 50 Hz		

\*Recommended volume for a pool equipped with a canopy during use from May to September.

### Available accessories

Code	Description
HWX29400018	Wall mounting kit- 20 m cable

### Technical data

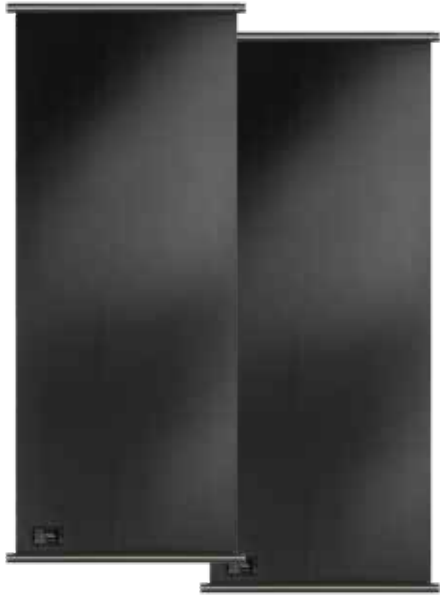
	HP5171DT3	HP5211DT3	HP5211ET3	HP5251DT3	HP5251ET3	HP5301DT3	HP5301ET3
	1-phase	1-phase	3-phase	1-phase	3-phase	1-phase	3-phase
Following parameters assuming Air: 27°C Relative humidity: 78% Water: 26°C							
Heating capacity range [kW]	3.65- 17.05	6.35- 21.47	6.24- 22.10	5.10- 24.3	6.02- 24.5	7.74- 30.30	8.12- 31.20
Electrical power consumption [kW]	0.24- 2.47	0.46- 2.80	0.46- 3.07	0.37- 3.79	0.41- 3.67	0.59- 4.98	0.59- 5.08
Input current [A]	1.58- 10.78	2.81- 12.24	1.00- 5.10	2.29- 16.57	0.90- 5.81	3.48- 21.77	1.21- 8.23
COP	15- 6.89	13.66- 7.65	13.70- 7.19	13.52- 6.41	14.53- 6.68	13.03- 6.07	13.72- 6.14
Following parameters assuming Air: 15°C Relative humidity: 71% Water: 26°C							
Heating capacity range [kW]	2.87- 12.63	4.76- 16.49	4.84- 16.92	3.90- 18.96	4.55- 19.55	5.53- 22.36	5.52- 23.05
Electrical power consumption [kW]	0.43- 2.41	0.64- 2.88	0.68- 3.10	0.62- 3.78	0.63- 3.68	0.86- 4.67	0.79- 4.94
COP	6.58- 5.24	7.49- 5.72	7.10- 5.46	6.33- 5.01	7.18- 5.31	6.45- 4.79	6.98- 4.66
Net dimensions of the unit [mm]	780 x 730 x 868	797 x 777 x 965				846 x 920 x 1024	
Weight [kg]	75	101		106		123	
Noise level (1m) [dB(A)]	49.3- 51.8	55.9- 58.3	56.4- 61	54.6- 59.9	55.2- 59.7	56.8- 62.5	51- 60.4



## SOLAR COLLECTORS

### BADU BK 250/370

BADU BK are environmentally friendly solar collectors. They are available in two versions to make it easier to calculate the area required for optimal pool heat: the BADU BK 250 and BADU BK 370 differ in size, weight and flow rate. The choice depends on ambient conditions such as installation location and pool size. A general rule of thumb for swimming pools is approximately 0.7 m<sup>2</sup> of solar collector area per square metre of pool surface.



Code	Description
250.2000.000	BK 250
250.1000.000	BK 370



### F 2000 SOLAR COLLECTOR

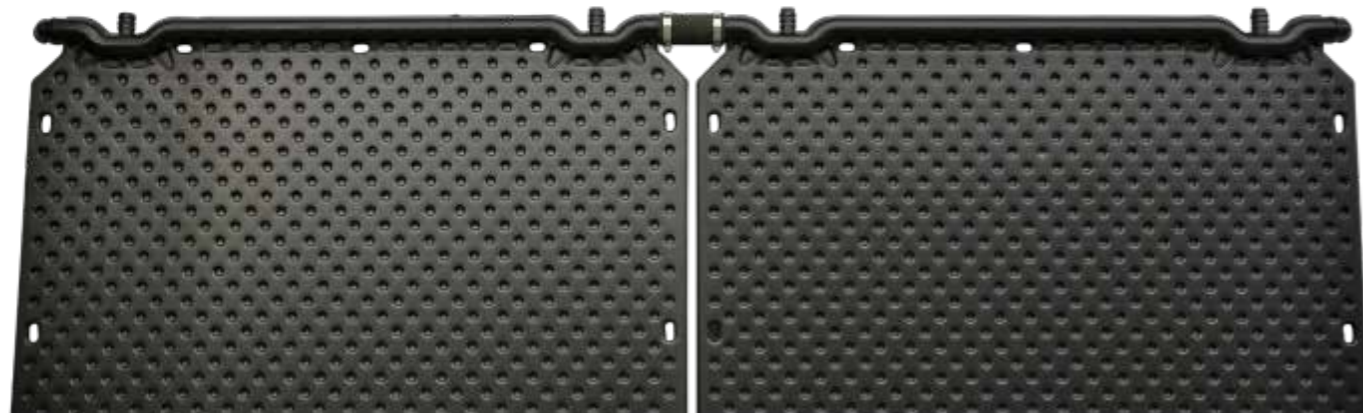
Solar collector, 2000 mm x 1000 mm, (2.00 m<sup>2</sup>), 4x40mm and 4x25mm connection

Heat your pool with a solar collector, taking advantage of free solar energy.

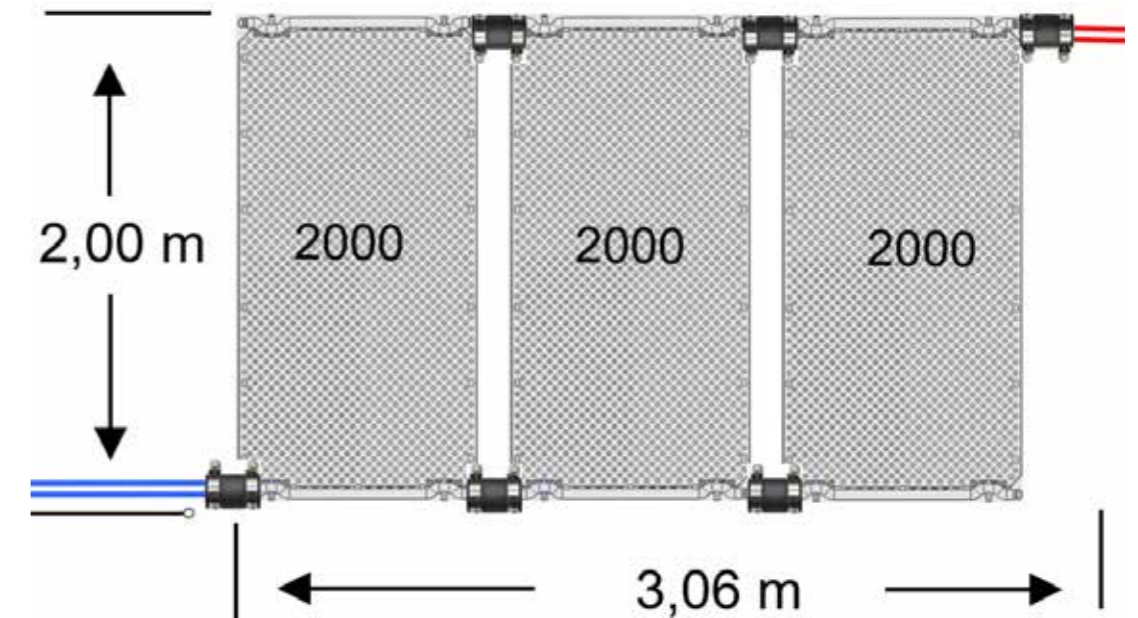
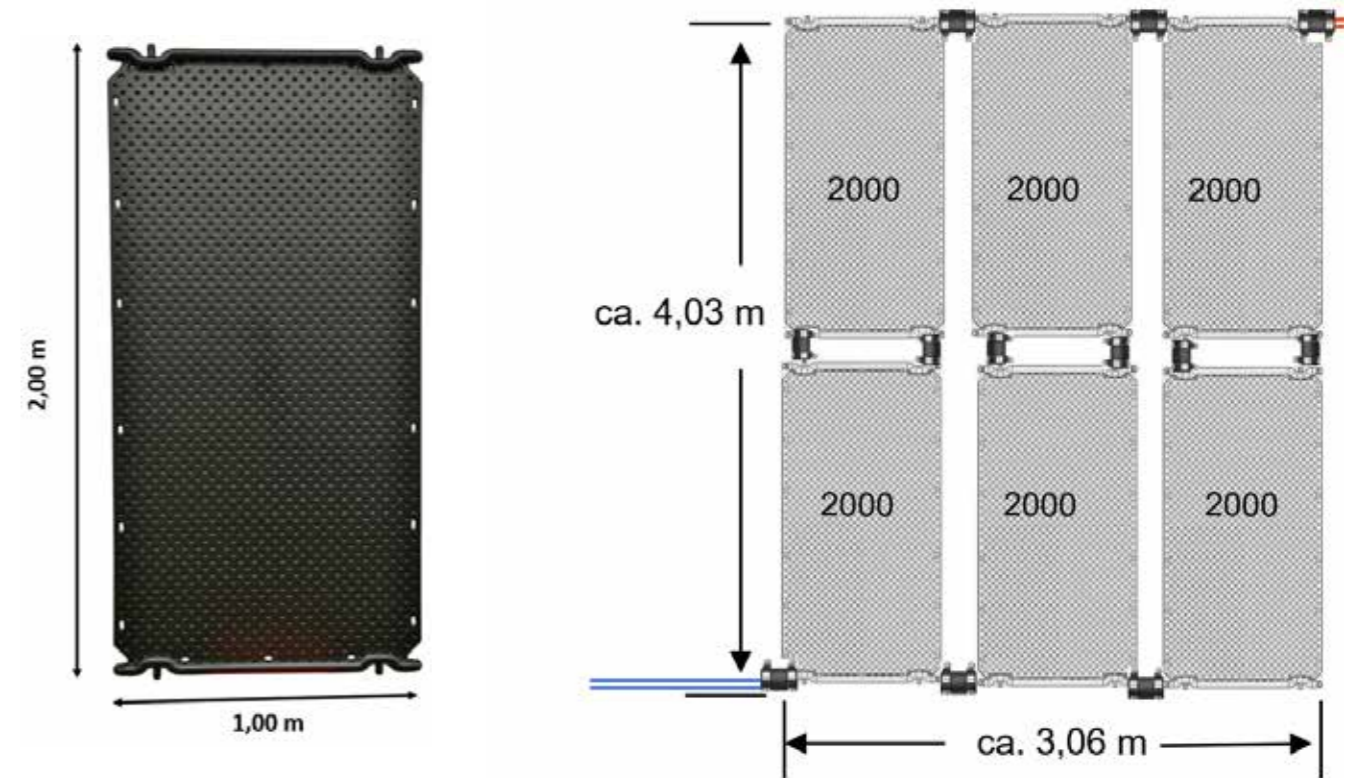
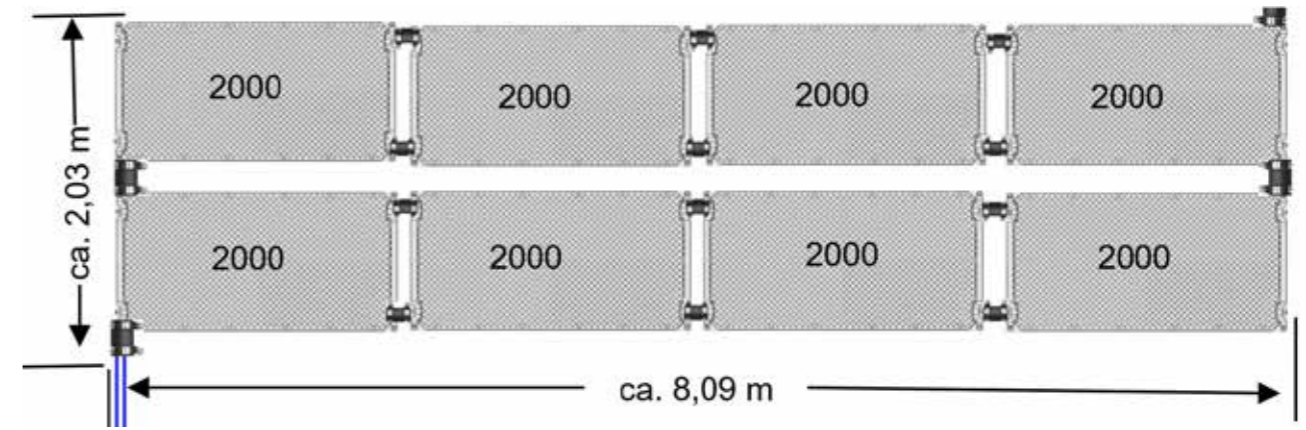
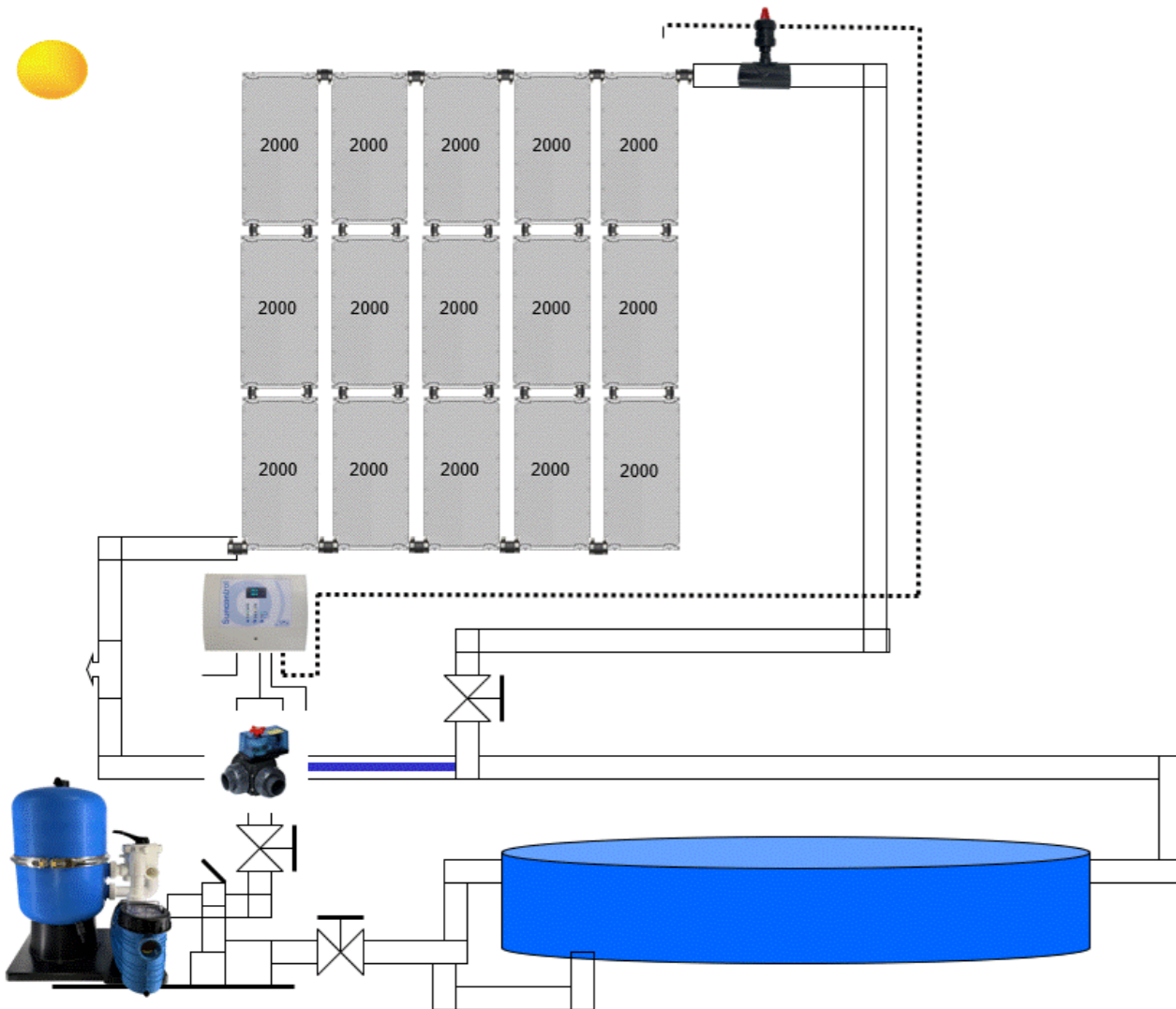


- universal connections
- full flow
- easy to install - modular system
- simple calculation of the roof area
- resistant to chemicals, pool water
- Material frost resistant to - 50 °C
- manufactured in one piece
- 100% protection against damage by animals
- highest performance thanks to optimised geometry
- optimum vortex flow
- increased pressure resistance due to optimised shape
- maximum flexibility
- Made in Germany

**PLANTS AND COLLECTORS MUST BE EMPTIED FOR THE WINTER!**



**ENSURE CONSTANT WATER FLOW THROUGH THE COLLECTORS DURING HEATING (THE PUMP MUST BE RUNNING!).**





## Do you want to enjoy your free time in a pleasantly heated pool - all summer long?

Solar heaters for swimming pools and hot tubs are the right solution for you. Thanks to free and environmentally friendly solar energy, you can heat your outdoor or indoor pool all season long.

Your swimming pool does not require very high temperatures, but you do need to heat large volumes of water.

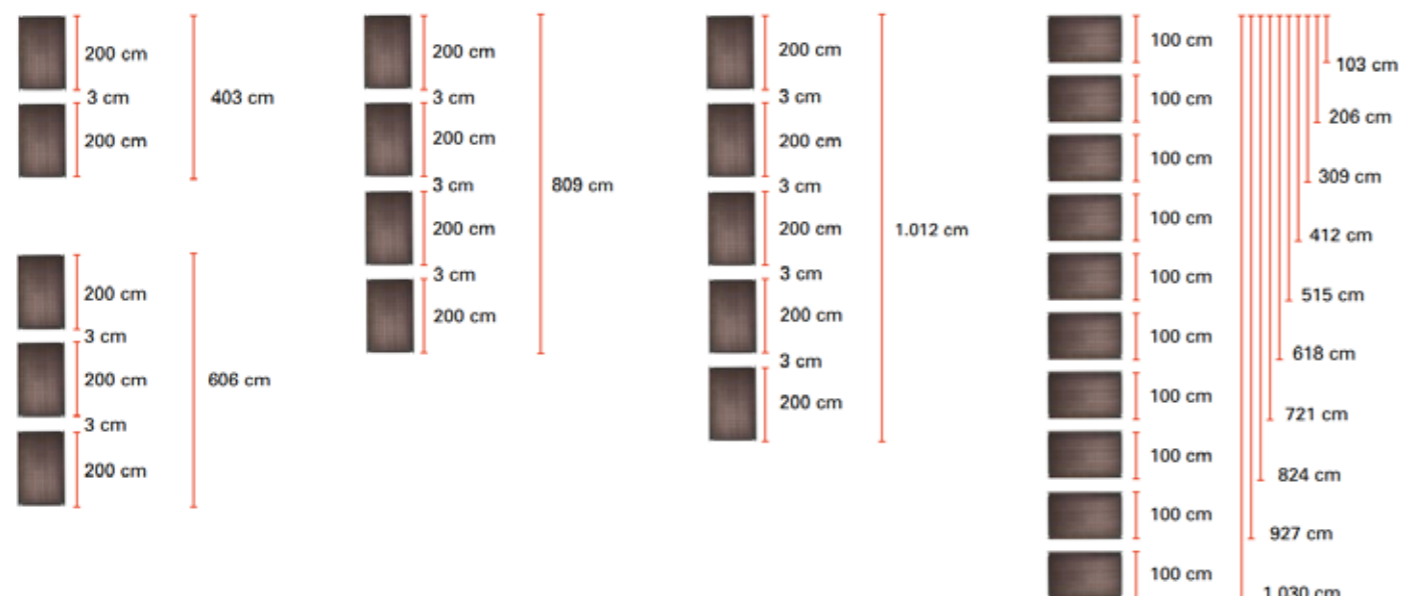
It is sensible to operate these systems with a high flow rate at a relatively low temperature level.

In this way, you can achieve optimum solar pool heating performance.



**Use solar energy, an inexhaustible source of energy at zero cost and make your own contribution to climate protection!**

	Data	Data per m <sup>2</sup>
Low pressure loss	0.005 bar at 400 litres per hour	0.003 bar at 200 l/h/m <sup>2</sup>
Flow rate	300- 500 litres per hour	150- 250 litres per hour
Weight	approx. 11.6 kg- water capacity 11.6 litres	approx. 5.8 kg- water capacity 5.8 litres
Test pressure	4.5 bar at normal temperature	4.5 bar at normal temperature
Operating pressure	up to 1.2 bar at 40 °C	up to 1.2 bar at 40 °C
Bursting pressure	> 12 bar, vacuum resistance	> 12 bar, vacuum resistance
Performance	up to approx. 85%- Power up to 1.2 kWh	up to approx. 85%- efficiency up to 0.85 kWh/m <sup>2</sup>
∅ Design value	1.0- 1.2 kW/h corresponds to 8- 10 kW per day	0.5- 0.6 kW/h/m <sup>2</sup> corresponds to 4- 5 kW/m <sup>2</sup> per day
Load test	Temperature-resistant material from- 50 °C to + 115 °C	Temperature-resistant material from- 50 °C to + 115 °C



## SOLAR COLLECTOR F 1002

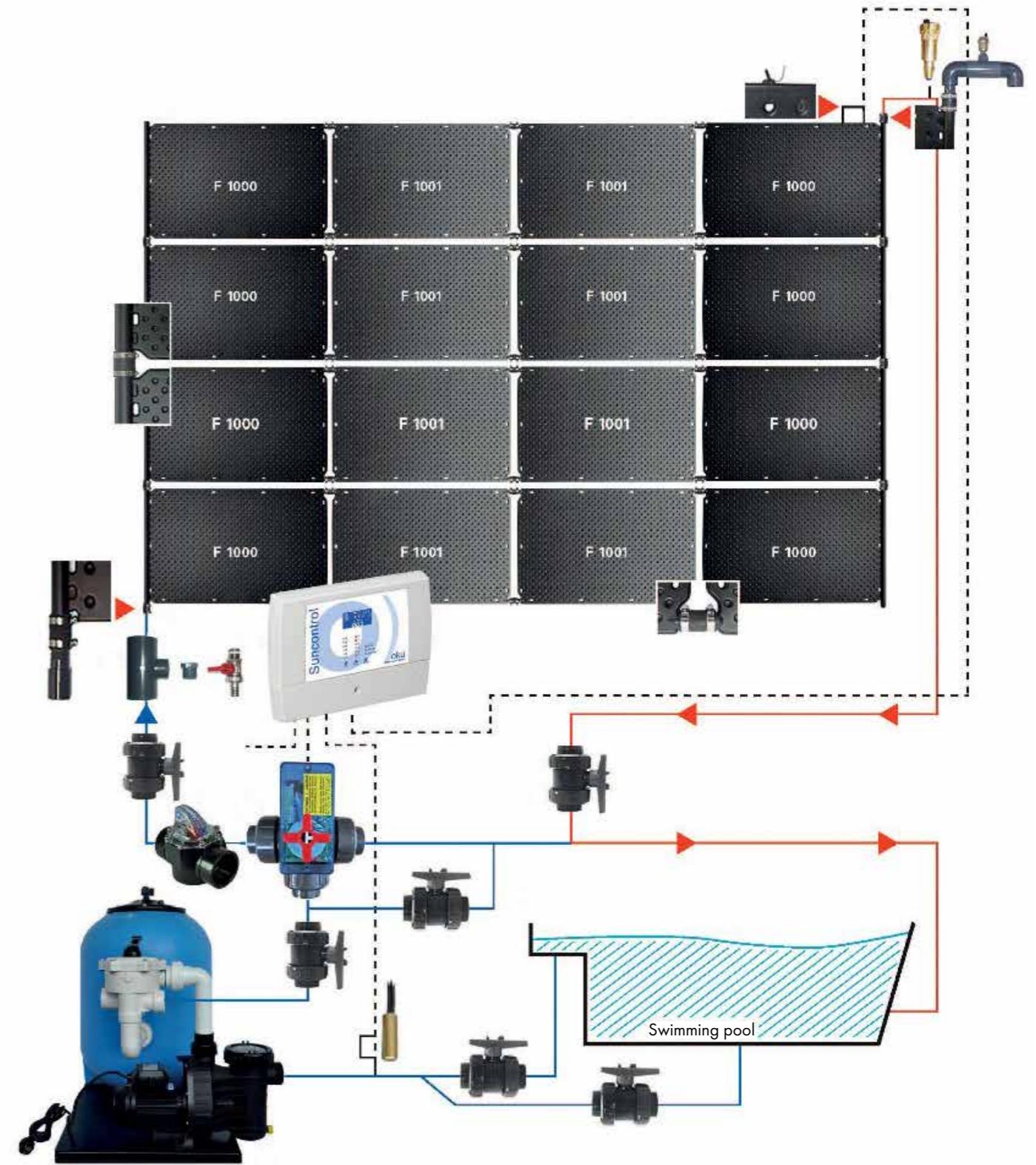
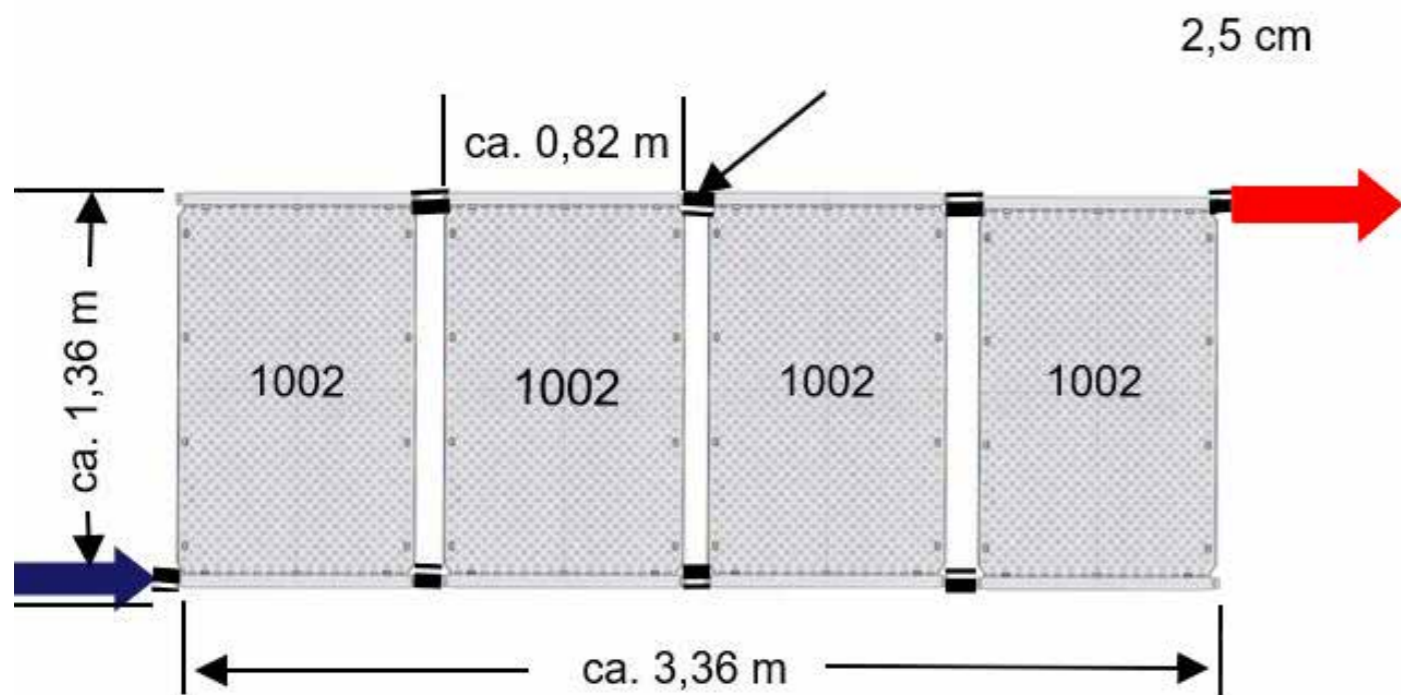
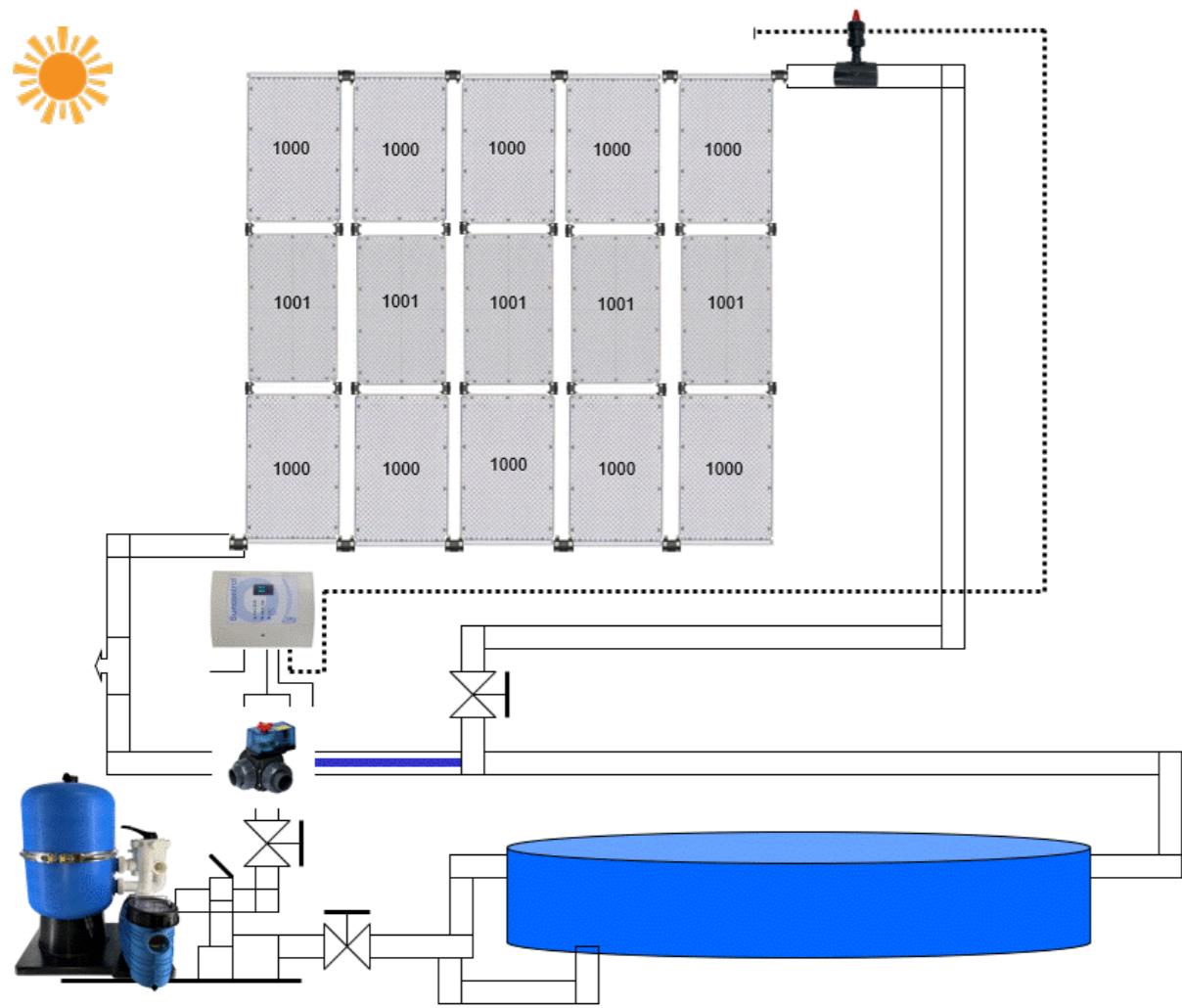
Solar collector, 1360 mm x 820 mm, (1.12 m<sup>2</sup>), horizontal connection 4x40mm



**PLANTS AND COLLECTORS MUST BE EMPTIED FOR THE WINTER!**

- low pressure loss, high performance
- resistant to chemicals, salt water, swimming pool water
- Material frost resistant down to -50°C
- manufactured in one piece
- 100% protection against damage by animals
- Can be walked on over the entire surface
- easy to install - modular system
- lower water content - faster reaction time
- significantly increased pressure resistance
- pressure due to optimised design
- optimum turbulent flow thanks to improved geometry - highest efficiency

Technical data	
Low pressure loss	approx. 0.009 bar at 200 l/h/m <sup>2</sup>
Flow rate	150- 250 l m <sup>2</sup> /h
Weight	approx. 5.8 kg/m <sup>2</sup> - water content 5.8 l/m <sup>2</sup>
Test pressure	4.5 bar at normal temperature
Operating pressure	up to 1.2 bar at 40 °C
Bursting pressure	> 18 bar, low pressure resistant
Performance	up to approx. 85%- efficiency up to 0.85 kWh/m <sup>2</sup>
∅ Design value	0.5- 0.6 kW/h/m <sup>2</sup> corresponds to 4- 5 kW/m <sup>2</sup> per day
Resistance without load	Material resistant to temperatures from- 50°C to +115°C



**ENSURE CONSTANT WATER FLOW THROUGH THE COLLECTORS DURING HEATING (THE PUMP MUST BE RUNNING!).**

Code	Description
1	F 2000 Solar collector, 2000 mm x 1000 mm, (2.00 m <sup>2</sup> ), 4x40mm and 4x25mm connection
2	F 1002 Solar collector, 1360 mm x 820 mm, (1.12 m <sup>2</sup> ), connection horizontal 4x40mm
3.1	BIS 20111 Rubber connector 40 mm internal (for manifold connections, fittings)
3.2	BIS 20112 Rubber connector 50 mm internal (for manifold connections, fittings)
4	76927 Pipe 40 mm external (price per mb.)
5	70656 Elbow 90°, 40 mm int.
6	70672 Elbow 45°, 40 mm int.
7	70738 Coupler 40 mm int.
8	70864 PVC plug 32 mm (as plug 40 mm external)
9	70865 PVC blank 40 mm
10	70496 Short reduction 50/40 mm
11	70798 Long reduction 50/40 mm
12	170032 Reduction ext. 50 mm- 1/2" ext. (for air vent)
13	170033 Reduction ext. 50 mm- 3/4" ext. (for air vent)
14	127700 Ball valve 40 mm
15	125462 Ball valve 50 mm
16	70975 Coupling 40 mm for 40 mm hose
17	129635 Controller including ball valve (with knob), with temperature sensor and sun sensor temperature and sun sensor





**PREMIUM EQUIPMENT**

to ensure adequate humidity  
in swimming pool areas

**Dehumidification**

AIR DRYERS.....339  
DEHUMIDIFIERS WITH HEAT RECOVERY.....340

## AIR DRYERS

### STORM

**Product information::**

- Quiet operation 48 dB
- High capacity 2.2-4.3 l/h
- Elegant, slim design: 20 cm
- Easy installation: on the floor or wall
- Air exchanger with epoxy-filled fins

STORM's dehumidification volume reaches up to 4.3 l/h at an ambient temperature of 30°C and a relative humidity of 80%.



	STORM 50	STORM 100	STORM 50	STORM 100
Code	C 590PCF22BD	C 590PCF43BD	C 590PCF22WD	C 590PCF43WD
Colour	Product information: black		biały	biały
Thermal power in [kW]	2.2	4.3	2.2	4.3
Rated output power [kW]	0.93	1.97	0.93	1.97
Maximum input power [kW]	1.02	2.28	1.02	2.28
Ventilation capacity [m3/h]	450	700	450	700
Size H x W x D [mm]	648 x 1.295 x 200	648 x 1.495 x 200	648 x 1.295 x 200	648 x 1.495 x 200
Voltage [V]	230	230	230	230
Approximate water surface in the pool [m <sup>2</sup> ]	42	83	42	83
Assembly	na ścianie / na posadzce			
Drying capacity [litres/day] at 30°C and 70% relative humidity	53	103	53	103
Noise level [dB]	44	48	44	48



## DEHUMIDIFIERS WITH HEAT RECOVERY

Swimming pool dehumidifiers are designed to regulate the level of air humidity in swimming pool rooms and halls. They protect against moisture and corrosion of ambient elements.

### Model 3025T and 5025T

**Product information:**

- Ergonomic housing - can be wall- or floor-mounted
- It has an adjustable air outlet
- The radial fan is characterised by smooth running
- The unit has a very quiet scroll compressor
- Heat exchanger has high corrosion resistance thanks to its plastic coating



Technical data

Description		3025T	5025T
Drying capacity at 30°C/60% rpm.	kg/ 24h	30	58
Heat recovery	kW	1.4	2.7
Nominal power consumption	kW	0.51	0.98
Air flow	m <sup>3</sup> /h	440	740
Unit dimensions H x W x D	mm	1000 x 880 x 300	1000 x 1345 x 300
Weight of the appliance	kg	57	74

### Model 3010T and 5010T

**Product information::**

- Wall-mounted device
- Housing made of glass fibre reinforced plastic
- It has an adjustable air outlet
- Heat exchanger has high corrosion resistance thanks to its plastic coating
- The radial fan is characterised by smooth running



Technical data

Description		3010T	5010T
Drying capacity at 30°C/60% rpm.	kg/ 24h	32	52
Heat recovery	kW	1.8	2.7
Nominal power consumption	kW	0.85	1.24
Air flow	m <sup>3</sup> /h	440	750
Unit dimensions H x W x D	mm	653 x 780 x 255	653 x 1245 x 255
Weight of the appliance	kg	37	58



**MANUAL CLEANING OF THE POOL**

**Ocean® deluxe - surface mesh for dirt**

- Frame made of reinforced PPGF,
- UV-resistant,
- with extra-strong mesh, size 45 x 34 cm



Code	Collective packaging
7301229	25 pcs.

**Ocean® deluxe - bottom debris net**

- frame made of reinforced PPGF,
- UV-resistant,
- with a very finely woven, deep mesh,
- dimension 45 x 34 cm



Code	Collective packaging
7301228	25 pcs.

**Ocean® deluxe - dirt grid with 3-part aluminium rod**

- frame made of reinforced PPGF, UV-resistant,
- very strong mesh,
- lateral integrated dirt collection flaps,
- flat construction with 3-part aluminium rod telescopic pole, 58 - 122 cm in size.



Code	Collective packaging
7301262	6 pcs.

**Ocean® deluxe - wall brush**

- made of PPGF,
- durable and UV-resistant,
- chlorine-resistant bristles,
- dimension 44 cm



Code	Collective packaging
7301234	20 pcs.

**Ocean® deluxe - corner brush**

- robust PPGF body,
- hose connection (d38),
- Special bristles for ABS stair treads and fittings,
- for optimum cleaning of pool corners.



Code	Collective packaging
7301233	50 pcs.

**Cleaning**

MANUAL CLEANING OF THE POOL.....343

SUCTION HOOVERS.....347

CORDLESS HOOVERS.....348

HANDHELD HOOVERS.....349

ELECTRIC HOOVERS.....350

HOOVERS FOR PUBLIC SWIMMING POOLS.....353

## Ocean® deluxe - hand brush

- robust PPGF body,
- UV-resistant,
- ergonomic handle for quick cleaning



Hand brush	
Code	Collective packaging
7301236	40 pcs.
Hand sponge	
Code	Collective packaging
7301235	40 pcs.

## Ocean® deluxe Hoover head - patented ORIGINAL!

- Swivel pool hose connection (d32/d38),
- extremely robust body made of ABS plastic,
- UV-resistant,
- robust bottom and side brushes (optional without side brushes),
- recommended for foil, tiled and prefabricated pools
- prefabricated with maximum dimensions of up to 12 x 6 m.



Head with side brushes	
Code	Collective packaging
7301230	10 pcs.
Head without side brushes	
Code	Collective packaging
7301231	10 pcs.

## Ocean® deluxe - hand Hoover head

- heavy duty type, body in anodised aluminium,
- bottom brushes and rubber lips for optimum suction,
- 4 wheels,
- flexible suction connection (d38),
- designed for cleaning large tile pools of maximum dimensions up to 20 x 10 m, available in 35 and 45 cm sizes.



Head 35cm	
Code	Collective packaging
75587	1 pcs.
Head 45cm	
Code	Collective packaging
75588	1 pcs.

## Ocean® deluxe Ingle flex vac

- Robust and flexible PPGF body, UV-resistant,
- reinforced aluminium handle



With bottom brushes	
Code	Collective packaging
7301250	10 pcs.
With side brushes	
Code	Collective packaging
7301251	10 pcs.

## Ocean® deluxe aluminium telescopic bars

- silver anodised,
- ergonomic, length-adjustable, soft grip handles,
- patented system for easy attachment of Ocean cleaning accessories,
- rod thickness of 1.1 mm ensures long service life.

- **2-part:**  
1,8-3,6m;  
2,4-4,8m;  
3,75-7,5m;
- **3-part:**  
1,2-3,6m;  
1,8-4,8m



Code	Description	Collective packaging
170003	2-part telescopic pole 1,8- 3,6m	10 pcs.
170004	2-part telescopic pole 2,4- 4,8m	10 pcs.
170025	2-part telescopic pole 3,75- 7,5m	10 pcs.
7301087	3-part telescopic pole 1,1- 3,3 m	10 pcs.
170005	3-part telescopic pole 1,2- 3,6m	10 pcs.
170006	3-part telescopic pole 1,8- 4,8m	10 pcs.

## Ocean® deluxe - wall brackets for telescopic rods



Code	Collective packaging
75743	50 pcs.





## SUCTION HOOVERS

**Whaly** - user-friendly design, 2-year manufacturer's warranty

**Product information:**

- The line of hoovers has been designed for above-ground pools
- Fitted with an anti-friction ring that allows you to clean closest to the walls without damaging the film
- Features SmartDrive® navigation system: circular movements for systematic and effective cleaning
- Easy installation in a short time
- Very quiet operation

Code	
900E	Whaly

Whaly



\*9.6 m connection pipe included

**Producer's advice:** it is recommended to use a filter pump with a capacity of at least 6 m<sup>3</sup>/h.



## CORDLESS HOOVERS

FAIRLAND®



Watch the film!-

**10 HOURS 3D-CLEANING**  
X-WARRIOR  
DOUBLE COVERAGE EFFICIENCY

## Fairland X60 Cordless Hoover

### Specification

- Battery life up to 6h
- Control via app
- Filter capacity: 3,2 l
- Speed: 12 m/min
- Cleaning time: 0.5h, 1h or 2h
- Max. pool size: 20m<sup>3</sup>/hour



### Longer service life

- Original full frequency converter technology
- Precise coordination of the 3 motors
- Adjustable suction and running power



### 3D intelligent route S

AI-Wireless 3D S algorithm allows the X60 to run automatically and efficiently for up to 6 hours on a single charge



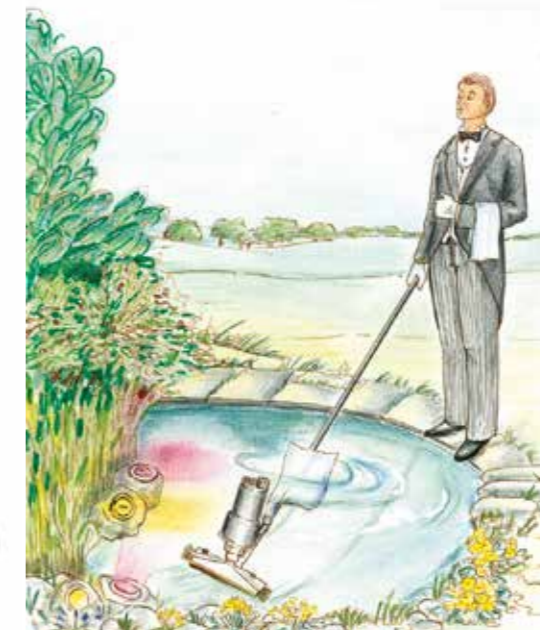
## HANDHELD HOOVERS

### JAMES

Underwater Hoover with integrated pump and large bag for dirt

#### Product information:

- It works independently of the filtration system
- Housing made of environmentally friendly ABS
- Capacity 7 m<sup>3</sup>/h
- Voltage 230 V, 50 Hz
- Cable 18 m
- Filter bag 100 µm



#### Code

60541

**ATTENTION!** Telescopic poles to be ordered separately!

Name	Code	Length [m]	Ø [mm]	Weight [kg]
Telescopic pole 2-part	E 6531	1.5- 3.0	28/32	0.93
Telescopic pole 3-part	E 6541	1.5- 4.5	28/32/36	1.35
Telescopic pole 2-part	E 6551	2.5- 5.0	28/32	1.30

## ACCESSORIES

### Filter bag 100 µm

#### Code

E6054001

**Immersion pump**, max. output 7 m<sup>3</sup>/h 0.4 kW, 230 V, with 18 m cable

#### Code

E6054091

# ELECTRIC HOOVERS



**AquaVac® 650** - The most advanced pool robot, 2-year warranty

Technical data

operating cycle time	2.5 h
weight	9.5 kg
power supply	120V - 240V / 50-60 Hz
cable length	17 m
dimensions	44 x 38 x 32 cm

Code
RCH651CEY



### Intuitive power supply

easy-to-use power supply allows you to select the time and cleaning mode (three options available: bottom, wona line, bottom-wall-water-line).



### Constant suction power

The filter-free SpinTech™ technology designed with 18 hydrocyclones creates a rotating suction spiral, maintaining maximum power until cleaning is complete.



### Easy emptying

TouchFree™ dirt container opens at the touch of a button: no unnecessary filters, bags or dirty hands.



### Smartphone control

The AquaVac 650® robot has a remote control function via your phone. The WiFi app is available for iPhone, iPad and Android devices.



### Adaptation to the surface

The patented HexaDrive™ traction with six robust rollers can be used on any surface.



# AquaShark® - EFFICIENT AND RELIABLE



The AquaShark robot cleans walls, bottom and waterline in 3 hours. Equipped with an Adaptive Seek Control Logic (ASCL) microprocessor, it calculates the shape and size of the pool, ensuring effective cleaning in every nook and cranny. Available with brushes or PVC foam depending on the type of pool. Suitable for private pools up to a maximum size of 6 x 12 m.

**2-year manufacturer's warranty.**

**AquaShark® with brushes**  
dedicated to foil and prefabricated swimming pools



**AquaShark® with foams**  
dedicated to tile and mosaic pools



**Transport trolley**  
allows the robot to be moved and stored quickly and easily



Cart to be ordered separately, not a Hoover set

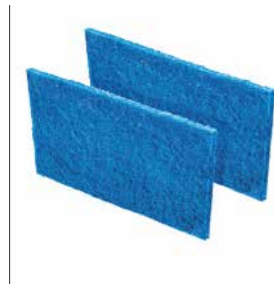
Code	Description
RCA9952GEB	Aquashark hoover with PVC brushes
RC99385	Transport trolley

Technical data

Cable length	Suction power	Cleaning speed	Cleaning surface	Weight of the appliance	Voltage
16,76 m	17 m³/h	18 m/min	5 m²/min	11,4 kg	220V; 50/60 Hz
dimensions of the device	operating cycle	remote control	max. pool size	water temp. max.	
28x41x41	3h	NO	6 x 12 m	35°C	



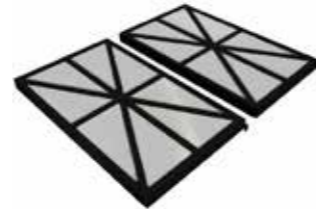
Seasonal starter filter for larger contaminants



Cartridge filter cassette easy to clean and replace



Interchangeable cartridges



Drive belt



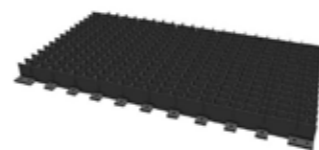
Replaceable foam cleaning brush



Interchangeable roller for cleaning brushes



Interchangeable brush with hooks



Code	Description
RCX70103PAK2	Seasonal starter filter (2 pieces included)
RCX70100	Cartridge filter cassette
RCX70101PAK2	Replacement cartridges- pack contains 2 pcs.
RCX23002	Drive belt
RCX26012	Replacement cleaning brush with foam bearing - 1 pcs.
RCX26003	Replacement roller for cleaning brushes with bearing- 1 pcs.
RCX26008	Replacement brush with hooks, to be wound onto a roll- 1 pcs.

## HOOVERS FOR PUBLIC SWIMMING POOLS

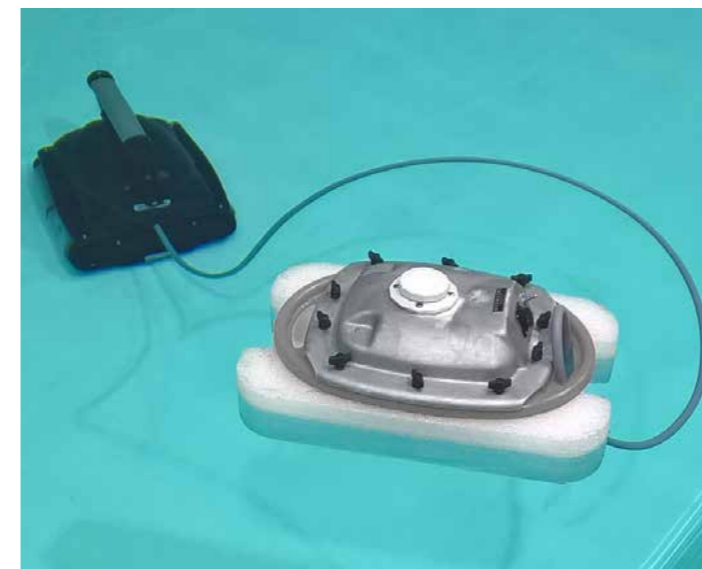
SPOT PRO 100/ 150 XD - Dedicated to hotel pools

Guarantee 2 years



	SPOT PRO 100	SPOT PRO 150 XD
Pool length	up to 25 metres	up to 20 metres
Width of Hoover	40 cm	40 cm
Vacuuming speed	10 to 15 m/min	2.5- 5.0
Suction power	27 m <sup>3</sup> /h	10 do 15 m <sup>3</sup> /min
Cable length	30 m	27 m <sup>3</sup> /h
Waterproof remote control	included	with battery
Transport trolley	included	included
Power supply	110 V-240 V / 24 V DC	included
Battery life	-	3 h
Battery charging time	-	3 h

Code	Description
XYGPSP100	SPOT PRO 100
XYGPSP150	SPOT PRO 150 XD



## PEPS 200 - Dedicated to hotel pools

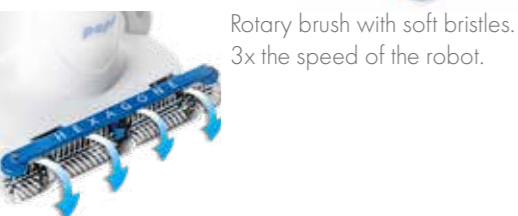
With a touchscreen dashboard, simple to operate and supplied with a waterproof radio remote control.



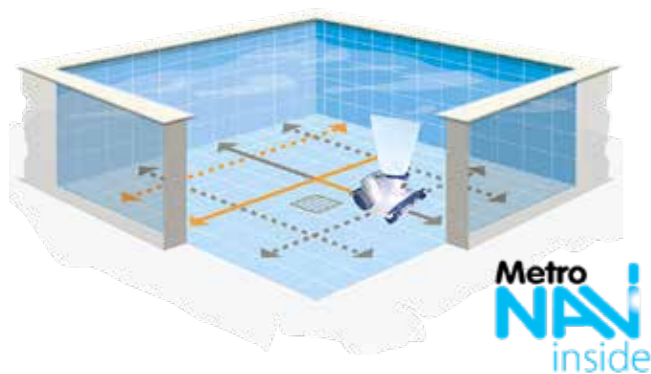
6 choices of filtration sensitivity



Supergrip wheel, direct 2-wheel drive.



Rotary brush with soft bristles. 3x the speed of the robot.



### Metro NAV Navigation System

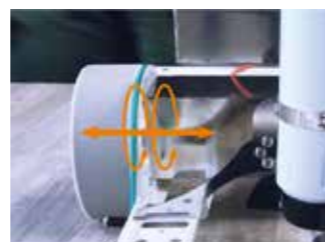
- 45 minutes to clean an 18m pool
- Equipped with infrared for wall detection and gyroscope for motion detection
- Equipped with an 8-function radio remote control, waterproof and shockproof



- Maximum pool inclination 20°
- Basic warranty: 2 years
- Warranty on steel components corrosion protection: 7 years

**Code**  
XYPEPS100VKG

Pool length	up to 25 metrów
Recommended pool volume	200- 250 m <sup>2</sup>
Width of Hoover	40 cm
Vacuuming speed	10 m/min
Suction power	37 m <sup>3</sup> /h
Cable length	30 m (included)
Transport trolley	of stainless steel (included)
Power supply	110 V-240 V / 24 V--



## CHRONO MP3 XL - Dedicated to Olympic-sized swimming pools



Chrono  
**mp3**

Pool length	50/ 60 m
Width of Hoover	75 cm
Vacuuming speed	10 to 18 m/min
Suction power	50 m <sup>3</sup> /h
Cable length	40 m
Transport trolley	included
Power supply	110 V-240 V / 24 V DC

- 5 automatic cleaning modes
- Basic warranty: 2 years
- Warranty on steel components corrosion protection: 7 years

**Code**  
XCMP3XL-STD





## Swimming pool surroundings

SCANDI ROC EDGE STONES.....	358-369
PIERRA EDGE STONES.....	370-386
LEVELLING SYSTEMS FOR SWIMMING POOL BEACHES.....	387
IDEAL PRODUCT LINE - POOL SHOWERS.....	388-416
POOL SHOWERS PRODUCT LINE HAYWARD.....	417-418
SHOWER TRAYS.....	418
SPA FITTINGS.....	419-420
SPA FURNITURE.....	421-429
LIGHTING OF SWIMMING POOL AREAS AND RELAXATION ZONES.....	430-440



# SCANDI-ROC EDGE STONES



## Kiruna collection

Kiruna is available in a wide range of colours. The matte surface of the stones provides a sense of comfort while also providing non-slip properties.

KIRUNA								
Colour	#16 Mountain Grey	#19 Diamond Grey	#20 Baltic Light Grey	#17 Mountain Black	#18 Soft Sand	#24 Golden Brown	#23 Kashmir Cream	#25 Shadow Grey
Material	Granitee	Granitee	Granitee	Basalt	Granitee	Travertine	Travertine	Travertine
	<b>Code:</b> 1020600 straight edge stone 600x300x30mm		<b>Code:</b> 1020100 radius 1,00m					
<b>Code:</b> 1020125 arc, radius 1,25m	<b>Code:</b> 1020150 arc, radius 1,50m	<b>Code:</b> 1020175 arc, radius 1,75m	<b>Code:</b> 1020210 arc, radius 2,10m	<b>Code:</b> 1020250 arc, radius 2,50m				
<b>Code:</b> 1020300 arc, radius 3,00m	<b>Code:</b> 1020350 arc, radius 3,50m	<b>Code:</b> 1020112 inner corner radius 135mm	<b>Code:</b> 1020113 inner corner 90°	<b>Code:</b> 1020114 Inner corner radius 300mm				
<b>Code:</b> 1020122 inner corner 90°	<b>Code:</b> 1020123 outside corner right roman staircase radius 1,50m	<b>Code:</b> 1020124 outside corner left roman staircase radius 1,50m						

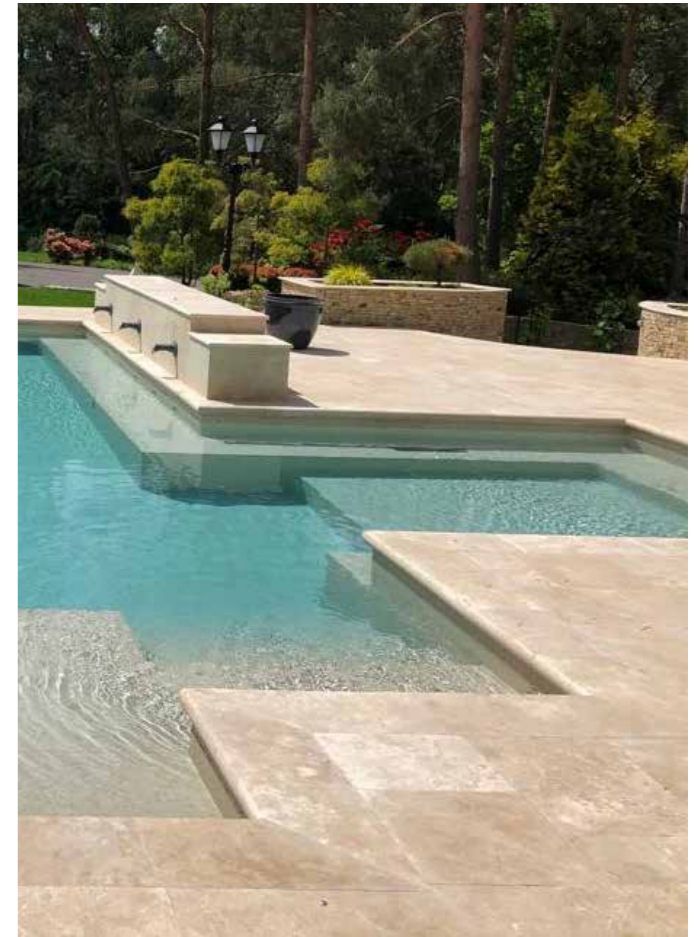
**Code configuration when placing orders:**  
product-colour code

**EXAMPLE:**  
1. Straight edge stone, 600x300x30mm Kiruna line  
2. Colour Baltic Light Grey  
code: 1020600-20

1. **Code:** 1020600  
straight edge stone  
600x300x30mm

2. **#20**  
Baltic Light Grey  
**Granitee**

Kashmir Cream



Kashmir Cream

Mountain Grey



## Terrace boards

KIRUNA								
Colour	#16 Mountain Grey	#19 Diamond Grey	#20 Baltic Light Grey	#17 Mountain Black	#18 Soft Sand	#24 Golden Brown	#23 Kashmir Cream	#25 Shadow Grey
Material	Granitee	Granitee	Granitee	Basalt	Granitee	Travertine	Travertine	Travertine

<b>Code:</b> 1021600 600x600x30mm	<b>Code:</b> 1021300 600x300x30mm

Your pool can be made even more beautiful with the rounded L-profile, which hides the connection and transition from the pool to the edge, creating the illusion of a higher water level and therefore a beautiful visual experience.

NAPOLI								
Colour	#16 Mountain Grey	#19 Diamond Grey	#20 Baltic Light Grey	#17 Mountain Black	#18 Soft Sand	#24 Golden Brown	#23 Kashmir Cream	#25 Shadow Grey
Material	Granitee	Granitee	Granitee	Basalt	Granitee	Travertine	Travertine	Travertine
				<b>Code:</b> 1027600 straight edge stone 600x330x30mm L-profile 60mm 		<b>Code:</b> 1027100 arc, radius 1,00m 		
<b>Code:</b> 1027125 arc, radius 1,25m 	<b>Code:</b> 1027150 arc, radius 1,50m 	<b>Code:</b> 1027175 arc, radius 1,75m 	<b>Code:</b> 1027210 arc, radius 2,10m 	<b>Code:</b> 1027250 arc, radius 2,50m 				
<b>Code:</b> 1027300 arc, radius 3,00m 	<b>Code:</b> 1027350 arc, radius 3,50m 	<b>Code:</b> 1027112 inner corner radius 145mm 	<b>Code:</b> 1027113 inner corner. 90° 	<b>Code:</b> 1027114 inner corner. radius 300mm 				
<b>Code:</b> 1027122 outer corner 90° 	<b>Code:</b> 1027123 outside corner right roman staircase radius 1,50m 	<b>Code:</b> 1027124 outside corner left roman staircase radius 1,50m 						

Terrace boards

NAPOLI								
Colour	#16 Mountain Grey	#19 Diamond Grey	#20 Baltic Light Grey	#17 Mountain Black	#18 Soft Sand	#24 Golden Brown	#23 Kashmir Cream	#25 Shadow Grey
Material	Granite	Granite	Granite	Basalt	Granite	Travertine	Travertine	Travertine
<b>Code:</b> 1021600 600x600x30mm 				<b>Code:</b> 1021300 600x300x30mm 				

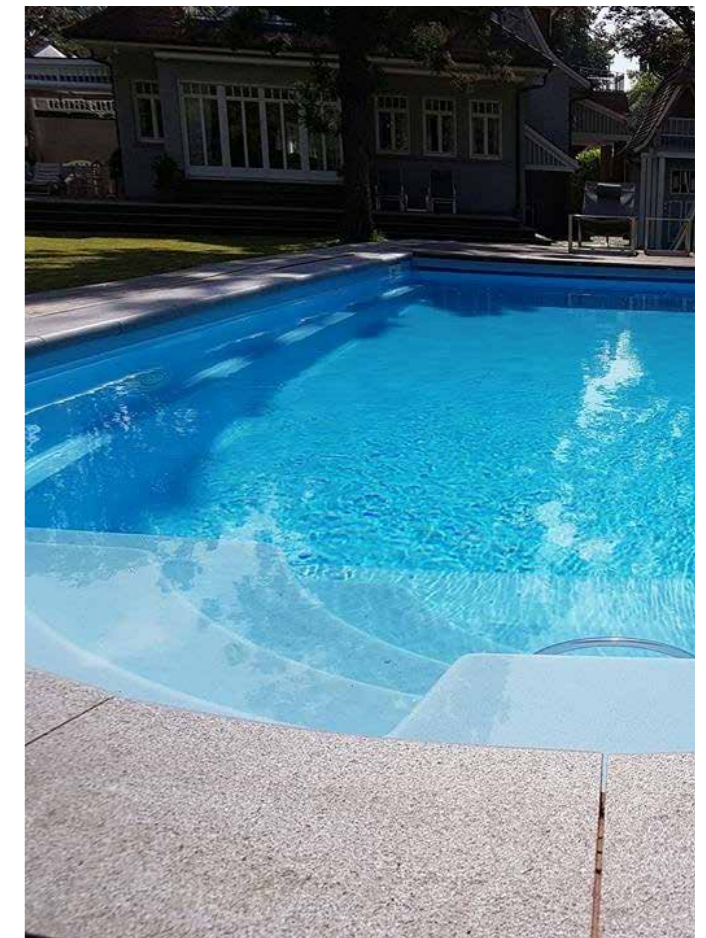
Mountain Black



Mountain Grey



Mountain Grey



Mountain Grey



**Modena collection**

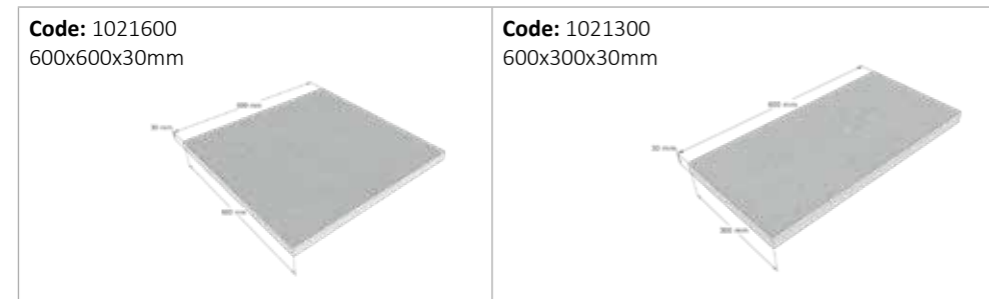
Modena is an exclusive natural stone with a light and elegant appearance. The beautiful surfaces and machined edges offer a wide range of visual experiences. The natural shades emphasise the simplicity of this stone and give the pool environment a Scandinavian minimalism.

MODENA	#16	#19	#20	#18	#24	#23	#25
Colour	Mountain Grey	Diamond Grey	Baltic Light Grey	Soft Sand	Golden Brown	Kashmir Cream	Shadow Grey
Material	Granite	Granite	Granite	Granite	Travertine	Travertine	Travertine



**Terrace boards**

MODENA	#16	#19	#20	#17	#18	#24	#23	#25
Colour	Mountain Grey	Diamond Grey	Baltic Light Grey	Mountain Black	Soft Sand	Golden Brown	Kashmir Cream	Shadow Grey
Material	Granite	Granite	Granite	Basalt	Granite	Travertine	Travertine	Travertine



Mountain Grey

Mountain Grey



**Sydney collection**

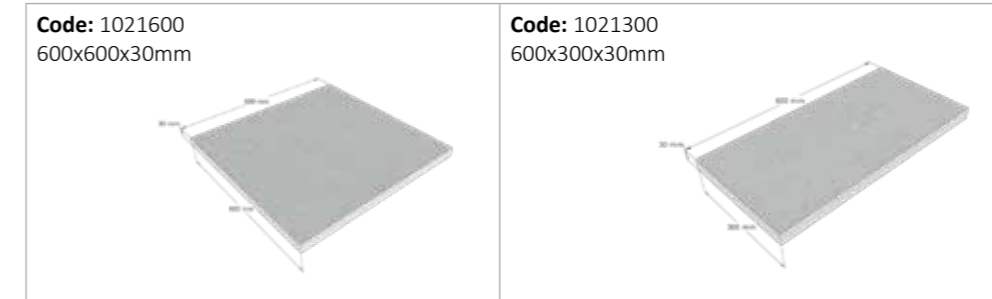
The effect of the L-profile plunging into the pool is a sheer delight to the eye and complements the gentle ripples in the pool perfectly.

SYDNEY	#16	#19	#20	#18
Colour	Mountain Grey	Diamond Grey	Baltic Light Grey	Soft Sand
Material	Granite	Granite	Granite	Granite



**Terrace boards**

SYDNEY	#16	#19	#20	#17	#18	#24	#23	#25
Colour	Mountain Grey	Diamond Grey	Baltic Light Grey	Mountain Black	Soft Sand	Golden Brown	Kashmir Cream	Shadow Grey
Material	Granite	Granite	Granite	Basalt	Granite	Travertine	Travertine	Travertine



Soft Sand

Diamond Grey



Maranello collection

An innovative, low-maintenance ceramic stone with an elegant appearance. The front ends and polished finish provide a luxurious effect and a comfortable grip when you hold on to the edge or rest your feet in the pool.

MARANELLO			
Colour	#30 Ivory White	#31 Dusty Grey	#32 Dusty Black
Material	Glaze	Glaze	Glaze
	<b>Code:</b> 1040600 straight edge stone 600x330x20mm	<b>Code:</b> 1040100 arc, radius 1,00m	
<b>Code:</b> 1040125 arc, radius 1,25m	<b>Code:</b> 1040150 arc, radius 1,50m	<b>Code:</b> 1040175 arc, radius 1,75m	<b>Code:</b> 1040210 arc, radius 2,10m
<b>Code:</b> 1040250 arc, radius 2,50m	<b>Code:</b> 1040300 arc, radius 3,00m	<b>Code:</b> 1040350 arc, radius 3,50m	<b>Code:</b> 1040113 inner corner. 90°
<b>Code:</b> 1040112 inner corner. promień 150mm	<b>Code:</b> 1040114 inner corner. promień 270mm		
<b>Code:</b> 1040122 outer corner 90°	<b>Code:</b> 1040123 outside corner right roman staircase radius 1,50m	<b>Code:</b> 1040124 outside corner left roman staircase radius 1,50m	

Terrace boards

MARANELLO			
Colour	#30 Ivory White	#31 Dusty Grey	#32 Dusty Black
Material	Glaze	Glaze	Glaze

**Code:** 1044600  
600x600x20mm

Dusty Grey



Firenze collection

Experience luxury with this contemporary ceramic stone that adds a unique aesthetic to your pool surroundings. The L-profile that sinks into the pool creates a stylish landscape that you will never want to change.

FIRENZE							
Colour	#34 Nordic Dark Grey	#40 Nordic Light Sand	#35 Luna Pearl	#39 Luna Steel	#36 Royal Black	#37 Royal Grey	#38 Golden Amber
Material	Glaze	Glaze	Glaze	Glaze	Glaze	Glaze	Glaze
	<b>Code:</b> 1042600 straight edge stone 600x295x20mm	<b>Code:</b> 1042115 inner corner. radius 45°					
<b>Code:</b> 1042125 outer corner radius 45°	<b>Code:</b> arc, radius 1,50m	<b>Code:</b> terrace slab 60x60x2cm					

Terrace boards

MARANELLO			
Colour	#30 Ivory White	#31 Dusty Grey	#32 Dusty Black
Material	Glaze	Glaze	Glaze

**Code:** 1044600  
600x600x20mm

Dusty Grey



Dusty Black



Ivory White



**Athen**

Rustic stone concrete brick made in an L-shape, creating a beautiful finish. The natural shades of the series will enhance any pool environment.

ATHEN			
Colour	#01 Off-White	#07 Grey	#05 Antracit Black
Material	Concrete	Concrete	Concrete

		<b>Code:</b> 1014500 straight edge stone L-Profil 55mm 500x300x35mm	<b>Code:</b> 1014100 arc, radius 1,00m
<b>Code:</b> 1014150 arc, radius 1,5m	<b>Code:</b> 1014175 arc, radius 1,75m	<b>Code:</b> 1014210 arc, radius 2,1m	<b>Code:</b> 1014250 arc, radius 2,50m
<b>Code:</b> 1014300 arc, radius 3,00m	<b>Code:</b> 1014513 inner corner. 90° 500x300x35mm	<b>Code:</b> 1014522 outer corner 90°	

Off-White



Off-White



**Nevada collection**

Create a unique atmosphere in which the raw quality of northern Europe is fully exposed. In this series, the redesigned and rounded L-profile, balances out the rustic character of raw concrete.

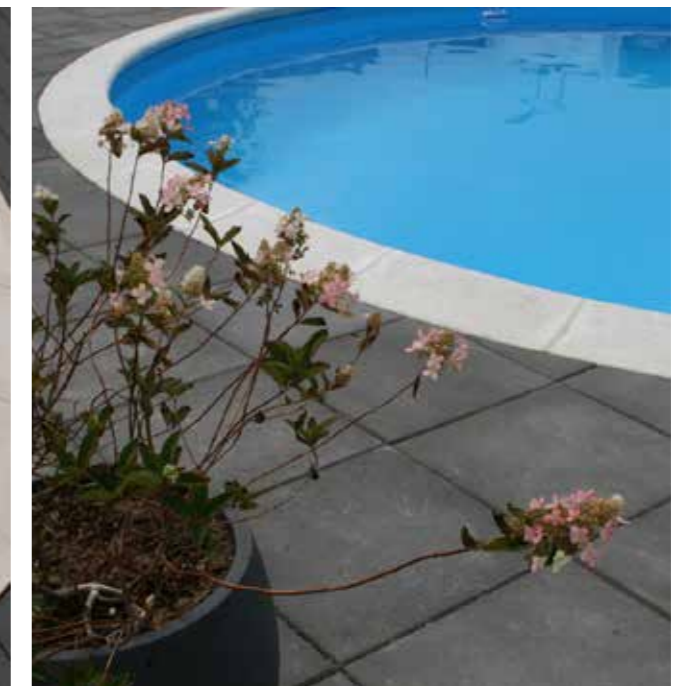
NEVADA			
Colour	#01 Off-White	#07 Grey	#05 Antracit Black
Material	Concrete	Concrete	Concrete

		<b>Code:</b> 1019500 straight edge stone L-Profile 50mm 500x300x35mm	<b>Code:</b> 1019100 arc, radius 1,00m
<b>Code:</b> 1019120 arc, radius 1,2m	<b>Code:</b> 1019150 arc, radius 1,5m	<b>Code:</b> 1019175 arc, radius 1,75m	<b>Code:</b> 1019210 arc, radius 2,10m
<b>Code:</b> 1019250 arc, radius 2,50m	<b>Code:</b> 1019300 arc, radius 3,00m	<b>Code:</b> 1019513 inner corner. 90°	<b>Code:</b> 1019522 outer corner 90°

Off-White



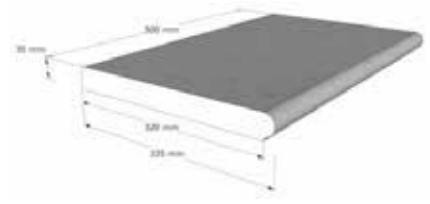
Antracit Black



**Sparta**

SPARTA offers a wide range of edge stones with warm light tones and smooth surfaces.

Sparta		
Colour	#21 Indian White	#22 Indian Beige
Material	Concrete	Concrete

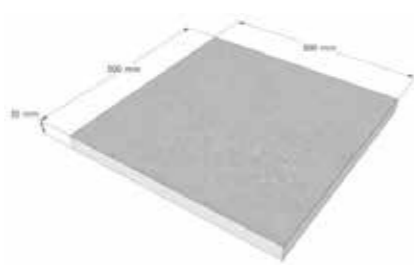
		<b>Code:</b> 1023500 straight edge stone 500x320x35mm	<b>Code:</b> 1023060 arc, radius 0,60-4m	
<b>Code:</b> 1023151 convex curve, radius 1,5m	<b>Code:</b> 1023113 corner 90°	<b>Code:</b> 1040175 corner 90°, front radius 135mm	<b>Code:</b> 1023122 corner 90°	<b>Code:</b> 1023123 outside corner right roman staircase radius 1,50m
<b>Code:</b> 1023124 outside corner left roman staircase radius 1,50m				

**Terrace boards**

**Olympia Collection**

A terrace slab that, together with the SPARTA edge stone, perfectly complements the pool surroundings, leaving them with a hint of southern spirit and charm.

Olympia		
Colour	#21 Indian White	#22 Indian Beige
Material	Concrete	Concrete

<b>Code:</b> 1024500 50x50x3.5mm	
-------------------------------------	---

Indian White



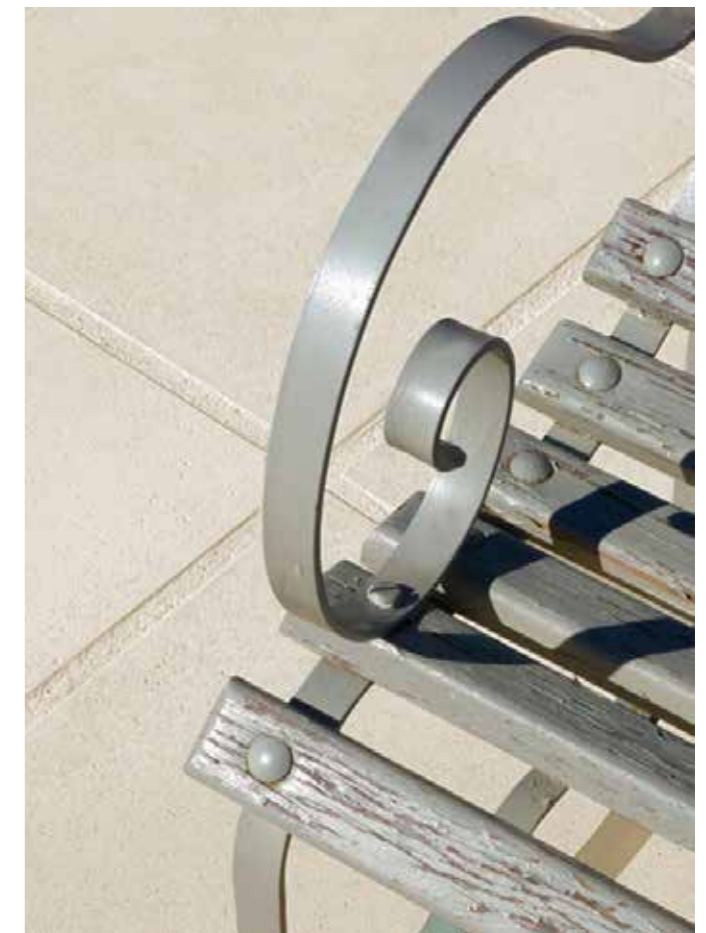
Indian Beige



Indian Beige



Indian White



# FLAT STONES RUSTIQUE BULLÉE



## Straight stone



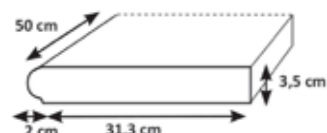
Ton Pierre



Gris



**Attention!** The shades of the stones may vary (conglomerate - natural stone without the addition of dyes). This does not constitute grounds for a complaint. To even out the colour we recommend using PIERRA impregnation.



Code	Dimensions (mm) L x W	Colour
MP33	330 x 500	Ton Pierre
MP33G	330 x 500	Gris

## Inner corner r = 150 mm



## Inner corner 90°



## Arc



Code	Dimensions (mm) L x W	Colour
MAP3315	500 x 500	Ton Pierre
MAP3315G	500 x 500	Gris

Code	Dimensions (mm) L x W	Colour
MAP3315V	500 x 500	Ton Pierre
MAP3315VG	500 x 500	Gris

Code	Dimensions (mm) L x W	Colour
MCP33 + Radius	330 x 500	Ton Pierre
MCP33 + Radius + G*	330 x 500	Gris

\* MCP33150G - Example of code for curve in colour GRIS with radius 150

available radii (cm): 50, 61, 75, 100, 122, 135, 150, 200, 250, 300, 500

## Fugue



Code	Description	Colour
PJODA	25 kg	Ton Pierre
PJODAG	25 kg	Gris

## Stone impregnating agent



- Consumption: 1 l for 15 to 20 m<sup>2</sup> for 1 coat / 1 l for 8 to 12 m<sup>2</sup> for 2 coats
- Apply with a roller or sprayer to a clean, dry and non-heated floor
- Avoid stagnation of the product in the joints (joints) of the pavement
- Rinse and leave dry

Code	Description
TRA15N	5l

Rustique Bulée - wave-shaped stone 32, 25 cm wide, 50 cm long, 3.5/6.2 cm thick

## Straight stone



Code	Dimensions (mm) L x W	Colour
MD32	320 x 500	Ton Pierre
MD25	250 x 500	Ton Pierre

## Inner corner 90°



Code	Dimensions (mm) L x W	Colour
MA32V	500 x 500	Ton Pierre

## Inner corner r = 150 mm



Code	Dimensions (mm) L x W	Colour
MA3215	320 x 500	Ton Pierre

## Inner corner r = 100 mm



Code	Dimensions (mm) L x W	Colour
MA2510	250 x 500	Ton Pierre

## External corner for stairs r = 1500 mm



Code	Dimensions (mm) L x W	Colour
MA32ID	320 x 500	Ton Pierre

## Arc



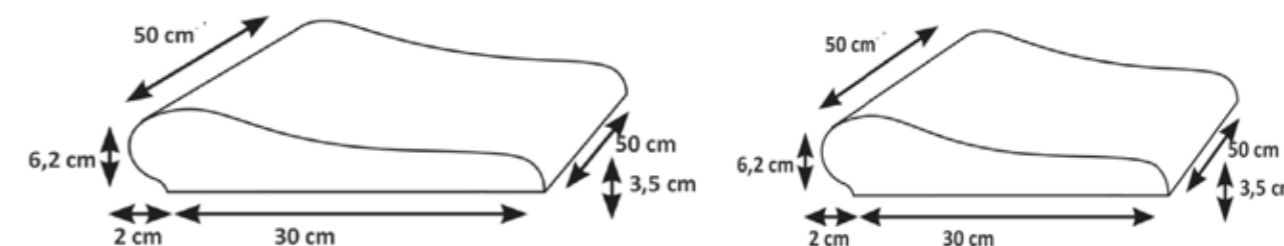
Code	Dimensions (mm) L x W	Colour
MC32+ Radius	320 x 500	Ton Pierre
MC25+ Radius	250 x 500	Ton Pierre

>dostępne promienie (cm): 50, 61, 75, 100, 122, 135, 150, 200, 250, 300, 500

## Skimmer stone



Code	Dimensions (mm) L x W	Colour
DACOSKIRB	265 x 265	Ton Pierre
DACOSKIRBG	265 x 265	Gris



## PRUSTIQUE BULLÈE PLATE

PIERRA



Ton Pierre



Gris



Code	Dimensions (mm) L x W	Colour
DA502	500 x 500 x 25	Ton Pierre
DA502G	500 x 500 x 25	Gris
DA50	500 x 500 x 35	Ton Pierre
DA50G	500 x 500 x 35	Gris

## NOVASCHISTE

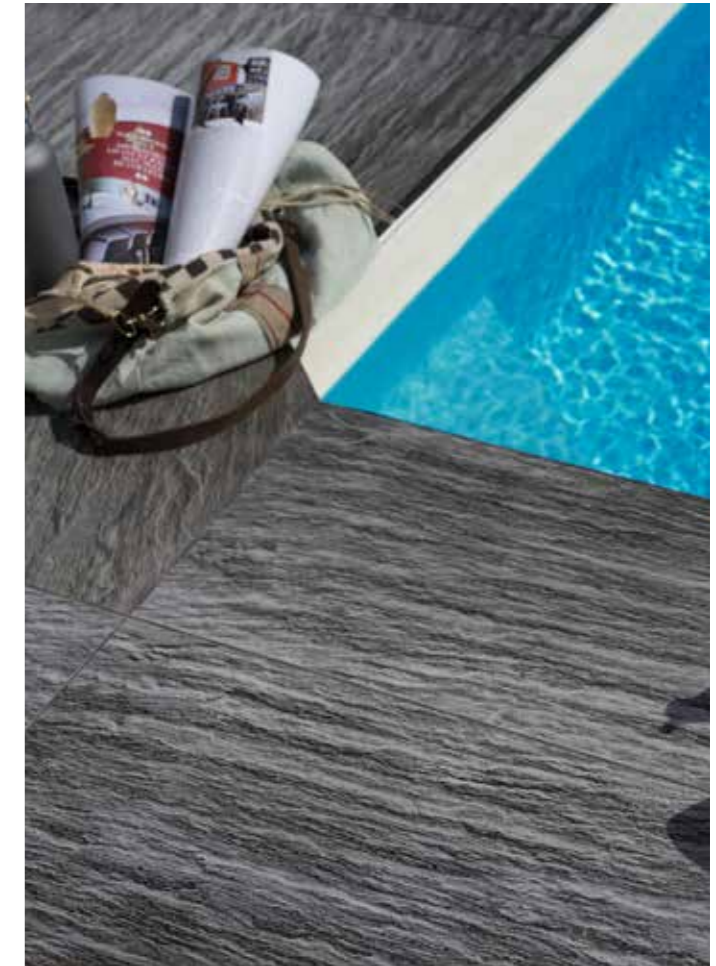
PIERRA



Gris



Anthracite



Code	Description	Dimensions (L x W)	Colour
<b>Thickness 3 cm</b>			
310297	Straight edge stone	66 x 33 cm	Gris
310678	Corner stone ext.	45 x 33 cm	Gris
311653	External corner stone	33 x 33 cm	Gris
<b>Thickness 3,5 cm</b>			
310301	Straight edge stone	66 x 33 cm	Anthracite
310759	Corner stone ext.	45 x 33 cm	Anthracite
311305	External corner stone	33 x 33 cm	Anthracite

## VOLCANIK

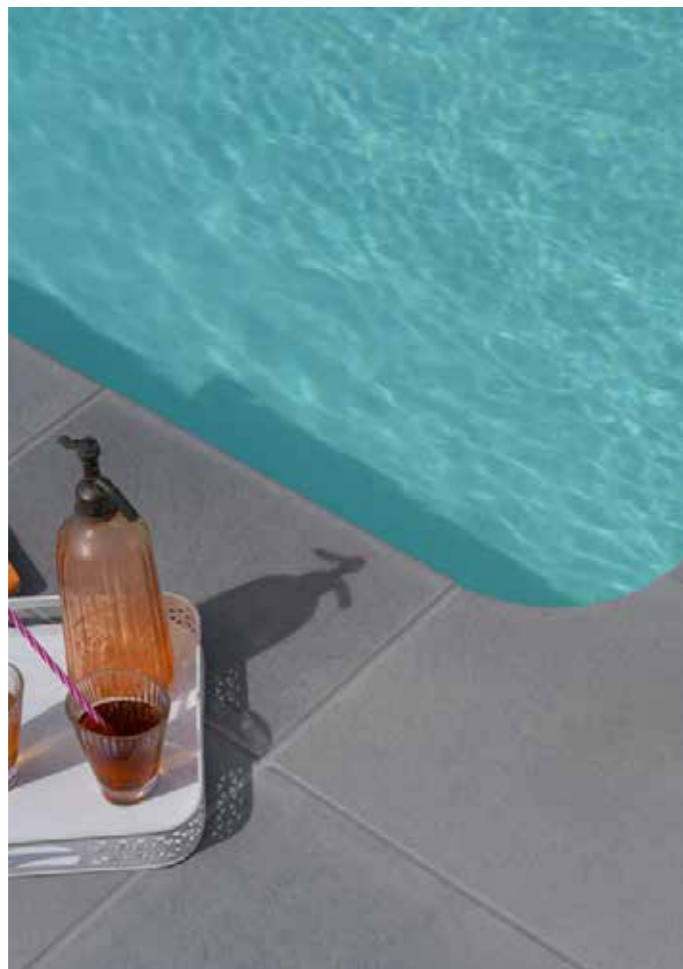
PIERRA



Gris



Sable



Code	Description	Dimensions (L x W)	Colour
Thickness 3,5 cm			
310404	Straight edge stone	50 x 30 cm	Gris
310942			Sable
310768	Corner with radius 150	44,5 x 30 cm	Gris
311261			Sable

## GHISA

PIERRA



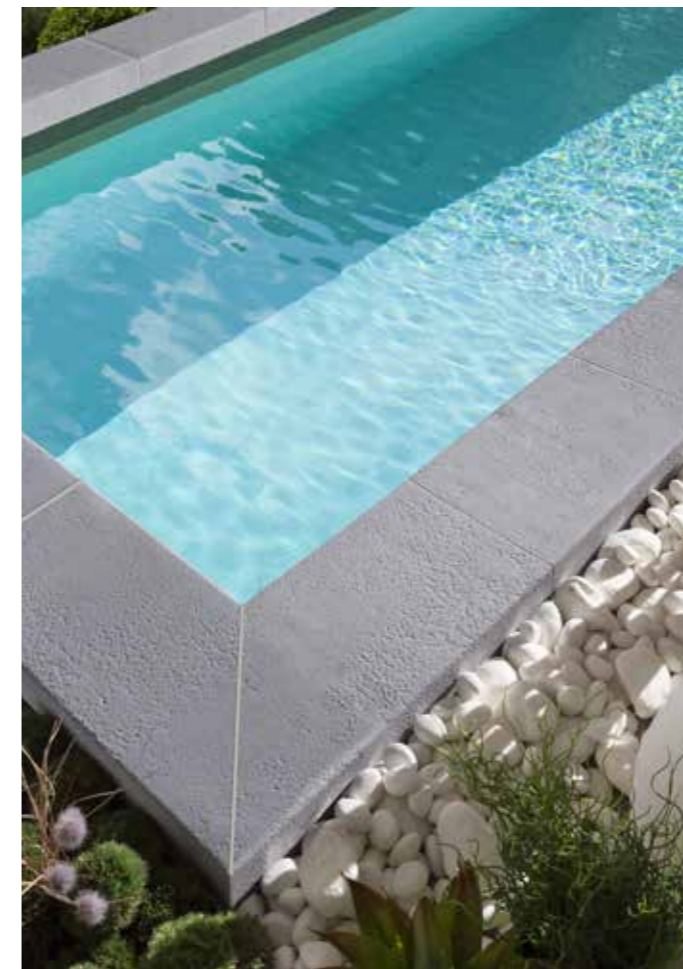
Ton pierre



Gris nuancé



Métal



Code	Description	Dimensions (L x W)	Colour
Thickness 5 cm			
310634	Straight edge stone	60 x 35 cm	Ton pierre
310474			Gris nuancé
313599			Métal

# TOSCANE



Blanc argenté

Gris

Sable doré

Ocre



# EXCELLENCE



Miel

Taupe

Gris



Code	Description	Dimensions (L x W)	Colour
<b>Thickness 3 cm</b>			
310404	Straight edge stone	60,8 x 30,2 cm	Sable doré
310942			Blanc argenté
310768			Ocre
311261			Gris
311138	Inner corner. - Radius 25	40,5 x 30,2 cm	Sable doré
311002			Blanc argenté
311161			Ocre
311025			Gris
311355	External corner stone	30,2 x 30,2 cm	Sable doré
311780			Blanc argenté
311788			Ocre
311784			Gris
311354	Arc - Radius 150	Width 30,2 cm	Sable doré
311790			Blanc argenté
311800			Ocre
311794			Gris

Code	Description	Dimensions (L x W)	Colour
<b>Thickness 3 cm</b>			
311593	Straight edge stone	74 x 30 cm	Miel
310789			Taupe
310871			Gris
311551	Inner corner.	49,8 x 30 cm	Miel
311555			Taupe
311229	External corner stone	30 x 30 cm	Gris
311565			Miel
311569			Taupe
311559	Arc - Radius 150	55,8 x 30 cm	Gris
311579			Miel
310946			Taupe
311573			Gris



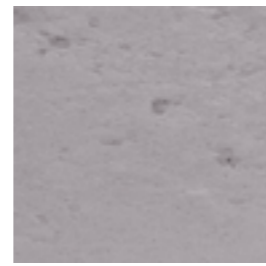
Ton pierre nuancé



Rose provence



Guyenne



Gris

Guyenne



Gris



Guyenne



Ton pierre nuancé



Code	Description	Dimensions (L x W)	Colour
Thickness 3,5 cm			
310169	Modular edge stone A complete module consists of 3mb of stone	33 x 39 cm, 66 x 39 cm	Ton pierre nuancé
311515		58 x 39 cm, 41 x 39 cm	Rose provence
310758		45 x 39 cm, 39 x 39 cm 54 x 39 cm	Guyenne

	Code	Description	Dimensions (L x W)	Colour
	310456	Inner corner.	56,5 x 56,5 cm - Radius 20	Ton pierre nuancé
	313472			Rose provence
	311152			Guyenne
	311213	External corner stone	39 x 39 cm	Ton pierre nuancé
	313349			Rose provence
	313345			Guyenne
	311092	External corner of roman staircase Right	53,5 x 39 cm - Radius 150	Ton pierre nuancé
	313027			Rose provence
	313025			Guyenne
	311091	External corner of roman staircase Left	53,5 x 39 cm - Radius 150	Ton pierre nuancé
	313167			Rose provence
	313165			Guyenne

	Code	Description	Dimensions (L x W)	Colour
<p>Dedicated to swimming pools existing</p>	310691	Plinth	33 x 39 cm, 66 x 39 cm, 58 x 39 cm, 41 x 39 cm, 45 x 39 cm, 54 x 39 cm - Grubość 6 cm A complete module consists of 3mb of stone	Ton pierre nuancé
	311424			Gris
<p>swimming pools built</p>	310410	Plinth with slope	MANUFACTURED TO ORDER 50 x 35 cm - Thickness 6 cm + 3.5 cm slope	Ton pierre nuancé
	310543			Gris
	310936	Inner drop corner	35 x 35 cm - Thickness 6 cm	Ton pierre nuancé
	311194			Gris
	310805	Stone	60 x 30 cm - Thickness 10 cm	Ton pierre nuancé
	310729			Gris

Description	Dimensions (L x W)	Colour	Code
	50 x 39 cm - Radius 61	Ton pierre nuancé	313170
		Rose provence	313424
		Guyenne	313418
	50 x 39 cm - Radius 122	Ton pierre nuancé	310971
		Rose provence	313372
		Guyenne	312926
	50 x 39 cm - Radius 150	Ton pierre nuancé	310660
		Rose provence	312976
		Guyenne	313374
	50 x 39 cm - Radius 200	Ton pierre nuancé	310653
		Rose provence	312948
		Guyenne	313382
	50 x 39 cm - Radius 300	Ton pierre nuancé	313156
		Rose provence	313396
		Guyenne	313036
	50 x 39 cm - Radius 400	Ton pierre nuancé	313040
		Rose provence	313406
		Guyenne	313158
	50 x 39 cm - Radius 500	Ton pierre nuancé	313042
		Rose provence	313414
		Guyenne	313162
	50 x 39 cm - Radius 61	Ton pierre nuancé	313044
		Rose provence	313422
		Guyenne	313168
	50 x 39 cm - Radius 150	Ton pierre nuancé	311047
		Rose provence	313146
		Guyenne	313376
	50 x 39 cm - Radius 200	Ton pierre nuancé	313386
		Rose provence	313150
		Guyenne	313384
	50 x 39 cm - Radius 300	Ton pierre nuancé	312978
		Rose provence	313394
		Guyenne	313154
	50 x 39 cm - Radius 400	Ton pierre nuancé	313160
		Rose provence	313404
		Guyenne	312934
	50 x 39 cm - Radius 500	Ton pierre nuancé	313164
		Rose provence	313412
		Guyenne	312980

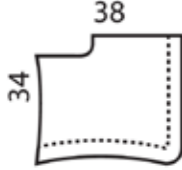




Ton pierre nuancé

Gris



Description	Dimensions (L x W)	Colour	Code
	50 x 35 cm	Ton pierre nuancé	310096
		Gris	310383
	50 x 35 cm - Radius 15	Ton pierre nuancé	310354
		Gris	310777
	50 x 35 cm	Ton pierre nuancé	310575
		Gris	311009
	35 x 35 cm	Ton pierre nuancé	311030
		Gris	313562

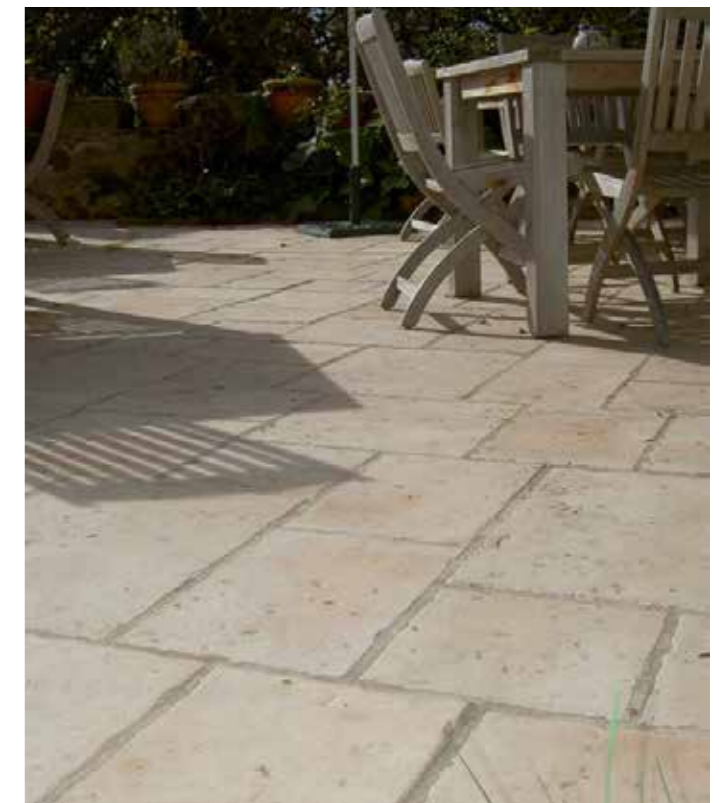
	Description	Dimensions (L x W)	Colour	Code
	External corner of roman staircase Right	50 x 35 cm - Radius 150	Ton pierre nuancé	311087
			Gris	311343
	External corner of roman staircase Left	50 x 35 cm - Radius 150	Ton pierre nuancé	311088
			Gris	311270
	Concave inner arch	50 x 35 cm - Radius 122	Ton pierre nuancé	310862
			Gris	311089
	Concave inner arch	50 x 35 cm - Radius 150	Ton pierre nuancé	310676
			Gris	313557
	Concave inner arch	50 x 35 cm - Radius 200	Ton pierre nuancé	310730
	Concave inner arch	50 x 35 cm - Radius 250	Ton pierre nuancé	310784
			Gris	312518
	Concave inner arch	50 x 35 cm - Radius 400	Ton pierre nuancé	310683
	Concave inner arch	50 x 35 cm - Radius 500	Ton pierre nuancé	310761
	Convex outer curve	50 x 35 cm - Radius 150	Ton pierre nuancé	311099
			Gris	313443
	Convex outer curve	50 x 35 cm - Radius 200	Ton pierre nuancé	313541
	Skimmer stone with cover	26,5 x 26,5 x 3,5 cm	Ton pierre nuancé	310841
			Gris	311264
	Cover for skimmer	diameter 22 cm, height 2 cm	Ton pierre nuancé	312578
			Gris	312568



Colombier



Gris perle



Code	Description	Dimensions (L x W)	Colour
Thickness 3,5 cm			
310289	Straight edge stone	50 x 32 cm	Colombier
310377			Gris perle
310760	Inner corner.	50 x 32 cm	Colombier
310844			Gris perle
311058	External corner stone	32 x 32 cm	Colombier
311071			Gris perle
310659	Inner arch.	Radius 150, width 32 cm	Colombier
311016			Gris perle

# LUNA



Blanc



Gris



Sable



Code	Description	Dimensions (L x W)	Colour
<b>Thickness 3 cm</b>			
310481	Straight edge stone	49,5 x 33 cm	Blanc
310362			Gris
310242			Sable
310898	Inner corner. - Radius 15	48 x 33 cm	Blanc
310834			Gris
310698			Sable

## LEVELLING SYSTEMS FOR SWIMMING POOL BEACHES, TERRACES AND FOUNTAINS

A unique and very simple system, it allows for simple installation. High-quality plastic that can withstand loads of up to 1,000 kg, making it unbeatable in terms of both quality and price. Can be installed indoors and outdoors. Adjustable brackets are used to set the height of the bases for the Terrace boards with absolute precision.

**Adjustable bracket** - Head Ø - 15cm, base Ø - 20cm



Code	Height
K-A05	18-25mm



Code	Height
K-A0	28-40mm



Code	Height
K-A1	36-51mm



Code	Height
K-A2	52-82mm



Code	Height
K-A3	82-135mm



Code	Height
K-A4	133-225mm



Code	Height
K-A5	189-293mm



Code	Height
K-A6	260-365mm



Code	Height
K-A7	364-507mm



### Accessories



Spacer sleeve  
180mm



Wall joint wedge



Rubber pad under  
the bracket



Rubber pad under  
the bracket



Slope corrector 1%



Slope corrector 2%



Clamping  
ring



Head

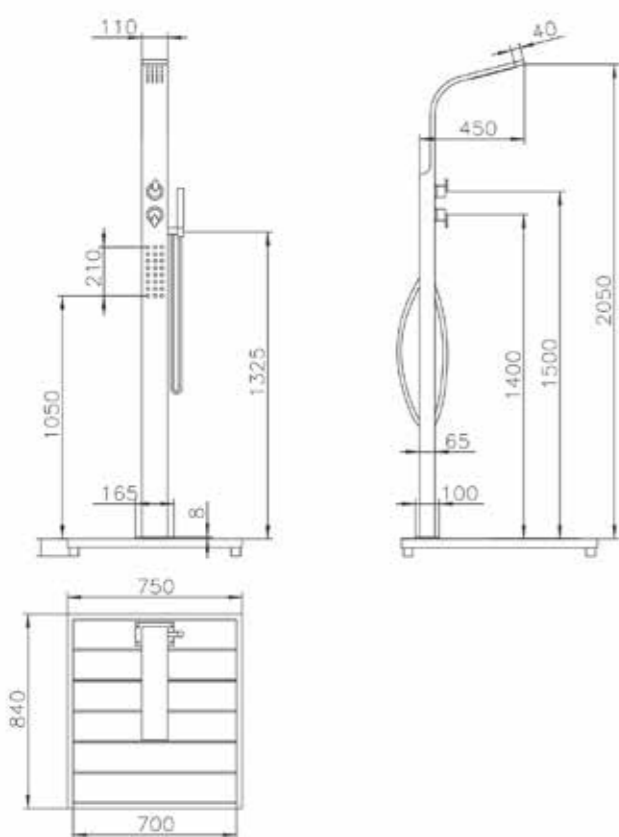


Grout  
cross



Replacement  
grout for  
brackets

**HELENA**



**Code**  
70 65 02

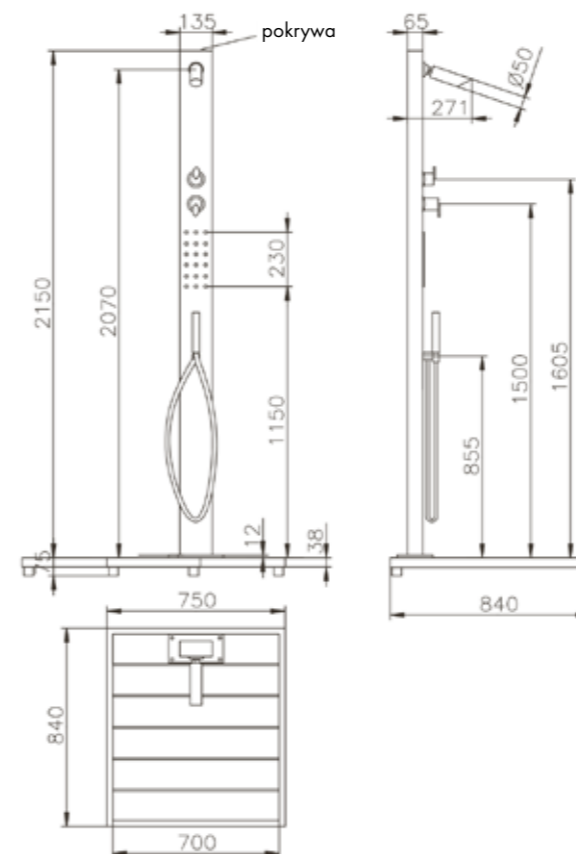
Product information:

Material	Stainless steel V2A
Type	cold and hot water
Equipment	Rain shower, hand shower, head shower
Armature	chrome-plated brass
Water connection	Flexible hoses, cold and hot water under the platform, GW 2 x ½"
Weight	33 kg
Floor plate	wood imitation composite WPC (Wood- Plastic- Composite) with steel frame (colour sand-coloured)
Type of water control	shower mixer

**Waste water drain to floor slab** 755x845mm

**Code**  
706790

**MALTA**



**Code**  
70 65 03

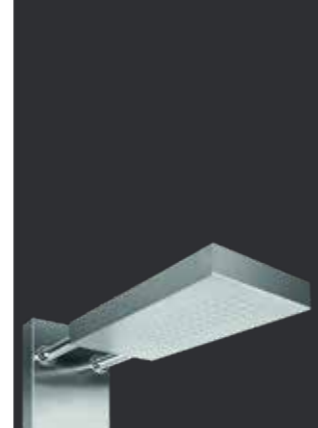
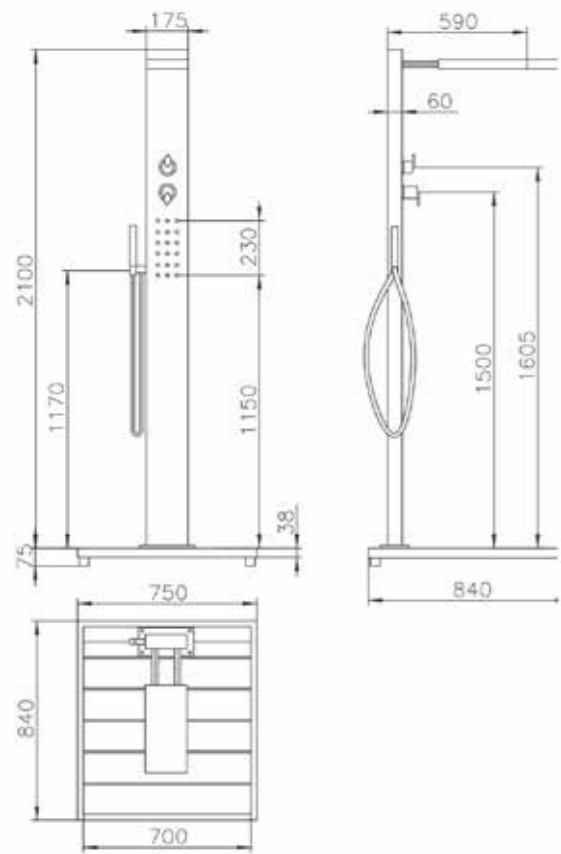
Product information:

Material	Stainless steel V2A
Type	cold and hot water
Equipment	rain shower, hand shower shower, front shower
Armature	chrome-plated brass
Water connection	Flexible hoses, cold and hot water under the platform, GW 2 x ½"
Weight	37 kg
Floor plate	wood imitation composite WPC (Wood- Plastic-Composite) with steel frame (colour sand)
Type of water control	shower mixer

**Waste water drain to floor slab** 755x845mm

**Code**  
706790

ELBA



**Code**  
706501

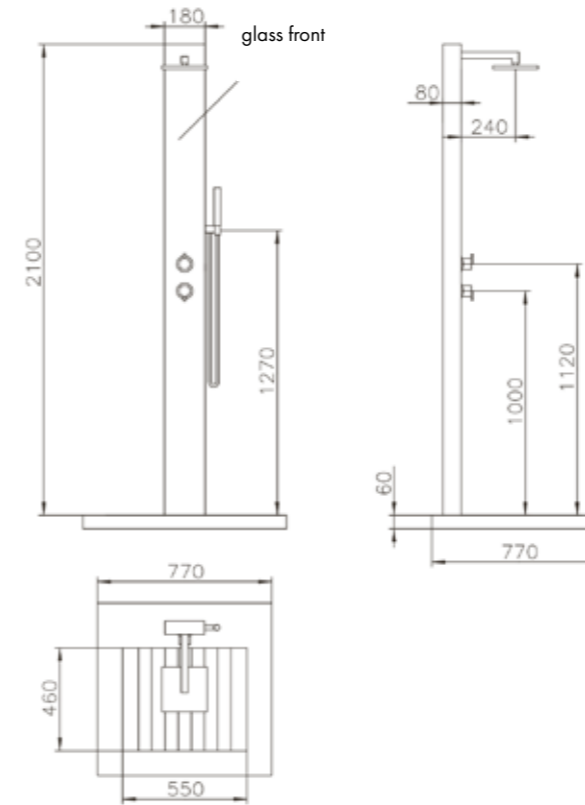
Product information:

Material	Stainless steel V2A
Type	cold and hot water
Equipment	Rain shower, hand shower, head shower
Armature	chrome-plated brass
Water connection	Flexible hoses, cold and hot water under the platform, GW 2 x ½"
Weight	36 kg
Floor plate	wood imitation composite WPC (Wood- Plastic- Composite) with steel frame (colour sand-coloured)
Type of water control	shower mixer

Waste water drain to floor slab 755x845mm

**Code**  
706790

KUBA



**Code**  
706501

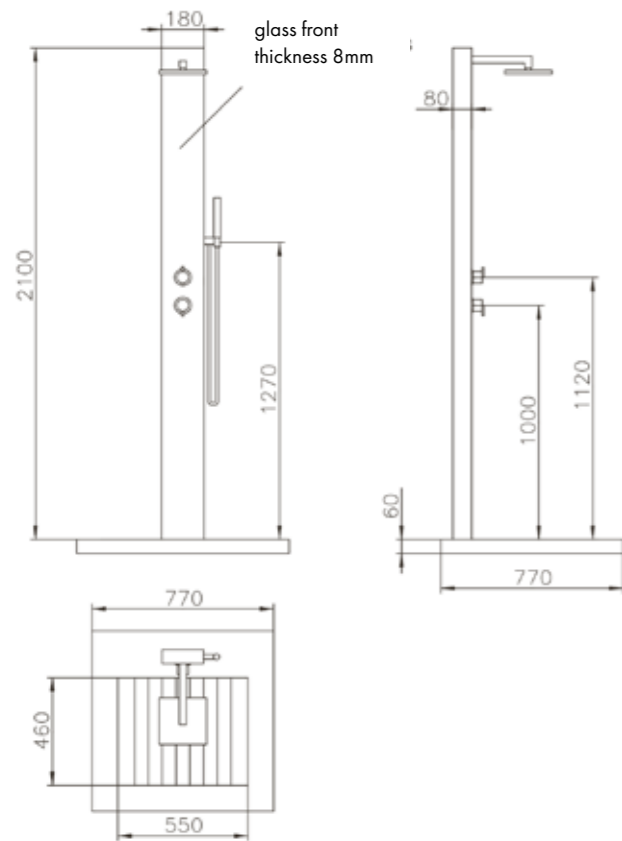
Product information:

Material	Stainless steel V2A , 8 mm safety glass black
Type	cold and hot water
Equipment	rain shower, hand shower
Armature	chrome-plated brass
Water connection	Flexible hoses, cold and hot water under the platform, GW 2 x ½"
Weight	37 kg
Floor plate	wood imitation composite WPC (Wood- Plastic- Composite) with steel frame (colour anthracite)
Type of water control	shower mixer

Waste water drain to floor slab 755x845mm

**Code**  
706790

**TOBAGO**



**Code**  
706556

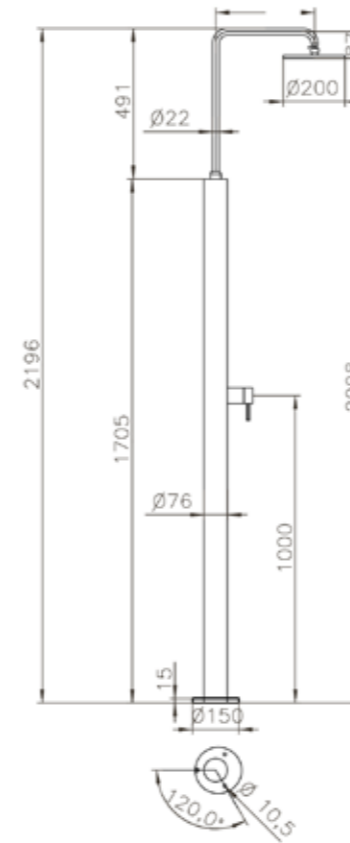
Product information:

Material	Stainless steel V2A, 8 mm safety glass white
Type	cold and hot water
Equipment	rain shower, hand shower
Armature	chrome-plated brass
Water connection	Flexible hoses, cold and hot water under the platform, GW 2 x ½"
Weight	37 kg
Floor plate	wood imitation composite WPC (Wood- Plastic- Composite) with steel frame (colour anthracite)
Type of water control	shower mixer

Waste water drain to floor slab 755x845mm

**Code**  
706790

**ROMEO**

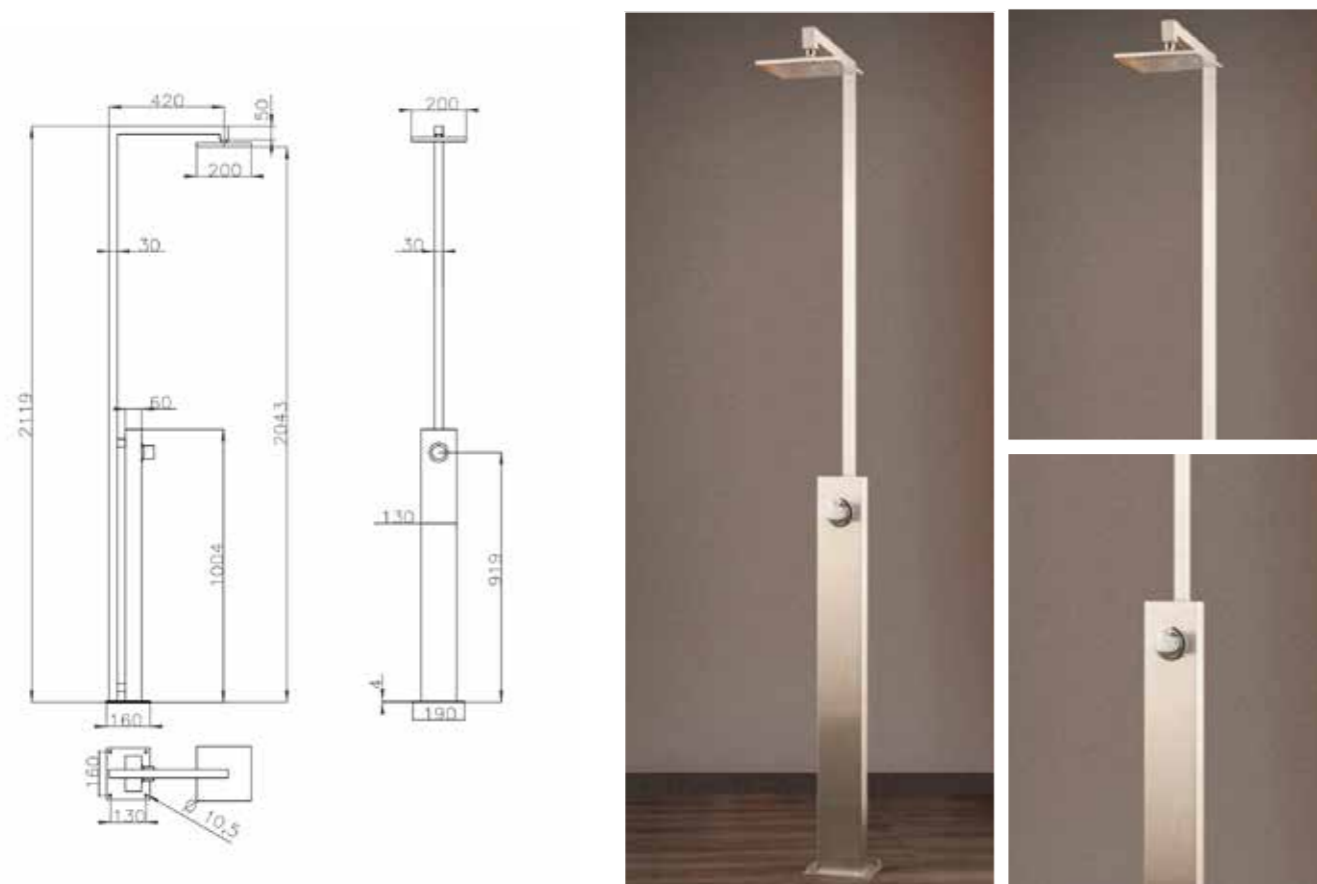


**Code**  
706520

Product information:

Material	304 stainless steel
Type	cold and hot water
Equipment	rainshower
Armature	chrome-plated brass
Water connection	Flexible hoses, cold and hot water under the platform, GW ½"
Weight	25 kg
Floor plate	not available
Type of water control	shower mixer

**MENORCA**

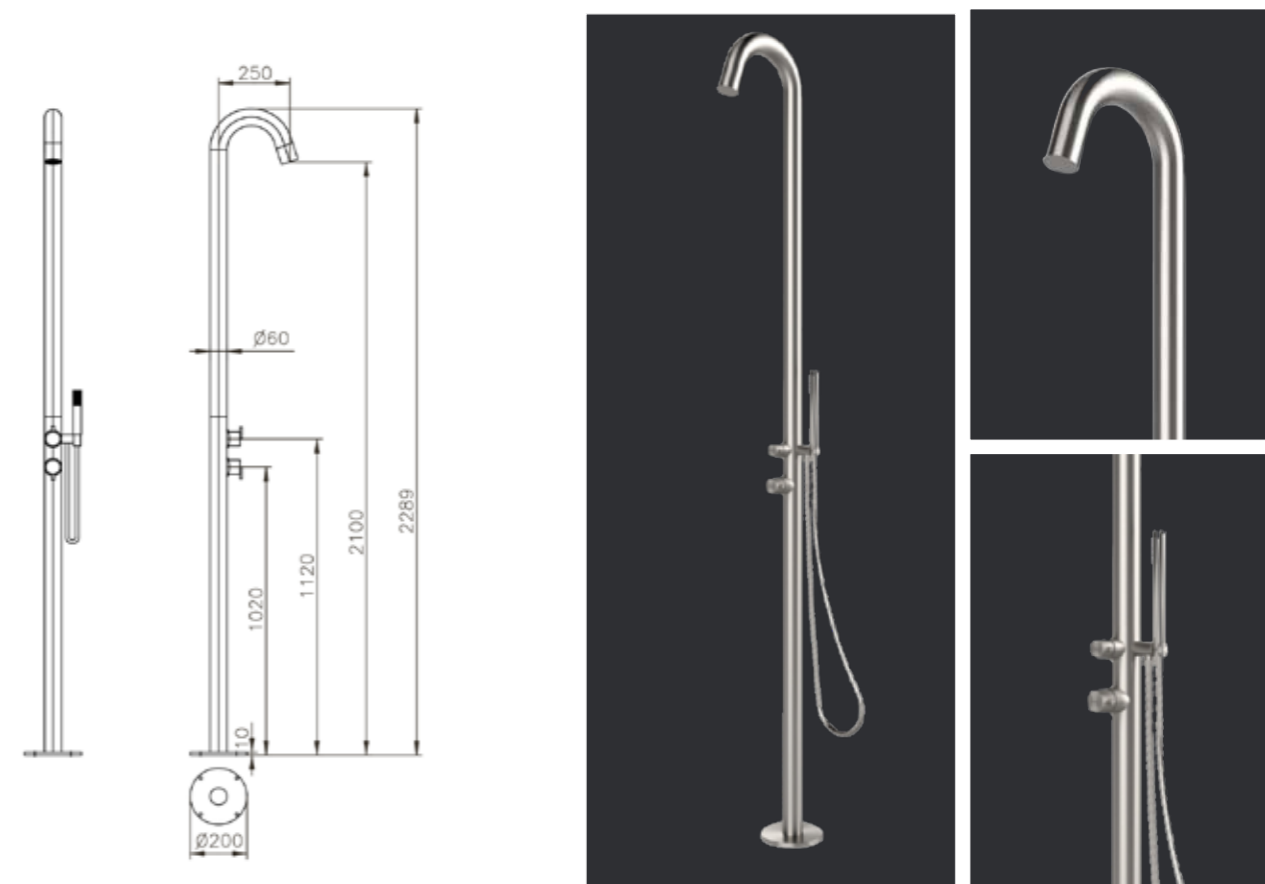


**Code**  
417001

Product information:

Material	304 stainless steel
Type	cold and hot water
Equipment	rainshower
Armature	chrome-plated brass
Water connection	Flexible hoses, cold and hot water under the platform, GW ½"
Weight	18kg
Floor plate	not available
Type of water control	shower mixer

**SYLT**

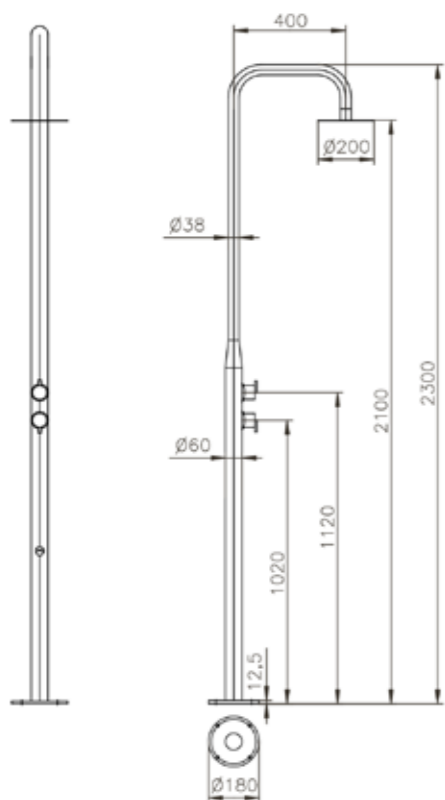


**Code**  
706590

Product information:

Material	304 stainless steel
Type	cold and hot water
Equipment	rain shower, hand shower
Armature	chrome-plated brass
Water connection	installation box
Weight	18 kg
Floor plate	not available
Type of water control	shower mixer

JUIST

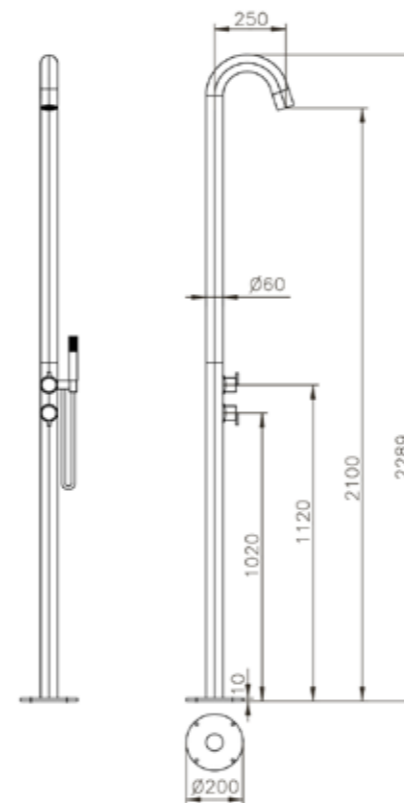


Code  
706592

Product information:

Material	304 stainless steel
Type	cold and hot water
Equipment	rain shower, hand shower
Armature	chrome-plated brass
Water connection	installation box
Weight	20 kg
Floor plate	not available
Type of water control	shower mixer

NORDERNEY

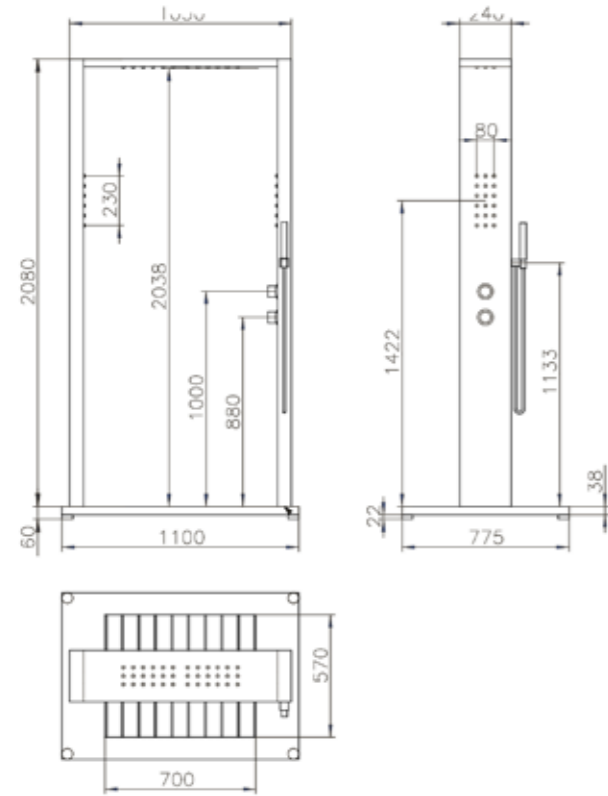


Code  
706595

Product information:

Material	304 stainless steel
Type	cold and hot water
Equipment	rainshower, kran dolny do mycia stóp
Armature	chrome-plated brass
Water connection	installation box
Weight	23 kg
Floor plate	not available
Type of water control	shower mixer

**SAMOA**



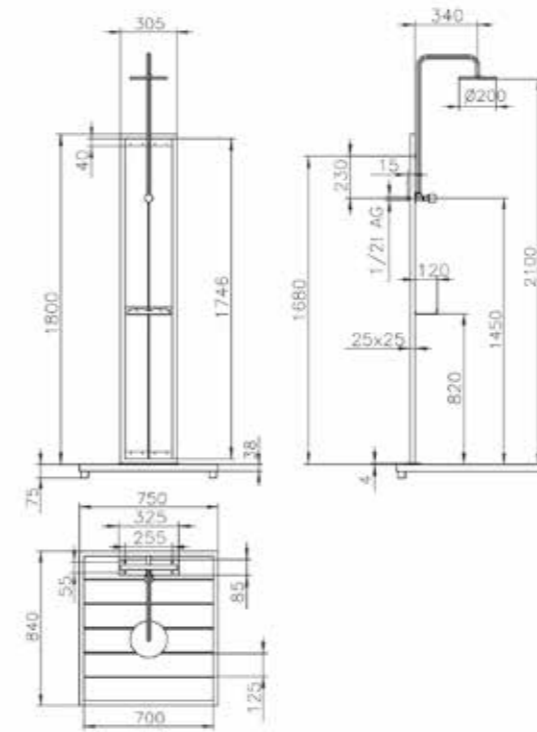
**Code**

706570

Product information:

Material	304 stainless steel
Type	cold and hot water
Equipment	Rain shower, hand shower, head shower
Armature	chrome-plated brass
Water connection	Flexible hoses, cold and hot water under the platform, GW 2 x ½"
Weight	52 kg
Floor plate	wood imitation composite WPC (Wood- Plastic- Composite) with steel frame (colour anthracite)
Type of water control	shower mixer

**BAHAMA**



**Code**

706511

Product information:

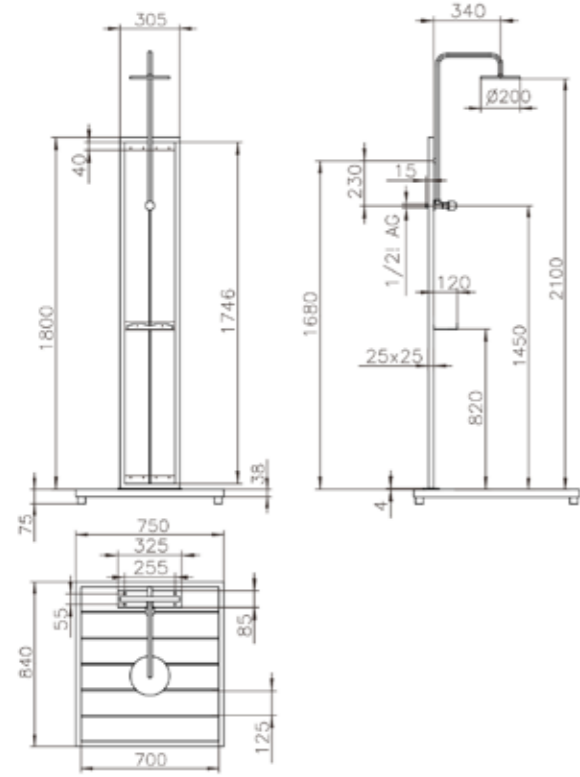
Material	304 stainless steel, weather-resistant wood
Type	cold water
Equipment	rainshower
Water connection	garden hose, Gardena system or similar
Weight	37 kg
Floor plate	wood with stainless steel frame
Type of water control	1x knob

Waste water drain to floor slab 755x845mm

**Code**

70 67 90

IBIZA



**Code**  
706504

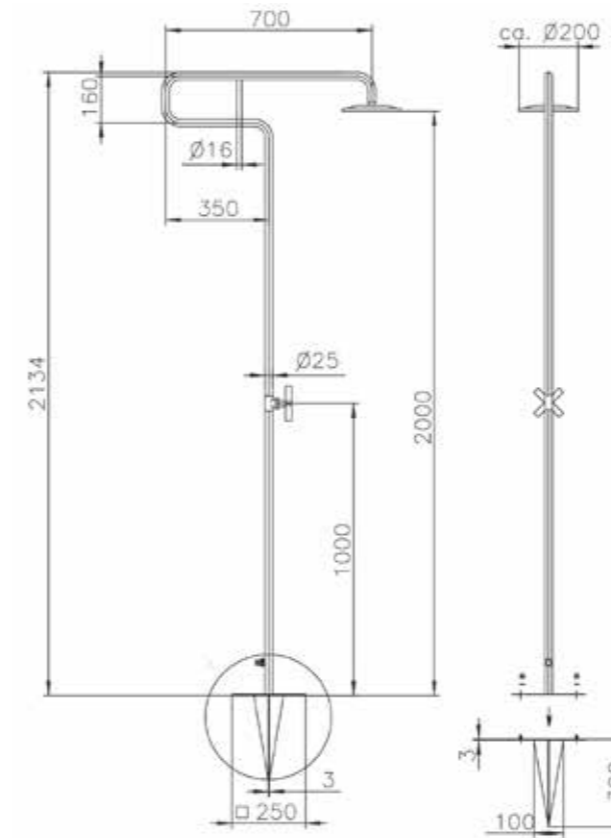
Product information:

Material	304 stainless steel, weather-resistant wood
Type	cold water
Equipment	rainshower
Water connection	garden hose, Gardena system or similar
Weight	28 kg
Floor plate	wood with stainless steel frame
Type of water control	integrated button in the base plate

Waste water drain to floor slab 755x845mm

**Code**  
706790

TROMBONE



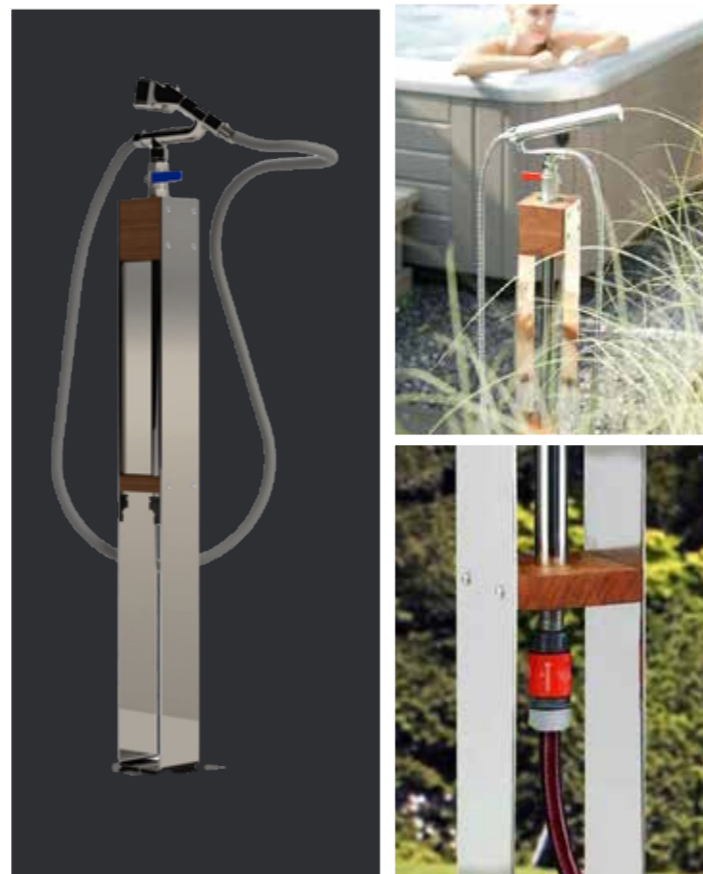
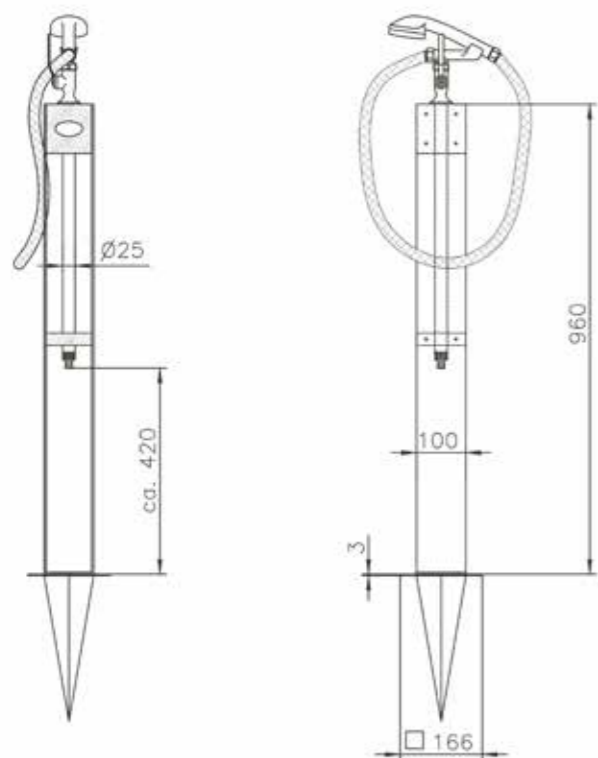
**Code**  
701410

Product information:

Material	304 stainless steel
Type	cold water
Equipment	rainshower
Water connection	garden hose, Gardena system or similar
Weight	8 kg
Floor plate	not available
Type of water control	1x knob



ALTENA MINI

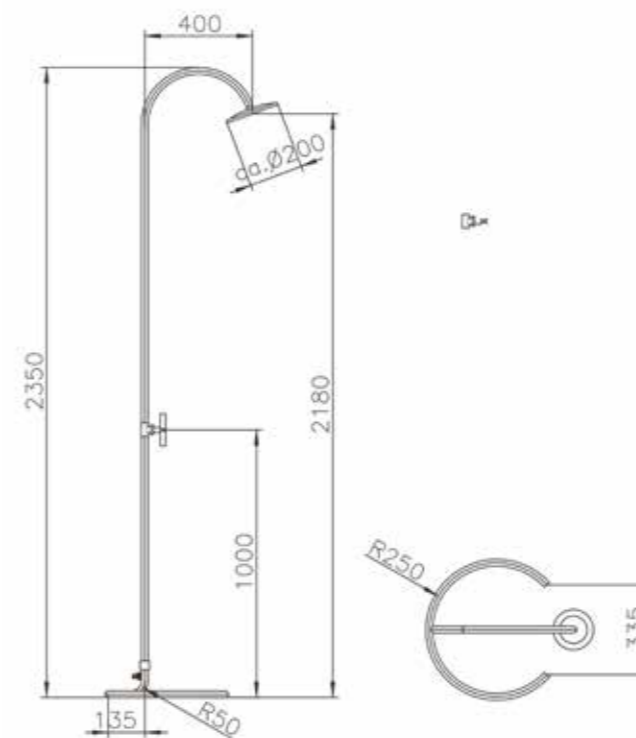


Code  
701012

Product information:

Material	304 stainless steel, weather-resistant wood
Type	cold water
Equipment	słuchawka prysznicowa
Water connection	garden hose, Gardena system or similar
Weight	10 kg
Floor plate	not available
Type of water control	ball valve with handle

MARLIN

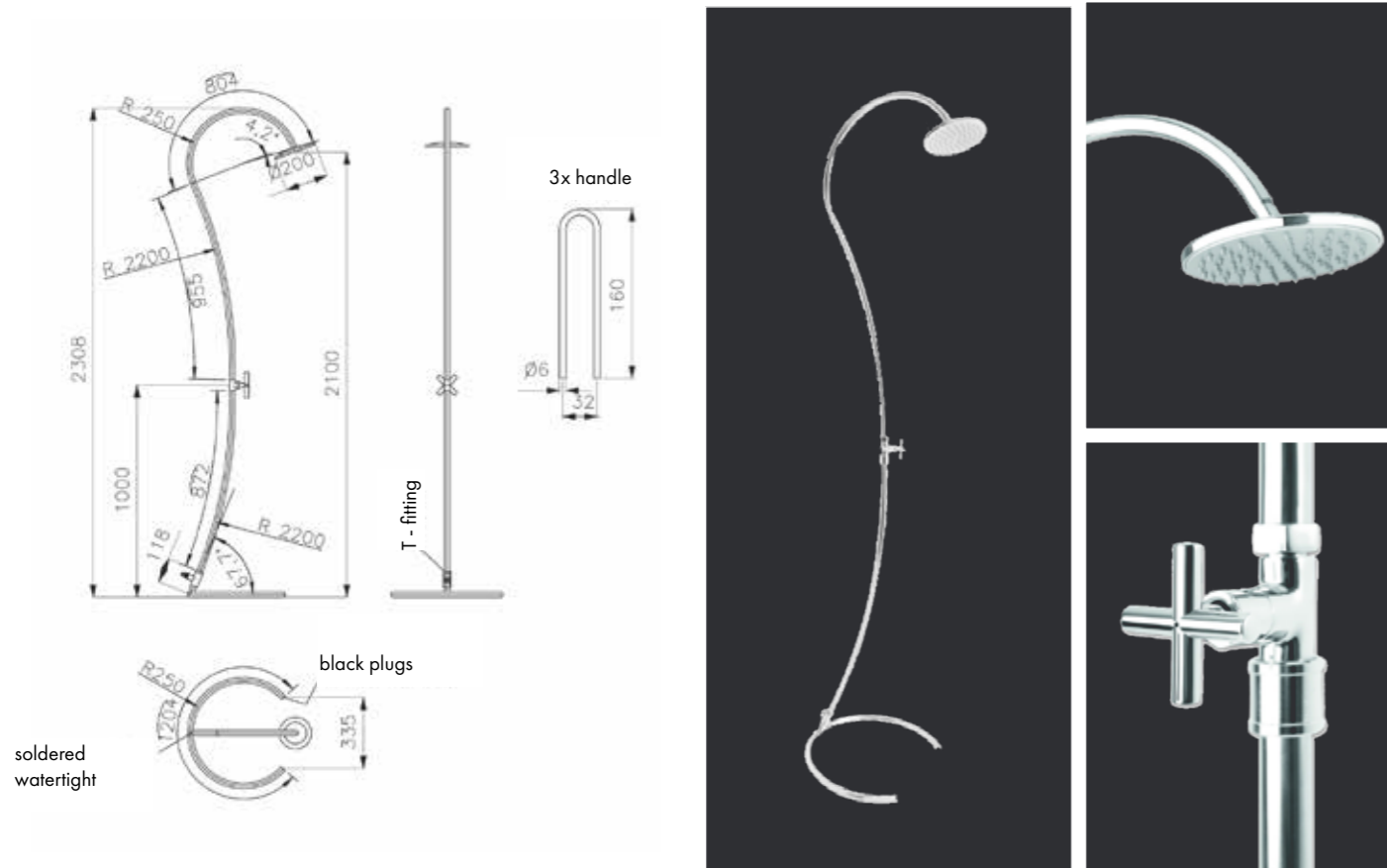


Code  
701112

Product information:

Material	304 stainless steel
Type	cold water
Equipment	rainshower
Water connection	garden hose, Gardena system or similar
Weight	6 kg
Floor plate	not available
Type of water control	1x knob

**COBRA**



**Code**  
701110

Product information:

Material	304 stainless steel
Type	cold water
Equipment	rainshower
Water connection	garden hose, Gardena system or similar
Weight	7 kg
Floor plate	not available
Type of water control	1x knob

Showers with hot and cold water, suitable for wall mounting, With only three fixing points, it adapts perfectly to the walls of buildings, saunas or garden sheds.

**SYLT WM**

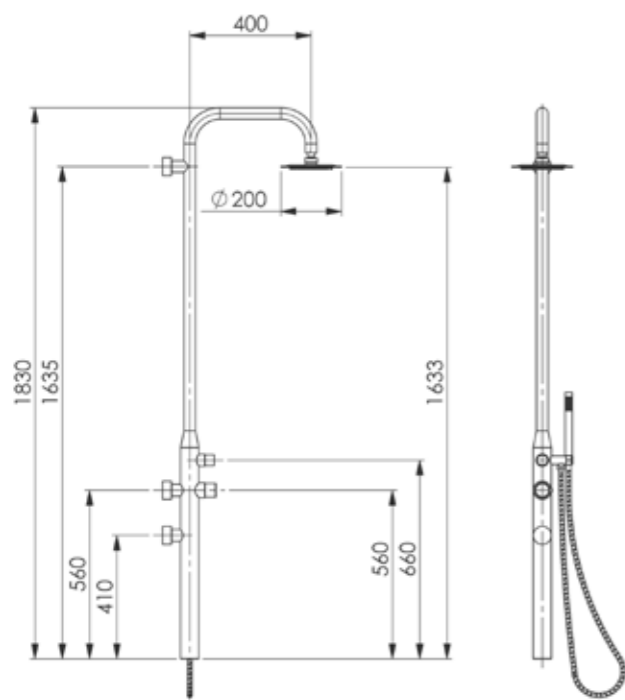


**Code**  
706890

Product information:

Material	304 stainless steel
Type	cold and hot water
Equipment	rain shower, hand shower
Armature	chrome-plated brass
Water connection	installation box GW 2 x 3/4"
Weight	18 kg
Floor plate	not available
Type of water control	shower mixer

**JUIST WM**



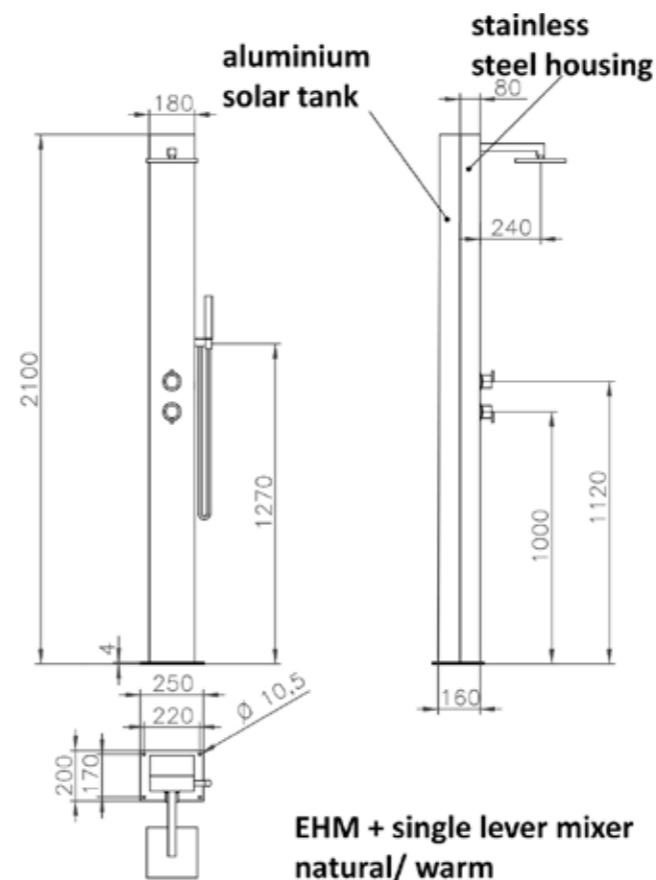
**Code**  
706892

Product information:

Material	304 stainless steel
Type	cold and hot water
Equipment	rain shower, hand shower
Armature	chrome-plated brass
Water connection	installation box
Weight	18 kg
Floor plate	not available
Type of water control	shower mixer

**TONGA SOLAR**

The modern, clear design and the lateral location of the solar tank ensure that the sun's rays can be captured on three sides to heat the water. It offers flexible use as it allows for versatile location planning in the garden.



Product information:

Material	304 stainless steel, Aluminium water tank, painted on the outside
Type	solar shower
Equipment	rainshower
Armature	chrome-plated brass
Water connection	GZ 1/2", screw-on back plate
Weight	35 kg
Floor plate	not included in the kit
Type of water control	shower mixer

**Code**  
707060

**Floor plate WPC**  
**750x840 mm (sand colour)**  
made of wood imitation composite (Wood - Plastic - Composite) with steel frame

**Code**  
706609

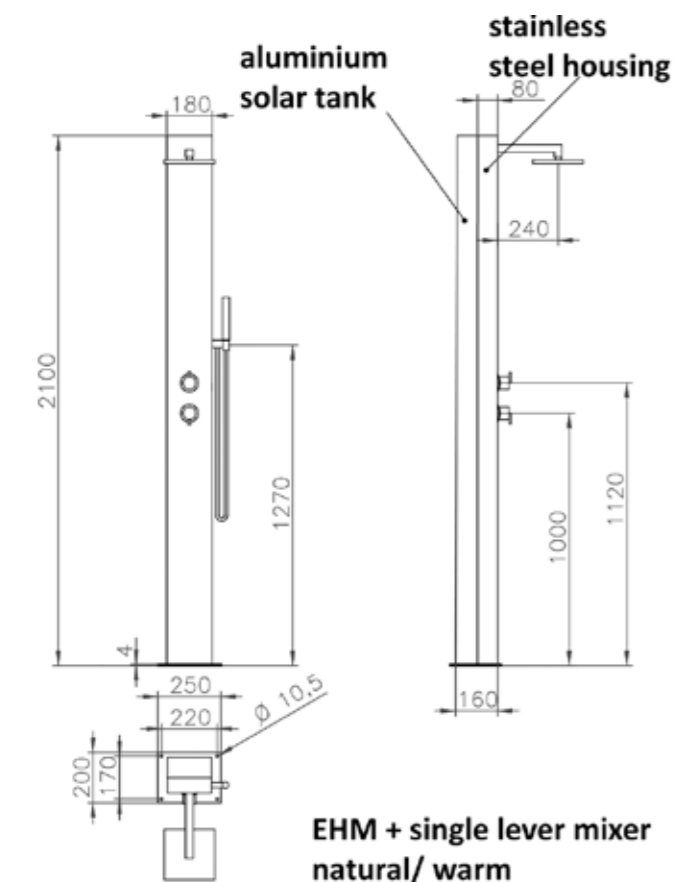
**Waste water drain**  
**for floor slab 755x845mm**

**Code**  
706790

**SABA SOLAR**

Flexible use, pleasantly warm shower water and modern design - these are just some of the advantages of the showers. **KUBA, SABA, TOBAGO, TRINIDAD and CURACAO** solar showers. The showers are made of noble materials such as stainless steel and safety glass.

The water tank holds approximately 25 litres of water, which is heated by the sun's rays. Thanks to the single-lever mixer, you can live and regulate the water temperature so that it is most comfortable for the user.



Product information:

Material	304 stainless steel, safety glass 8 mm- red, aluminium tank for water, painted on the outside
Type	solar shower
Equipment	rain shower, hand shower
Armature	chrome-plated brass
Water connection	Water hose system (Gardena or similar)
Weight	35 kg
Floor plate	not included in the kit
Type of water control	shower mixer
<b>Code</b>	
707050	

**Floor plate WPC 750x840 mm**

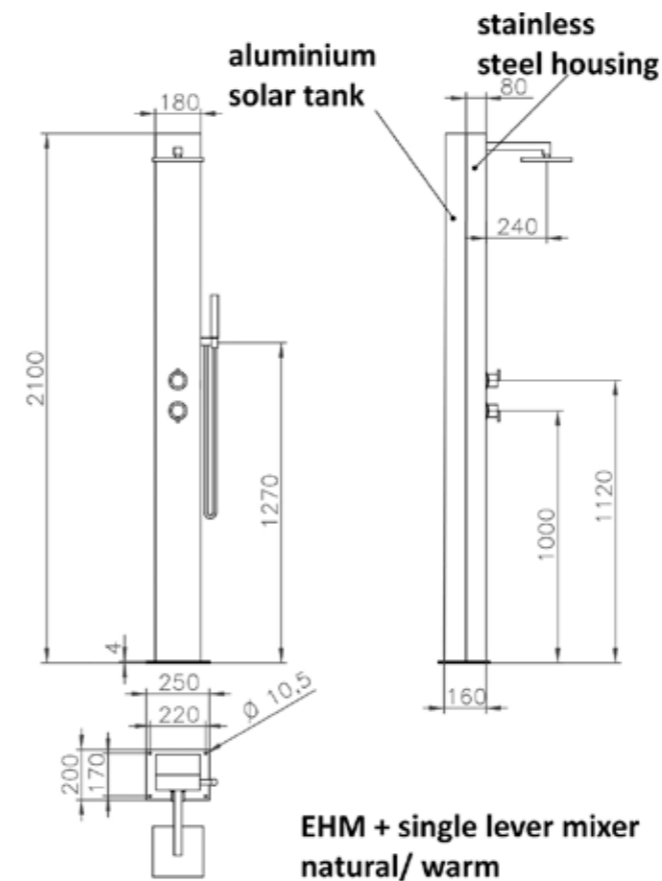
made of wood imitation composite (Wood - Plastic - Composite) with steel frame

Code	Colour
70 66 03	sand colour
70 66 02	colour anthracite

**Waste water drain for floor plate 755x845mm**

<b>Code</b>
706790

**KUBA SOLAR**



Product information:

Material	304 stainless steel, Safety glass 8 mm- black, Aluminium water tank, painted on the outside
Type	solar shower
Equipment	rain shower, hand shower
Armature	chrome-plated brass
Water connection	Water hose system (Gardena or similar)
Weight	35 kg
Floor plate	not included in the kit
Type of water control	shower mixer

<b>Code</b>
707053

**Floor plate WPC 750x840 mm**

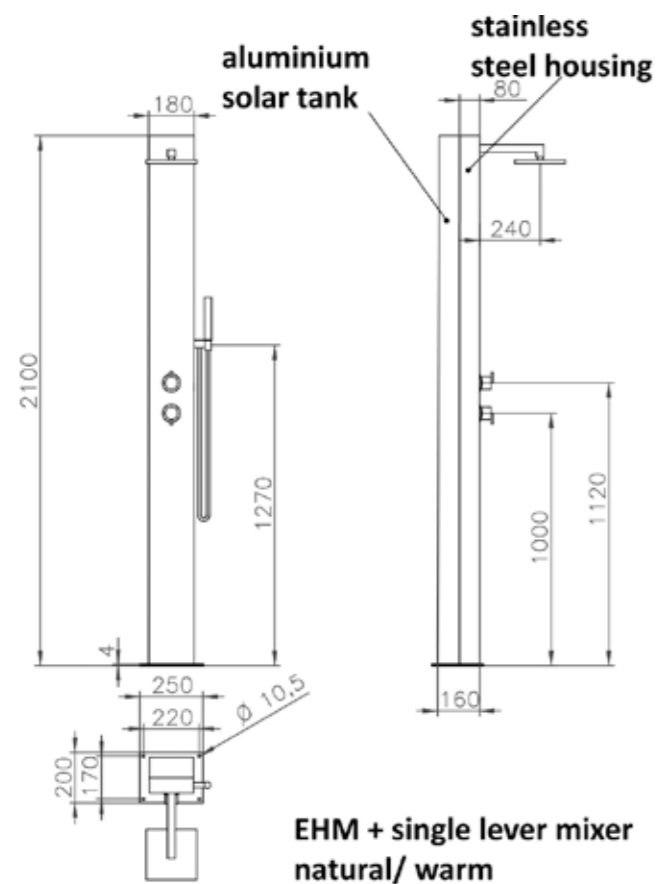
made of wood imitation composite (Wood - Plastic - Composite) with steel frame

Code	Colour
70 66 03	sand colour
70 66 02	colour anthracite

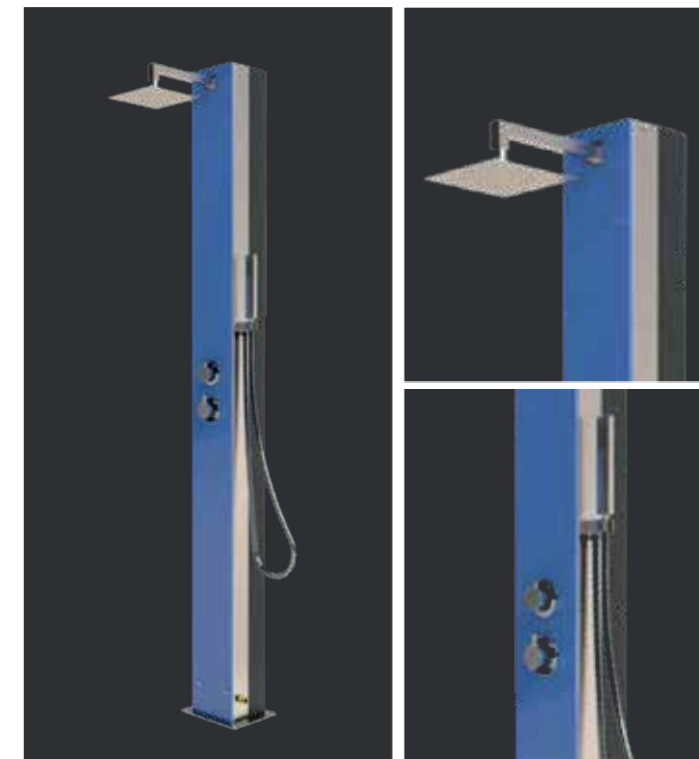
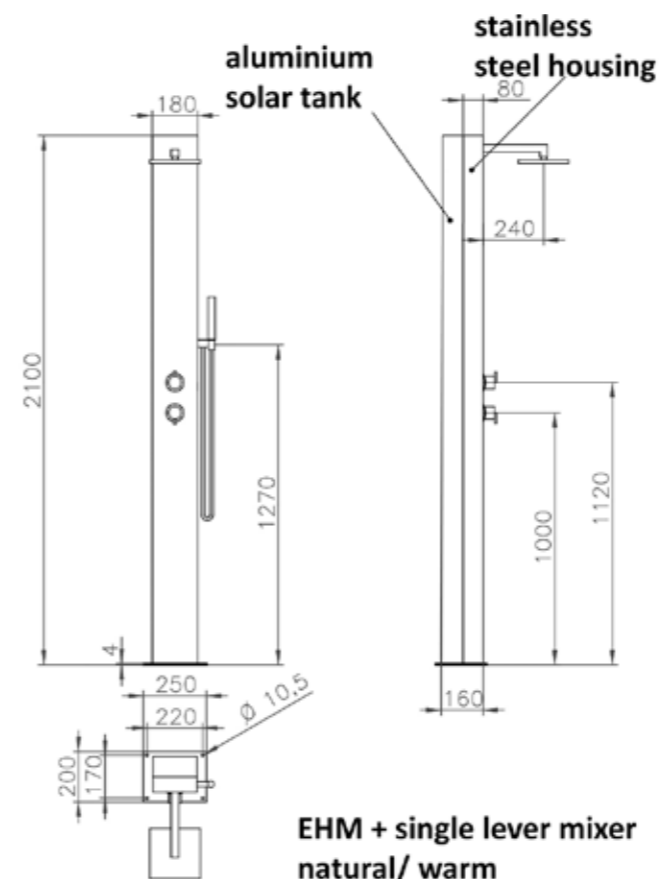
**Waste water drain for floor plate 755x845mm**

<b>Code</b>
706790

TOBAGO SOLAR



CURACAO SOLAR



Product information:

Material	304 stainless steel, 8 mm safety glass- white, aluminium water tank, painted on the outside
Type	solar shower
Equipment	rain shower, hand shower
Armature	chrome-plated brass
Water connection	Water hose system (Gardena or similar)
Weight	35 kg
Floor plate	not included in the kit
Type of water control	shower mixer

**Floor plate WPC 750x840 mm**

made of wood imitation composite (Wood - Plastic - Composite) with steel frame

Code	Colour
70 66 03	sand colour
70 66 02	colour anthracite

**Waste water drain for floor plate 755x845mm**

Code
706790

Code
707056

Product information:

Material	304 stainless steel, 8 mm safety glass blue colour, aluminium water tank, painted on the outside
Type	solar shower
Equipment	rain shower, hand shower
Armature	chrome-plated brass
Water connection	Water hose system (Gardena or similar)
Weight	35 kg
Floor plate	not included in the kit
Type of water control	shower mixer

**Floor plate WPC 750x840 mm**  
made of wood imitation composite (Wood - Plastic - Composite) with steel frame

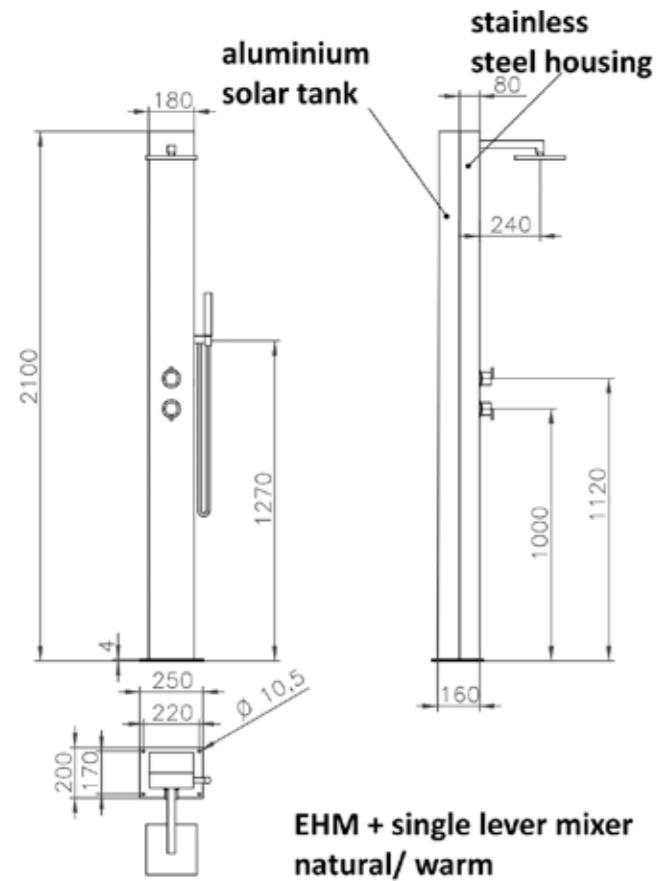
Code	Colour
70 66 03	sand colour
70 66 02	colour anthracite

**Waste water drain for floor plate 755x845mm**

Code
706790

Code
707057

TRINIDAD SOLAR



NEMO



Product information:

Material	304 stainless steel, aluminium water tank, externally painted
Type	solar shower
Equipment	rain shower, hand shower
Armature	chrome-plated brass
Water connection	Water hose system (Gardena or similar)
Weight	28 kg
Floor plate	not included in the kit
Type of water control	shower mixer

Floor plate WPC 750x840 mm  
made of wood imitation composite

Code	Colour
70 66 03	sand colour
70 66 02	colour anthracite

Waste water drain for  
floor plate 755x845mm

Code
706790

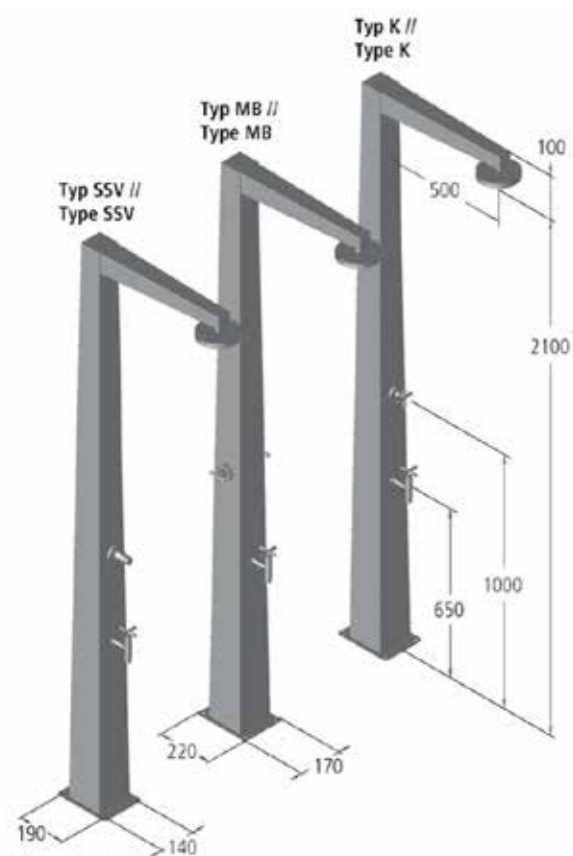
Code
707055

Code	Description
358400	Nemo shower type SSV without bottom tap
358503	Nemo shower type SSV with bottom tap
358500	Nemo type MB shower without bottom tap
358551	Nemo type MB shower with bottom tap

Product information:

Material	304 stainless steel
Type	cold water
Equipment	heating tape for winter operation
Water connection	1/2" female thread, supply via bottom flange
Armature	Chrome plated brass
Floor plate	not available
Type of water control	Typ SSV = self-closing valve

**NIAGARA**



Code	Description
368601	Niagara type K shower with bottom tap
368651	Niagara shower type MB with bottom tap
368603	Niagara shower type SSV with bottom tap

Product information:

Material	304 stainless steel
Type	cold water
Equipment	Type K and SSV have a heating band for winter operation
Water connection	1/2" female thread, supply via floor flange
Armature	Chrome plated brass, overhead shower with ball joint
Floor plate	not available
Type of water control	Typ SSV = self-closing valve

K = cold water

MB = mixing battery

SSV = self-closing valve

**GARDEN SHOWERS**

**TETRA**

- modern design with different battery versions: manual, timed, thermal
- made of polished stainless steel AISI 304
- mounting with supplied screws
- models with or without foot wash
- can be anchored in concrete



Code	Model	Mode	Foot washing	Connections	Pipe dimensions	Number of shower heads	Weight	Volume
<b>TETRA - SINGLE</b>								
072510310000F	DT100HF	manual	no	1/2"	60 x 60	1	8kg	0.054m <sup>3</sup>
072510330000F	DT110HF	automatic	no	1/2"	60 x 60	1	8kg	0.054m <sup>3</sup>
072510320000F	DT101HF	manual	yes	1/2"	60 x 60	1	8kg	0.054m <sup>3</sup>
072510340000F	DT111HF	automatic	yes	1/2"	60 x 60	1	8.2kg	0.054m <sup>3</sup>
<b>TETRA - TWICE</b>								
072520330000F	DT210HF	automatic	no	1/2"	120 x 60	2	17kg	0.09m <sup>3</sup>
072520340000F	DT212HF	automatic	yes	1/2"	120 x 60	2	17.5kg	0.09m <sup>3</sup>
<b>TETRA ARKADA</b>								
072701330000F	ADT113HF	automatic	no	1/2" - 3/4"	60 x 60	3	22kg	0.09m <sup>3</sup>
072701350000F	ADT115HF	automatic	no	1/2" - 3/4"	60 x 60	5	24kg	0.09m <sup>3</sup>

**Accessories for TETRA showers**

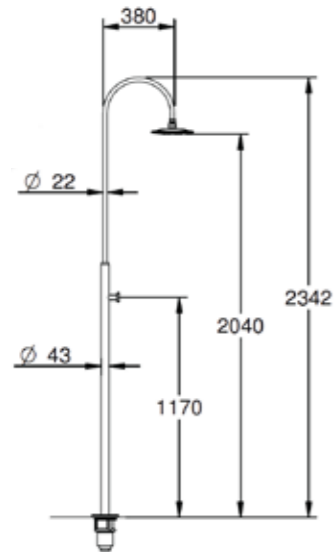
Code	Model	Description	Height	Width	Weight	Volume
072590360000F	AT60HF	Anchor for a single TETRA shower	162 mm	120 x 120 mm	0.73 kg	0.03 m <sup>3</sup>
072590320000F	AT120HF	Anchor for TETRA double shower	180 mm	250 x 250 mm	1 kg	0.03 m <sup>3</sup>

## BASTON

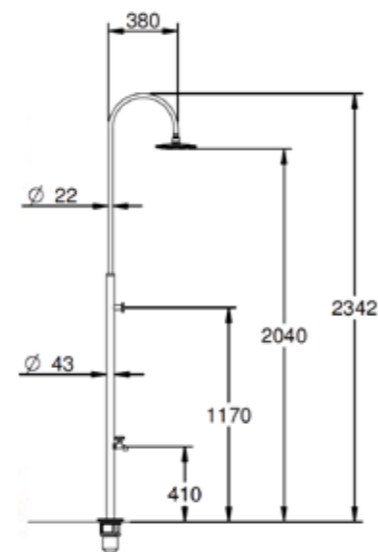
- Elegant and robust
- Made of high-gloss polished AISI 304 stainless steel
- Anchor with built-in grounding connector



Code	Mode	Model	Pipe Ø	Foot washing	Connections	Weight	Volume
072101011010F	manual	DB100HF	43 mm	Nie	1 1/2"	15.5 kg	0.1 m <sup>3</sup>
072101101010F	manual	DB101HF	43 mm	Tak	1 1/2"	16 kg	0.1 m <sup>3</sup>



DB100HF - without lower caran



DB101HF - with bottom tap

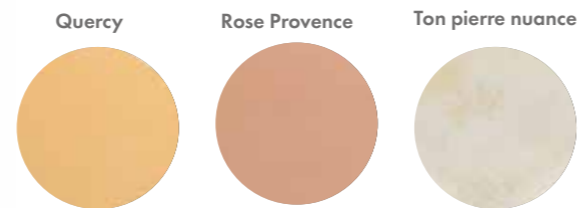
## Accessories

Anchor adapter for modification from BASTON shower to SINGLE TETRA shower

Code	Model	Ø	Height	Description	Weight	Volume
072590343100F	AT43SHF	1/2"	145 mm	Kotwa	0.2 kg	0.001 m <sup>3</sup>

## SHOWER TRAY

Shower trays are the perfect addition to the Pierra product line, available in pool rim colours. They are a practical accessory for every shower - water does not splash and feet stay clean. The solid base guarantees a long product life.



Art. no.	Size [cm]	Colour
313601	68 x 68	Quercy
313602	68 x 68	Rose Provence
313603	68 x 68	Ton pierre nuance



## SHOWER MIXER



Art. no.  
9035



## OVERHEAD SHOWER



Art. no.  
9027





Art. no.

9053



Permanent

Art. no.

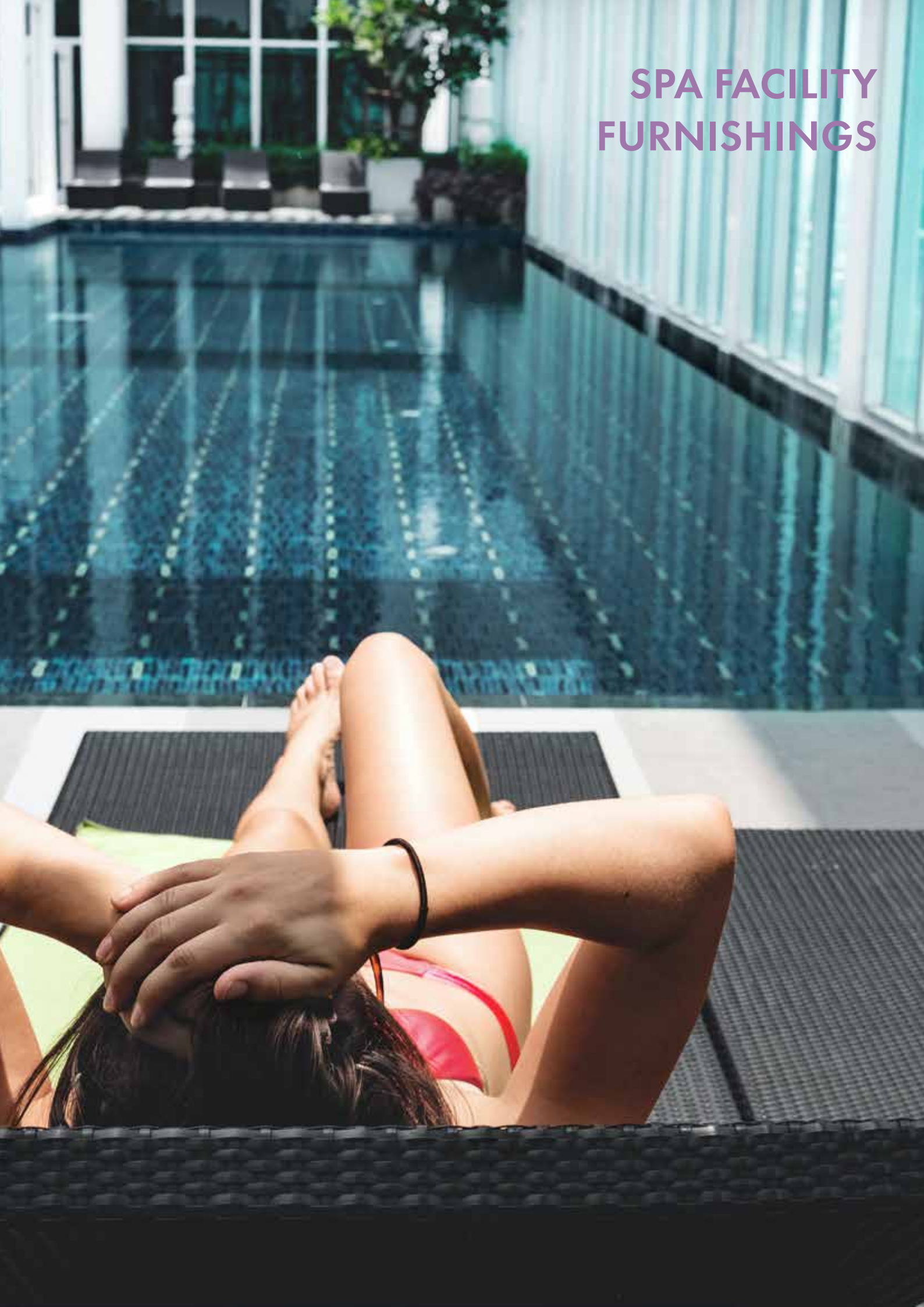
9054A

Rotating

Art. no.

9054B

# SPA FACILITY FURNISHINGS



## WELLNESS LOUNGERS

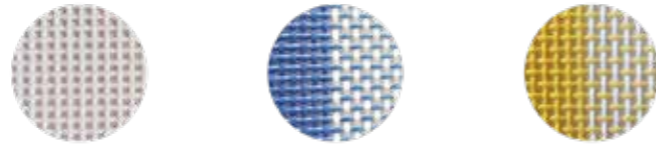
The lounge is the perfect solution for those who value comfort when relaxing. Thanks to the possibility of reclining the seat, your head and feet are at the same height. This position supports proper blood circulation and promotes both physical and mental relaxation. The Wellness lounge is ideal for SPA centres, leisure centres, salt caves, hotels and water parks, as well as for private, backyard rest and relaxation corners.



The lounge is made of steel tubes double powder-coated. The seat is covered with the unique Batyline fabric (produced by the French company Ferrari). This material is airy, strong and easy to maintain. Despite its elasticity, it is not subject to deformation. Due to the openwork weave, the fabric dries quickly. The protection against fungal growth allows it to be left outside.



Available in colours:



On request, we can produce deckchairs in any colour with the customer's logo embroidered.



### Dimensions:

- Width: 630 mm
- Length: 1900 mm
- Height: 1000 mm

Code	Colour
79LW11	Beige
79LW12	Blue
79LW13	Yellow

## LEISURE FURNITURE

### OPHELIA

High-quality garden and indoor furniture, ergonomic and durable above all! The best materials have been used in the production. It is possible to order mattresses in a wide range of colours for every type of lounge. The mattress covers are hygienic and easy to maintain for use in large wellness and spa centres. Relax Factory has been in the market for many years and is proud to use its knowledge in creating the best solutions in the industry. We are happy to help fulfil individual We will be happy to help you realise your individual requirements in terms of colours and sizes, as well as placing your logo on the furniture or cushions.

#### OPHELIA relaxation lounge

- powder-coated aluminium frame
- High-quality HULARO® techno-rattan, weather-resistant and UV-resistant
- the bent position of the couch supports good blood circulation and promotes relaxation

#### CLASSIC ROMEO side table

- aluminium frame, powder-coated
- techno-rattan HULARO®
- Delivery with clear 4 mm glass plate (other glass colours available on request)
- HULARO® is covered by a 5-year warranty.

#### Lounger dimensions:

- Width: 68 cm
- Length: 137 cm
- Height: 130 cm

#### Table dimensions:

- Diameter: 51 cm
- Height: 42 cm

#### Available in colours:



Camargue  
1164CAM



Kubah-grey  
1164KUG



Java-braun  
1164JAB

Code	Colour
1223	Table
1164	Lounger



## CORIN

Individually bonded lounge. Perfect fittings: powder-coated aluminium frame, shatterproof HULARO® plastic fibre, ergonomically perfect in its design. The CORIN collection consists of an armchair, sofa, left and right daybed, as well as a coffee table and sun lounger. The unique solid weave convinces with its timeless design. The harmony of CORIN is created by the elegant lines of all the furniture. HULARO® is covered by a 5-year warranty.



### Lounger



Code	Width	Length	Height
1297	70cm	200cm	30cm (without cushion)

### Chaise longue



Depth	Width	Height	Seat height
83	170cm	75cm	30cm (without cushion)

Code	Backrest
1294	Right
1295	Left

## Sofa



Code	Width	Depth	Height	Seat height
1292	186cm	83cm	75cm	30cm (without cushion)

## Suspended lounger + frame



Width	Length
110cm	165cm (without cushion)

Delivery of recliner with fixing ropes. V2A steel line, Diameter: 3 mm

Code	Backrest
1293	Suspended lounger
1318	Frame

## Armchair



Code	Width	Depth	Height	Seat height
1291	88cm	83cm	75cm	30cm (without cushion)

## Coffee table



Code	Diameter	Height
1296	70cm	49cm

Made of stainless steel for indoor as well as outdoor use.

### Orlando 2-seater

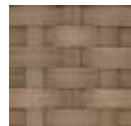


A lounge for two people from the extensive ORLANDO collection. This timeless lounge dedicated to public venues meets the highest demands.

- ideal for people with disabilities or seniors
- adjustable headboard
- powder-coated aluminium frame
- high-quality, weather-resistant HULARO® techno-rattan
- delivery includes a cushion cover made of high-quality outer fabric

**HULARO® is covered by a 5-year warranty.**

Available in colours:



Camargue  
1190CAM



Kubuh-grey  
1190KUG



Java-braun  
1190JAB

Code	Width	Length	Height
1190	70cm	200cm	35cm

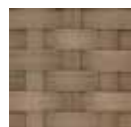
### Canopy for the daybed - Orlando 2-seater



Creates a unique complement to the ORLANDO two-seater lounge.

- frame made of powder-coated aluminium
- frame wrapped in high-quality plastic
- the fabric is suitable for outdoor use and can be washed

Available in colours:



Camargue  
1144CAM



Kubuh-grey  
1144KUG



Java-braun  
1144JAB

Code	Width	Depth	Height
1144	140cm	210cm	215cm

### Orlando



This timeless lounge dedicated to public venues meets the highest demands.

- ideal for people with disabilities or seniors
- adjustable headboard
- powder-coated aluminium frame
- high-quality, weather-resistant HULARO® techno-rattan
- delivery includes a cushion cover made of high-quality outer fabric

**HULARO® is covered by a 5-year warranty.**

Available in colours:



Camargue  
1189CAM



Kubuh-grey  
1189KUG



Java-braun  
1189JAB

Code	Width	Length	Height
1189	70cm	200cm	35cm

### Imogen



We offer a matching side table, which is very practical and versatile thanks to its shape. Editions available in many colour versions.

- high-quality rounded weather-resistant HULARO® techno-rattan
- table supplied with a glass top
- adjustable headrest

**HULARO® is covered by a 5-year warranty.**

Available in colours:



Camargue  
1111CAM



Kubuh-grey  
1111KUG



Java-braun  
1111JAB

Code	Description	Width	Length	Height
1111	Table	41cm	41cm	50cm
1114	Lounger	70cm	209cm	35cm

### Round Romeo



Through soft lines and weather-resistant materials. Supplied with seat and backrest in Olefin fabric - Outdoor, colour: cream or grey (depending on model).

**HULARO® is covered by a 5-year warranty.**

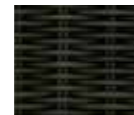
Available in colours:



Camargue  
1118CAM



Kubuh-grey  
1118KUG



Java-braun  
1118JAB

Code	Diameter	Seat height	Height of the lounger
1118	164cm	30cm	74cm

### Open Romeo



Timeless and elegant. Terms that best describe OPEN ROMEO. High-quality materials provide a relaxing atmosphere. An outdoor experience. Have a great summer!

Supplied with seat and backrest in Olefin - outdoor fabric, colour: cream.

Available in colours:



Kubuh-grey  
natural



Creme

Code	Diameter	Seat height	Height of the lounger
1117	164cm	30cm	74cm

### Thaïsa



Radiant as sunshine THAISA Nice spacious garden furniture for lounging, sitting and relaxing. THAISA consists of two lounge sections, the table must be ordered separately.

Delivery with seat and cushion.

Backrests in Olefin-Outdoor fabric, colour: cream.

Width	Depth	Height	Height of the seat
345cm	259cm	259cm	43cm (without cushion)

Available in colours:



Kubuh-grey  
natural



Creme

Code	Backrest
1150	Leisure furniture
1152	Table

### Classic Romeo



A sofa with a wide and comfortable relaxation surface. CLASSIC ROMEO uses a wide flat plastic fibre. Supplied with seat and backrest in Olefin fabric - Outdoor, colour: cream or grey (depending on model).

**Fibre is covered by a 5-year warranty.**

Available in colours:



Camargue  
1119CAM



Kubuh-grey  
1119KUG



Java-braun  
1119JAB

Code	Diameter	Height of the lounger	Height of the seat
1119	164cm	74cm	30cm

## LIGHTING OF SWIMMING POOL ROOMS AND RELAXATION AREAS



After an active day of swimming in pools or saunas, the body needs rest in order to regenerate. Relaxation zones are rooms in which absolute silence reigns, because total relaxation only comes when you can leave the hustle and bustle of everyday life behind. Equipped with comfortable furniture such as sofas or chaise longues and decorative lighting, they soothe the soul and the senses. Everyone deserves a few moments of well-being to regain new energy and inner strength.

### Take a virtual walk through the exhibition



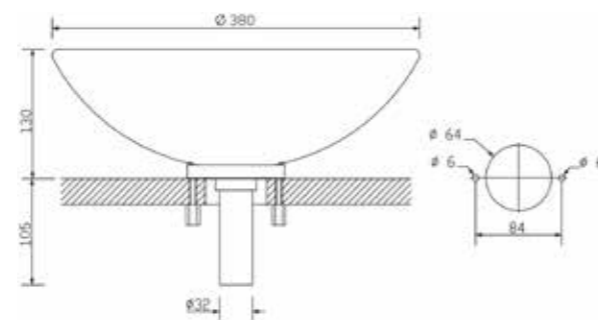
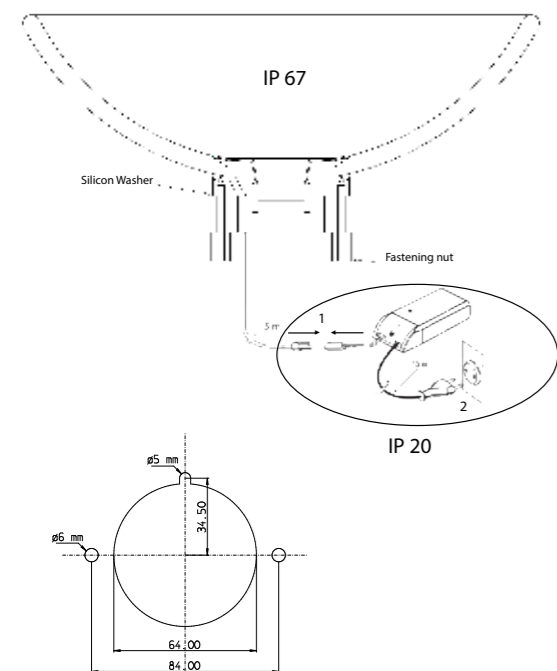
### GLASS BASIN Ø 380

Made of tempered glass, the outer surface is satin matt so that the light spreads evenly and beautifully. The light source is LEDs. The kit contains all the components needed for installation and operation, including the light source (LED).

- max. power 3.1 W, IP67
- 5 m connection cable supplied
- IP20 power supply included

Code

1545672



### Towel rail CRB-30

Impressive detail in your pool area

- can be illuminated by fibre or LED
- stainless steel
- satin glass
- Mounting hole Ø 12 mm

Recommended fibre Ø 2 - 4 mm or one Cariitti LED (white or RGBW).

Code

1545552



### Cariitti 3000 K LED lighting kits - essential for illuminating hangers

- Contains 3 LEDs 3000 K with 5 m cables,
- 5m extension cable,
- serial connection module and power supply with dimmable (IP20) OTi DALI 15 (150 mA),
- **dedicated set for 3 hangers.**

Code	Description
1532653	with 3 LEDs

- Contains 6 LEDs 3000 K with 5 m cables,
- 5m extension cable,
- serial connection module and dimmable power supply (IP20) OTi DALI 15 (150 mA),
- **dedicated set for 6 hangers.**

Code	Description
1532609	with 6 LEDs

- Includes 3 LEDs with 5 m cables (without driver)
- **Provides the opportunity to extend any lighting set with the illumination of an additional 3pc hangers.**

Code	Description
1532610	Extension kit with 3 LEDs 3000K

### Arctic Sky

The 500 x 500 x 30 mm crushed glass panel is like a painting. A therapeutic element that changes the character of a room depending on the chosen lighting effect.

Depending on the projector used, effects such as:

- flame of fire,
- aurora borealis
- colour change.

In pure white light, the panel looks like crushed ice.

#### Set includes:

- Arctic Sky panel,
- Adapter 1548412,
- S-Flex 6 fibre optic cable with M8 spigot.

To complete the set it is necessary to buy a projector (not included).

### Arctic Sky projectors

#### VPL30 XK 34 W

##### Product information:

- 90-264 V, 700 mA, 1950 lm,
- L.250 x W.150 x H.83 mm
- LED, 50.000 h,
- Max Temp. +40 °C
- Dimming 1-10 V
- Weight 2.1 kg
- IP65



Code	Description
1501488	white light 4000 K

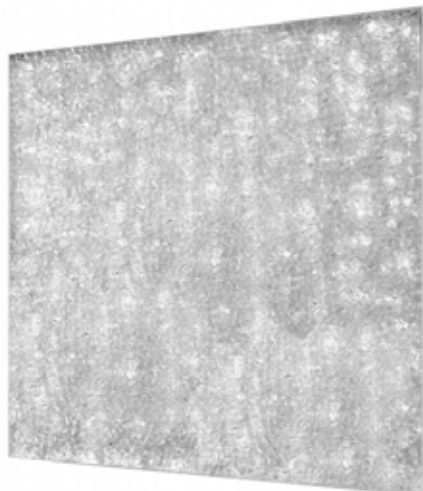
#### VPL30 z efektami

##### Product information:

- 90-264 V / 13W,
- L.250 x W.150 x H.83 mm
- LED, 50.000 h,
- Weight 2.1 kg
- IP65



Code	Description
1501454	aurora borealis effect
1501455	flame effect



### Arctic Sky RGBW

#### Set includes:

- Arctic Sky panel
- LED RGBW 1532494

To complete the set it is necessary to buy a controller and a projector (not included).

#### RGBW CONTROLLER KIT

- 4-channel, dimmable, with BLE power supply
- Part load 1-5 LEDs
- Nominal input voltage 220-240 VAC
- 0.66 W - 3.3 W/channel
- Output current 4 x 200 mA
- Maximum ambient temperature + 35 °C
- IP67



Code	Description
1589026	Arctic Sky RGBW
1863014	Set of RGB controllers

### Arctic Sky RGBW projector

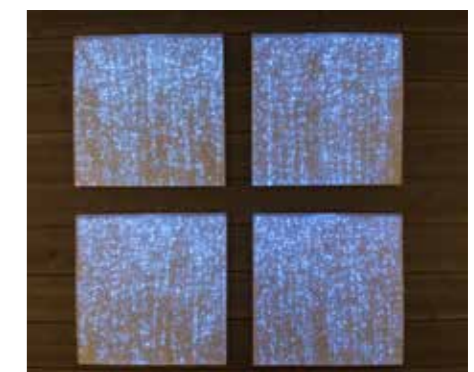
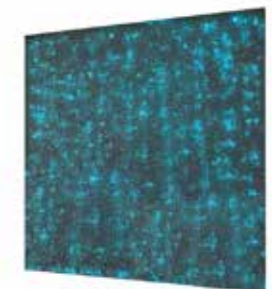
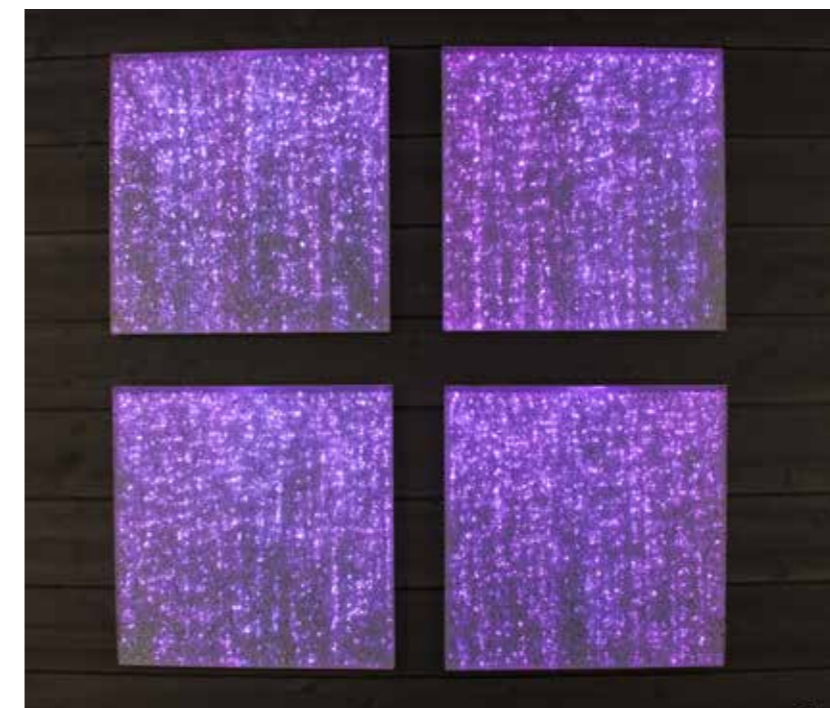
#### VPL30C - DALI

##### Product information:

- 230 V / 19 W
- L.250 x W.150 x H.83 mm
- LED, 50.000 h,
- Weight 2.1 kg
- RED 3W (53lm)
- GREEN 4W (210lm)
- BLUE 4W (134lm)
- WHITE 2W (150lm)



Code	Description
1501792	RGBW



### SADE - crystal lamps

The SADE crystal lights can be used with all Cariitti LED lighting kits. Thanks to the included locking springs, assembly is extremely easy. Mounting hole ø12 mm.

Code	Model	Length of crystal chains
1545833	SADE 345	150 / 185 / 215 mm
1545835	SADE 567	215 / 250 / 285 mm



### Cariitti LED lighting kits

Includes:

- 6 LEDs,
- series connection cables (2 x 2.4 m ),
- jumpers (2 pcs.),
- extension cable (5 m),
- dimmable power supply (IP20), OTi DALI 15 (150 mA).



Code	Power
1532601	2700K
1532654	3000K
1532657	4000K

### Kit extension with 3 LEDs

Includes:

- 3 LEDs,
- connection cable (2.4 m ),
- jumpers (2 pcs.),
- **With this kit you can extend the Cariitti LED Lighting Kit to 9, 12 or 15 leds**



Code	Power
1532602	2700K
1532655	3000K
1532658	4000K



### PIRTA - light curtain

PIRTA is a ready-to-install set with pre-installed threaded ends attached to a metal base - they are connected to crystal luminaires. The light source is LED projectors built into the base, IP44 rated. PIRTA can be installed on the ceiling or on the wall, to be specified at the order stage.



Code	Type	Height	Width	Weight	Number of crystals
1527827	plaski 0.8	200cm	80cm	17kg	80
1527826	plaski 1.2	200cm	120cm	26kg	120
1527829	plaski 1.6	200cm	160cm	34kg	160

### TOIVE - crystal wall lamp

Toive is a modern and striking wall lamp that cannot be passed by indifferently. The light reflects off the crystals, creating unique illuminations on the wall. It is perfect for both private and public spaces: in living rooms, corridors or in the bedroom over bedside tables. The colour of the light is a warm white.

**Product information:**

- Transparent acrylic
- Chrome-plated aluminium
- 2 x 1 W
- 350 mA
- Lead-free crystal
- Power supply included, with 5 m cable
- Degree of protection IP44

Code
1527844



## NORTHERN LIGHTS - aurora borealis

The Northern Lights set imitates the phenomenon of the aurora borealis, known as the aurora. The Led projector is equipped with a Northern Lights effect, with changing Bluem, Green and Magenta colours, produced by LEDs. The Northern Lights kit is easy to install. It includes the projector (IP65 rated), a fibre bundle with a diameter of ø7mm and 1m long profiles.



Code	Description
1516620	Includes 2 profiles of 1m each
1516621	Contains 4 profiles of 1m each



## Starlight Sky

Starlight Sky is a lighting solution above all others. It is an impressive atmosphere creator that can be installed in all kinds of rooms and surfaces, such as a covered outdoor terrace or a bedroom ceiling. Based on fibre-optic technology, the Starlight Sky lamp is usually installed on the ceiling, but nothing prevents it from being used on wall or floor surfaces. This solution, which mimics the brilliance of the stars, is timeless.

Cariitti's Starlight Sky product package consists of a fibre optic and a projector, and some packages also include crystals. The product is equipped with a dimmable option and, with an additional dimmer, the desired brightness of the light can be selected, making it easy to change the mood of the room. The product is available in warm and cold colour temperatures. In the simplest case, the stars shine evenly, and with the additional dimmer they shine at the chosen brightness. There are also various standard projector effects to choose from. The so-called twinkle effect makes the stars brighten and dim asymmetrically, slowly back and forth, making the lighting more vivid. Blink effects are not only available in white light, but also in different Blueego shades and in a combination of white and Blueego.

The installation of Starlight Sky is carried out during the installation of the boards or surface panels, such as the roof. Even before they are installed, the required number of small fibre holes are drilled into the roof planks or panels. In the smallest sets, 75 holes are needed on the roof surface. The roof panels are then lifted up using a jack. The fibres are pulled through the wooden roof structure and then put through the drilled holes in the panels. The panels are then fastened to the roof trusses. Once the roof panels are in place and the fibres are installed in the holes, the seams of the roof panels need to be sealed, the roof painted and the ends of the fibres trimmed to their final length. If you do not want to interfere with the existing roof surface, you can install a separate ceiling panel for Starlight Sky.

The number of fibres in Starlight Sky depends on the customer, making the end result individual. Installing a single fibre in the roof panel through a pre-drilled hole creates a small star. If larger stars are to be created, slightly larger holes can be drilled, allowing several fibres to be connected. Stars of different sizes make a wonderful whole. After all, real stars are not identical either.

Although the installation of Starlight Sky requires some effort and care, it is not complicated at all. Do not hesitate to get started, as the end result is certainly satisfying.

### Recommended number of LED stars

1-2 m2	2 - 3 m2	3 - 4 m2	4 - 6 m2	6 - 10 m2	10 - 20 m2
75	75- 100	75-150	100-200	150-300	300-600



## LED Starlight Set - Set with 75 bundles

Ready-to-install kit consisting of 75 fibres, backlit by LED. Recommended area is 1-2 m<sup>2</sup>. Two colour temperature options: warm white or cold white.

### Product information:

- 1 W, 350 mA, 230 V, IP55
- Length of fibre : 4.0 m
- Number of stars: 75 pcs.
- No dimming capability



Code	Description
1832006	Warm white light 3000K
1832007	Cold white light 4000K

*Caritti*

## LED Crystal Star Set - Set with crystals

Ready-to-assemble set consisting of 75 filaments and 6 Swarovski Strass crystals, illuminated by LED.

### Product information:

- Power : 7 W
- Length fibre: 4.0 m
- Number of stars: 75 pcs.
- 6 crystals in 3 different shapes and sizes (2xCR-12, 2xCR-16 and 2xCR-31)
- Mounting cap for crystals in chrome



Code	Description
1532611	Cold white light 4000K

## VPAC LED Crystal Star Set

Ready-to-install kits comprising 100 or 200 LED fibre bundles (as per table) and a projector.

Two colour temperature options: warm white or cold white.

Code	Description	Number of LED stars	Recommended area	Length fibre / number of stars			
				2,5m	3m	3,5m	4m
1527460	Warm white light 3000K	100	2-3m <sup>2</sup>	50	50	-	-
1527461	Cold white light 4000K	100	2-3m <sup>2</sup>	50	50	-	-
1527464	Warm white light 3000K	200	4-6m <sup>2</sup>	50	50	50	50
1527465	Cold white light 4000K	200	4-6m <sup>2</sup>	50	50	50	50



## VPL30 Crystal Star

The complete, ready-to-install kit includes a projector, 100 fibre bundles of various lengths (as per the table) and 18 Swarovski Strass crystals, creating a total of 118 LED stars. The surface area of the star ceiling is approximately 3-8 m<sup>2</sup>. The projector is equipped with a twinkle effect, which makes the stars flicker slowly. The light sources are white or Bluee LEDs (according to the table). Fibre sizes ø 0.75 mm and crystals ø 3 mm.

The 18 Swarovski Strass crystals come in 3 different shapes and sizes (6xCR-12, 6xCR-16 and 6xCR-31).

Mounting cap of the crystals in chrome or gold (according to the table).

*Caritti*



Code	Description	Number of LED stars	Length fibre (number of fibre / number of stars)			
			2.0m	2.5m	3m	3,5m
1527610	VPL30T Chrome	118	25 / 4	25 / 5	25 / 5	25 / 4
1527611	VPL30T Gold	118	25 / 4	25 / 5	25 / 5	25 / 4
1527612	VPL30CT Chrome	118	25 / 4	25 / 5	25 / 5	25 / 4
1527613	VPL30CT Gold	118	25 / 4	25 / 5	25 / 5	25 / 4

\*Legend:

1) Colour of crystal mounting cap:  
 Chrome - chrome (silvery) colour  
 Gold - gold colour

2) Blink effect colour:  
 VPL30T - White LEDs  
 VPL30CT - Bluee LEDs

## VPL30 Standard set with flashing effect

The complete, ready-to-install kit includes a projector and fibre bundles of ø 0.75 mm of various lengths (according to the table). The projector is equipped with a twinkle effect, which makes the stars slowly flicker. This effect is reminiscent of a real starry sky, where the stars brighten and fade without a regular pattern. The light source of the projector is white LEDs.



Code	Ceiling surface	Number of LED stars	Length fibre (number of fibre / number of stars)				
			2.5m	3m	3.5m	4m	4.5m
1527601	2-3m <sup>2</sup>	100	50	50	-	-	-
1527603	4-6m <sup>2</sup>	200	50	50	50	50	-
1527608	6-10m <sup>2</sup>	300	-	75	75	75	75

## VPL30 Standard set with Bluee flashing effect

The complete, ready-to-install kit includes a projector and fibre bundles of ø 0.75 mm of various lengths (according to the table). The projector is equipped with a twinkle effect, which makes the stars slowly twinkle. This effect is reminiscent of a real starry sky, where the stars brighten and fade without a regular pattern. The light source of the projector is Bluee LEDs.



Code	Ceiling surface	Number of LED stars	Length fibre (number of fibre / number of stars)				
			2.5m	3m	3.5m	4m	4.5m
1527605	2-3m <sup>2</sup>	100	50	50	-	-	-
1527607	4-6m <sup>2</sup>	200	50	50	50	50	-
1527609	6-10m <sup>2</sup>	300	-	75	75	75	75

## Starry sky - starry pool bottom lighting

We can offer a bespoke fibre bundle including a projector. Length of fibre must be calculated from the technical room to the desired locations of the light points.

Optical fibres do not conduct electricity, only light, so they are safe for use underwater.

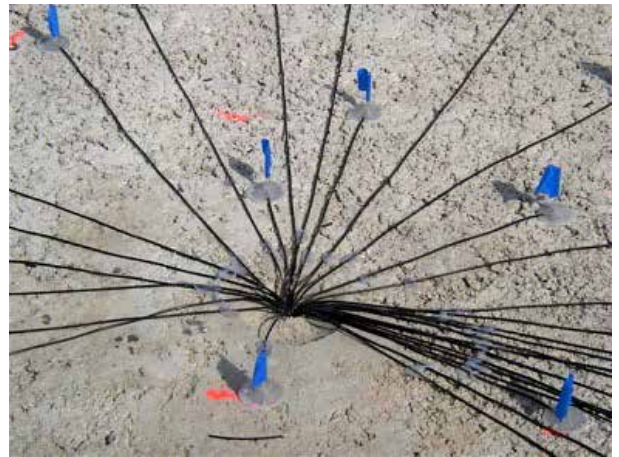
### The Starry Sky system can only be used in swimming pools tile pools.

The following is a technique for fixing fibres to the bottom of a concrete pool during its renovation:

1. A bundle of fibres (one bundle or each bundle) is run through the bottom of the pool at one point and the desired 'stars' are marked on the concrete:



2. individual fibres are distributed and fixed to the existing concrete surface:



2. individual fibres are distributed and fixed to the existing concrete surface:

**ATTENTION:** The ends of the fibres must be above the new layer of concrete. Once the concrete has dried, the underside can be finished and then the fibre ends should be trimmed to surface level.

**IMPORTANT:** In order for light to escape from the fibres, their ends must be clean!



**For a personalised quotation,  
please contact the sales department.**



## Swimming pool covers

COMPLETE POOL RETRACTORS.....	442
ACCESSORIES FOR RETRACTORS.....	442
SELF-ASSEMBLY KITS.....	443
UNDERWATER SWIMMING POOL ROLLER BLINDS.....	444
PROFILE TYPES.....	446
POLISH SWIMMING POOL CANOPIES.....	447

## COMPLETE SWIMMING POOL WINDERS



Swimming pool coilovers with solar film are an alternative to swimming pool canopies. They protect the water in the pool from pollution, precipitation, UV radiation and heat loss.

**Retractors fixed to the ground by means of a flange**



Code	Description
6013044	Length 2.7- 4.4 m
6013054	Length 3.7- 5.4 m
6013071	Length 5.4- 7.1 m

**Foot-operated coilers**



Code	Description
6014044	Length 2.7- 4.4 m
6014054	Length 3.7- 5.4 m
6014071	Length 5.4- 7.1 m

**Mobile rolling machines on wheels**



Code	Description
6015044	Length 2.7- 4.4 m
6015054	Length 3.7- 5.4 m
6015071	Length 5.4- 7.1 m

## REEL ACCESSORIES

**Set of retractor belts - Belt repair kit, 1.5 m each**

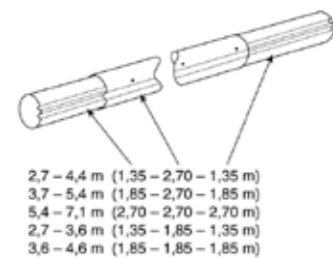
**Purpose:**

attachment of solar film to telescopic pole - spare part



Code	Description
6011007	7 strips
6011009	8 strips

**Anodised aluminium telescopic rods**



Code	Description
6011636	Length 2.7- 3.6 m
6011646	Length 3.7- 4.6 m
6011544	Length 2.7- 4.4 m
6011754	Length 3.7- 5.4 m
6011971	Length 5.4- 7.1 m

**Stainless steel retractor stands**



Code	Description
6013000	Tripod permanently fixed to the ground with collar
6015000	Mobile tripod on wheels
6018000	Swivel tripod

## SELF-ASSEMBLY KITS



**Product information:**

All components for assembly are included in one cardboard box.

**Kit components:**

- aluminium telescopic pole (anodised) 3 pcs.
- castor stand made of stainless steel
- screws and mounting accessories

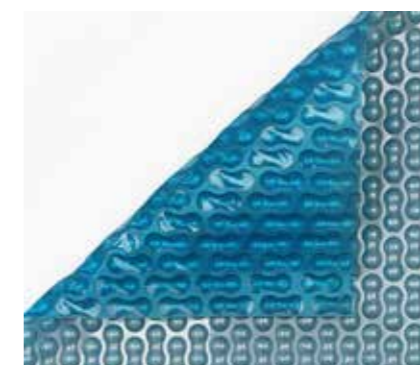
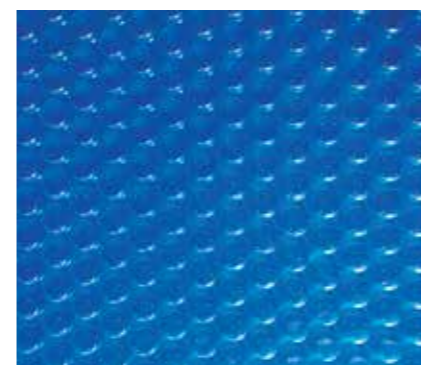
**Mobile coiling machines for self-assembly**



Code	Description
6010036	Telescopic coiler, Length 2.7- 3.6 m
6010046	Telescopic coiler, Length 3.7- 4.6 m



**Solar foil for retractors**



Code	Description	Colour
845998	Solar foil rectangular deLux 400 $\mu$ - 1m <sup>2</sup>	Blue
845995	Solar foil rectangular deLux 400 $\mu$ - 1m <sup>2</sup>	Black / blue
845993	Solar foil rectangular geobubble 500 $\mu$ - 1m <sup>2</sup>	Blue

**Other colours available on request:**

- blue
- transparent
- lilac
- black
- black-blue
- silver-blue
- light blue

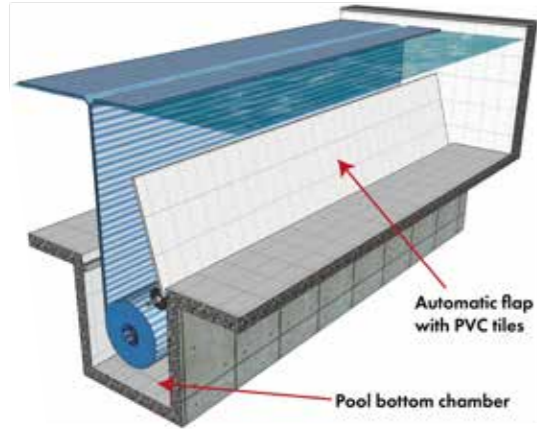
Code	Description
845999	Welded edge finished with eyelets and a set of pulling
845997	Staircase cut-out (according to the template)

# UNDERWATER SWIMMING POOL ROLLER BLINDS



The options available vary according to where the roller blind is installed. Price dependent on the size of the pool.

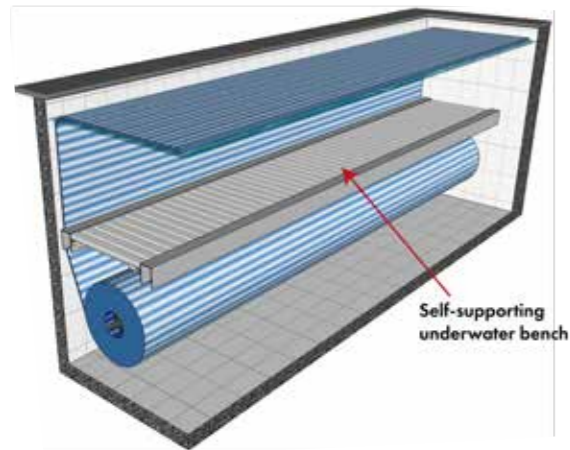
## AUK FLOOR TYPE



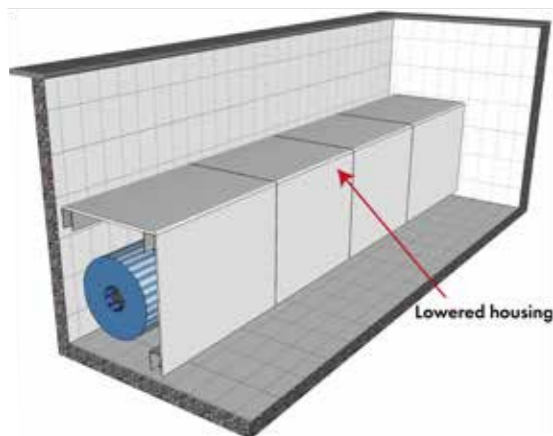
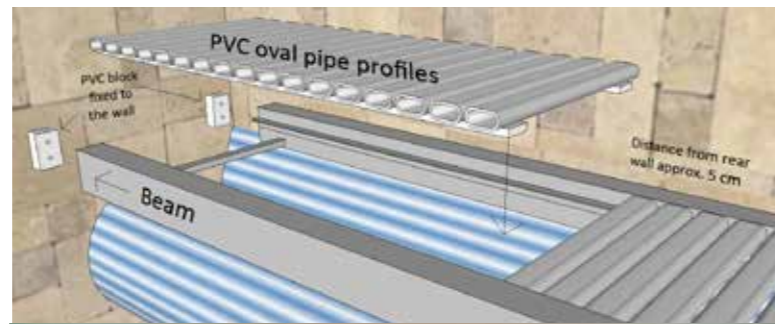
The retraction roller is located in a chamber in the bottom of the pool. The chamber is covered by an automatic flap with PVC panels, which can be tiled or covered with pool film. This version is ideal for pools where, due to the shape of the chamber basin, the roller cannot be positioned at the edge of the pool (e.g. oval pools) or if the louvre is to retract completely into the pool bottom.



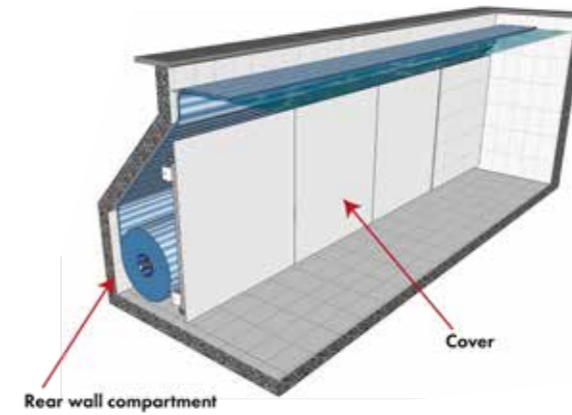
## FLOOR TYPE IBL



Retractor roller in the pool. The retractor roller is located in the pool basin. It can be covered with a self-supporting underwater bench or a drop-down enclosure. The PVC panels of the enclosure can be tiled or clad with pool film. Both the PVC panels and the oval PVC tube profiles of the underwater bench can be removed.



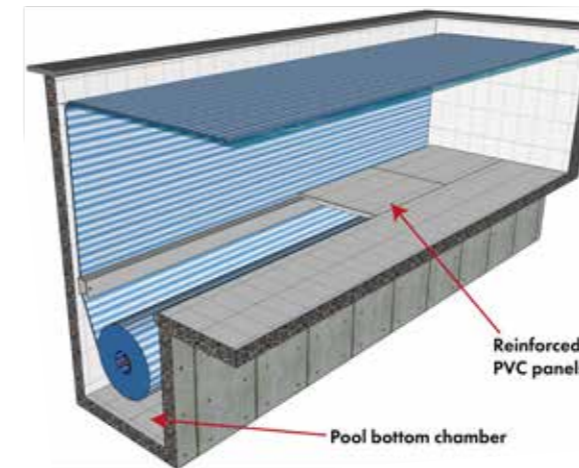
## RNU FLOOR TYPE



Retractor roller in the rear wall compartment. The retractor roller is located in a low recess in the rear wall. It can be covered with a cover. The PVC panels of the cover can be tiled or covered with pool film. They are individually removable.



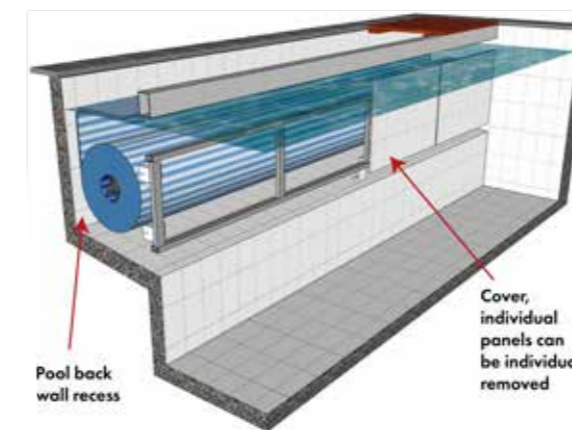
## SIB FLOOR TYPE



Retractor roller in the chamber in the bottom. The roll-up roller is located in a chamber in the bottom of the pool. The chamber is covered with reinforced PVC panels, which can be tiled or covered with pool film. The removable elements allow free access to the chamber.



## FLOOR TYPE RNO



Retractor roller in recess in rear wall. The retractor roller is located in the recess above in the rear wall. This can be covered by a cover. The PVC panels of the cover can be tiled or covered with pool film. They are individually removable.



## PROFILE TYPES



### Senior

Convex at the top and bottom - so they can be turned when dirty.



**Material:** PVC

**Dimensions:** 60x24mm

**Available colours:**

- grey
- white
- light blue
- dark blue
- beige
- sandy
- blue-transparent

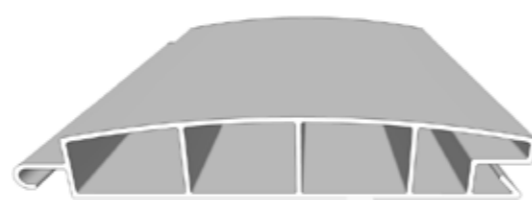
**Material:** Polycarbonate

**Dimensions:** 55.5x14mm

**Available colours:**

- transparent
- solar (black on the water side, transparent on the outside)

### Valior



**Material:** PVC

**Dimensions:** 83.5x16mm

**Available colours:**

- grey
- white
- light blue
- dark blue
- sandy

**Material:** Polycarbonate

**Dimensions:** 83.5x16mm

**Available colours:**

- transparent
- blue-transparent
- solar (black on the water surface, transparent on the outside)



## POLISH SWIMMING POOL CANOPIES



Polish Swimming Pool Canopies manufactured by HIMAN® are made from the best available materials.

Out of concern for the safety of users, the aluminium profiles used in the construction are manufactured by a reputable company Grupa Kęty, which gives you an unquestionable product quality.

The HIMAN® company is characterised by the diversity of its pool canopy models and its individual approach to each customer. This ensures that a fully personalised proposal reaches a satisfied customer. The experience and expertise of our company guarantees a high quality product and service. Specialised installation teams are actively involved in the project. HIMAN® provides warranty and post-warranty service.

**Advantages of pool canopies:**

- security
- extension of the season
- energy saving
- cleanliness
- minimisation of swimming pool chemicals
- UV protection
- easy to move segments
- mosquito protection



### Gold

Ergonomic, regular shape. The highest durability of the proposed models. Ideal for areas with heavy snowfall. The height of the canopy allows free use of the pool.



### Silver

It is an elegant and discreet model. The low-slung design blends in perfectly with the surrounding garden. When fully extended over the pool, it gives you the opportunity to swim freely and fulfils the most important of functions, ensuring the safety of our loved ones.



### Szafir

Functional and economical model. Integrated first, spacious segment with GOLD canopy line. Allows the creation of a "pool beach" on the shorter edge, which, thanks to the canopy, can be used much more often than weather conditions allow.



### Szafir Evo

Modern design, high functionality. Integrated first, spacious segment with the RUBIN roofline. Allows the creation of a "pool beach" on the shorter edge, which, thanks to the canopy, can be used much more often than weather conditions allow.



### Rubin Evo

A model with many possibilities. The free height of the side walls makes it possible to have a beach along two or more edges of the pool, plus it allows for extensive architecture around the pool.



### Rubin Maxi

The ideal model for leisure centres and guest houses. The variable height of the side walls makes it possible to have a beach along two or more edges of the pool, plus it allows for extensive architecture by the pool.



### Diament

Sophisticated design form. It combines aesthetics and functionality. This model makes it possible to create a beach along the three edges of the pool. It looks equally impressive standing alone or attached to a building wall. The diamond construction type allows a variety of installations around the pool, any ladders are not an obstacle.



### Brylant

Interesting structural form. Reinforced load-bearing profiles allow for the creation of a spacious beach area under the canopy. The corners of the volume are formed by curved panels of solid polycarbonate, which gives lightness to a structure of considerable size. In addition, the pool canopy is a large-area solar collector, which will enable passive heating of the water by up to 8°C.



**Platinum**

A perfect, harmonious line. Created for the free use of the pool from all sides. Provides the most space and comfort. With a canopy, you will experience what relaxation and active leisure is all about.



**Aqua Taras - sliding terrace systems**

- Made of top-grade materials resistant to harsh weather conditions and able to withstand loads of up to 150kg/m<sup>2</sup>.
- The structure is made of reinforced aluminium profiles. To protect them against corrosion they are anodised.
- The platform is covered with Gamrat composite boards of PREMIUM class, in a wide range of colours. or, at the customer's request, Siberian larch or other material specified by the buyer.
- Thanks to the thermal insulation made of cellular polycarbonate, the temperature of the pool water does not drop during cold nights.

**A built-in motor allows the platform to be moved and controlled completely effortlessly.**



**Pros:**

- Aesthetically pleasing appearance and minimal height - for those who appreciate an elegant canopy that does not interfere with the garden landscape.
- High level of care in the manufacturing of the elements.
- The sliding canopy protects the pool from unauthorised use.
- The closed platform protects the pool from dirt - leaves, sand, dust.
- Additional space for use in the form of a terrace! Simply set up your garden furniture and enjoy the sun!



**Fun and safety**

**WATER BASKETBALL.....452**  
**LIFEBELT AND ACCESSORIES.....452**

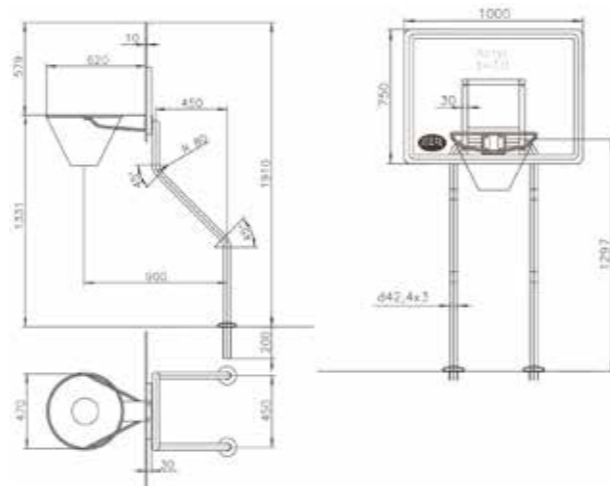
**Water basketball**

Sports activities in the pool in a different way. With the professional basketball hoop, which is mounted on the edge of the pool using a flange attachment, sports enthusiasts can follow in the footsteps of Martin Gortat. The basketball stand is quickly assembled and dismantled.

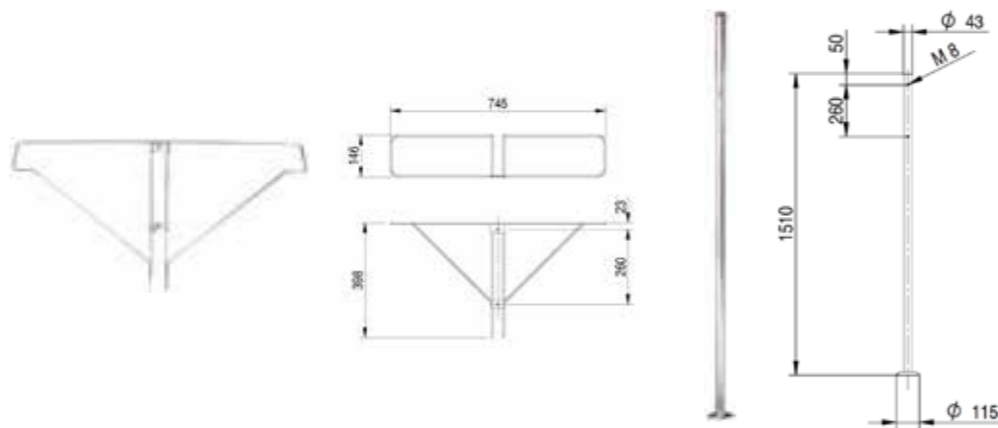


<b>Material</b>	<b>Backboard:</b> weather-resistant acrylic glass, printed <b>Fixings:</b> V2A stainless steel
<b>Weight</b>	33kg
<b>Height</b>	191 cm

<b>Code</b>
714010



**Lifebelt**



Code	Model	Description	Weight
07370000000	SVP	Lifebelt Ø 73	3 kg
073710300000F	SVSHF	Stainless steel wall bracket	1.2 kg
073711300000F	SVVHF	Stand with base Ø 43 x 1000 mm	3.1 kg



**Installations**

PIPES AND FITTINGS.....453-456  
 VALVES.....457  
 ADHESIVES FOR PIPING.....464  
 ELECTRIC BALL VALVES.....465

**IBG® PVC socket pipe, grey, PN10, Length 5m**



Code	D x S	Description
76928	50 x 2,4	pipe Ø 50 mm
76929	63 x 3,0	pipe Ø 63 mm
76930	75 x 3,6	pipe Ø 75 mm
76931	90 x 4,3	pipe Ø 90 mm
76932	110 x 4,2	pipe Ø 110 mm

**IBG® PVC socket pipe, grey, PN16, Length 5m**



Code	D x S	Description
76948	50 x 3,7	pipe Ø 50 mm
76949	63 x 4,7	pipe Ø 63 mm
76950	75 x 5,6	pipe Ø 75 mm
76951	90 x 6,7	pipe Ø 90 mm
76952	110 x 6,6	pipe Ø 110 mm

**FlexFit® pressure hose, grey, reinforced**



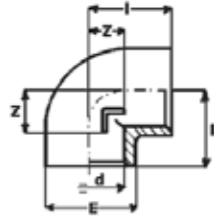
Code	d	PN	Collective packaging
71712	50mm	5	25m = 1 roll
71713	63mm	5	25m = 1 roll
73507	75mm	4	25m = 1 roll
74043	90mm	4	25m = 1 roll

**IBG® KW-KW socket**



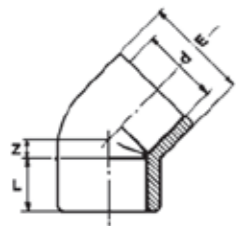
Code	d	PN	DN	l	Z	E	Collective packaging
70739	50	16	40	65.8	3	60	60
70740	63	16	50	80	3	75.1	50
70741	75	16	65	93	4	90	50
70742	90	16	80	106	5	105.5	30
70743	110	16	100	145	7	145	20

IBG® 90° elbow PN16, grey



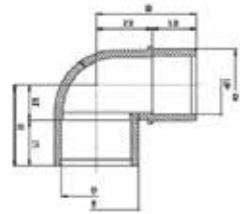
Code	d	l	Z	E	Collective packaging [pcs.]
70506	Ø50	57	26	62	40
70507	Ø63	71,5	32,5	76	35
70659	Ø75	82,5	38,5	92	30
70574	Ø90	97	46	110	10
70575	Ø110	117	56	136	8

IBG® 45° elbow PN16, grey



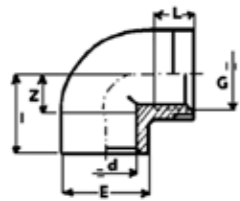
Code	d	l	Z	E	Collective packaging [pcs.]
70673	Ø50	31	11,5	62	50
70674	Ø63	31,5	14	77	45
70675	Ø75	43,5	16,5	90,5	40
70676	Ø90	51	19,5	110,5	20
70677	Ø110	61	23,5	131	9

IBG® 90° reducer elbow PN10, grey



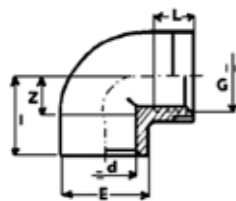
Code	d-D-d1	L	Z	L1	E	H	Collective packaging [pcs.]
71318	Ø63-50-63	74	37,5	82	77	104	35

IBG® 90° reducer elbow PN10, KW-GW



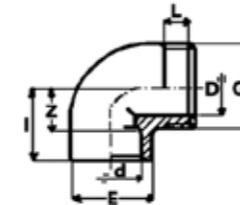
Code	d-G	L	L1	Z	E	Collective packaging [pcs.]
71137	50-1 1/2"	31	21,4	26	62	20
71138	63- 2"	38	25,7	32	77	35

IBG® 90° PN10 reinforced elbow, KW-GW



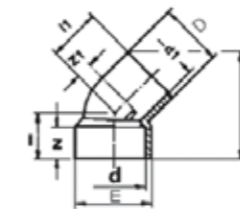
Code	d-G	L	L1	Z	E	Collective packaging [pcs.]
70821	50-1 1/2"	21,4	26	62	16	40
70822	63- 2"	25,7	32	77	16	35
70823	75- 2 1/2"	36	39	88	10	30
70824	90- 3"	39	46	105	10	10
70825	110- 4"	39	56	130	10	8

IBG® 90° elbow PN10, KW-GZ, grey



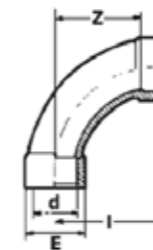
Code	d-G	D	l	L	Z	E	Collective packaging [pcs.]
70883	50-1 1/2"	38	57	21,4	26	62	40
71224	50- 2"	49,5	57	24,5	26	62	40

IBG® 45° reducer elbow PN10, grey



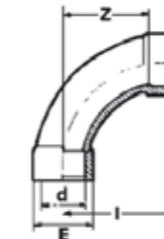
Code	d-D-d1	L	Z	L1	E	H	Collective packaging [pcs.]
71316	63-63/50	51,5	37,5	58	77	115	40

IBG® socket elbow 90° PN16, grey



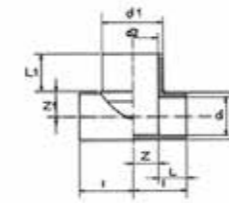
Code	d	l	Z	E	Collective packaging [pcs.]
70979	Ø50	131	100	62	60
70980	Ø63	164	126	76	30
70981	Ø75	190	149	94	14
70982	Ø90	231	180	112	5
70983	Ø110	283	222	137	4

IBG® socket bow 45°, grey



Code	d	B	Z	PN	Collective packaging [pcs.]
71337	Ø50	35	40	16	20
71338	Ø63	43	46	16	10
71339	Ø75	51	54	16	10
71340	Ø90	58	63	16	10
71341	Ø110	70	80	10	5

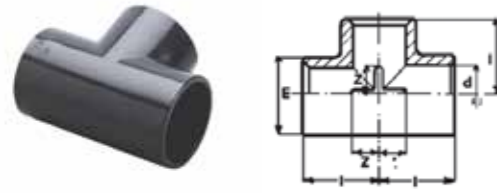
IBG® 45° T-piece



Code	d	PN	DN	l	l1	Z1	Z	B	E	O. Z.
70717	50	16	40	100	100	69	12	31	62	40
70718	63	10	50	124	124	86	14	38	77.5	30
70719	75	10	65	146	146	102	17	44	93	16
70720	90	10	80	172	172	121	20	51	116	9
70721a	110	10	100	209	209	148	24	61	128	3

O.Z. - Collective packaging

**IBG® T-piece 90° PN16, grey**



Code	d	l	Z	E	Collective packaging [pcs.]
70022	∅ 50	59,3	26	62,4	30
72632	∅ 63	71	32,5	78	30
70696	∅ 75	83,5	38,5	93	25
70697	∅ 90	99	46	112	18
70581	∅ 110	117	56	132	10

**IBG® T-piece 90° PN10, threaded**



Code	d-G	DN	l	L	Z	Z1	E	O.Z.
71141	50-1 1/2"	40	59.3	21.4	27.8	33.6	62.7	30
71154	63-2"	50	71.8	25.7	33.3	45.8	77.2	30

O.Z - Collective packaging

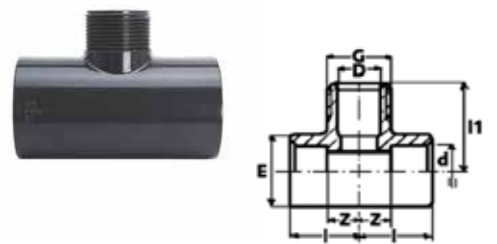
**IBG® 90° Reinforced T-piece, KW-GW**



Code	d-G	PN	DN	l	L	Z	Z1	E	O.Z.
70831	50-1 1/2"	16	40	59.3	21.4	27.8	33.6	61.7	30
70832	63-2"	16	50	71.8	25.7	33.3	45.8	77.2	30
70833	75-2 1/2"	16	50	71.8	25.7	33.3	45.8	77.2	18
70834	90-3"	10	65	82.5	34	38.5	48.5	88	10
70835	110-4"	10	80	97	41	46	56	105	7

O.Z - Collective packaging

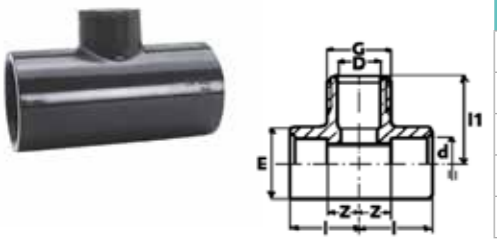
**IBG® T-piece 90°, PN10, KW-G**



Code	d-G	PN	DN	l	L	Z	Z1	E	O.Z.
71231A	50-1 1/2"	10	40	37	58.9	57	27	62	90
71234A	63-1 1/2"	10	50	35	71.8	70.3	33	77	40
71235A	63-2"	10	50	45	71.8	70.3	33	77	40

O.Z - Collective packaging

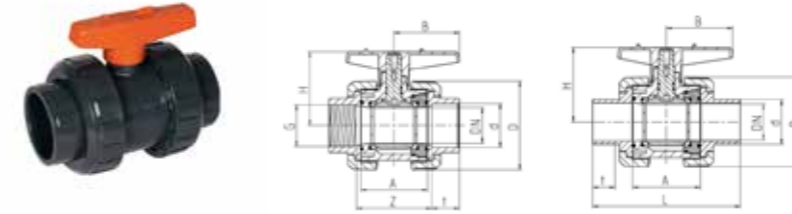
**IBG® reducer tee, PN16, KW-GW**



Code	d-d1	PN	DN	l	Z	Z1	E	E1	O.Z.
70023	63-50	16	50-40	71.2	33.4	32.1	76.7	63.8	30
71051	75-50	16	65-40	82.5	38.5	38.5	92	61	28
70958	90-63	16	80-50	97	46	46	110	77	10
70959	90-75	16	80-65	97	46	46	110	92.5	14
70962	110-90	16	100-80	117	61	61	133	110	8

O.Z - Collective packaging

**IBG® ball valve, PVC, grey, PN16**



Code	d	DN	PN	Collective packaging
125462	50	40	16	20
125463	63	50	16	10
128400	75	65	16	4
128428	90	80	16	4
129793	110	80	16	4

**IBG® directional check valve, PVC, grey, PN16, spring type 0.03 bar**



Code	d	DN	PN	Collective packaging
126359	50	40	16	20
126360	63	50	16	10

**IBG® directional check valve, PVC, transparent, PN16, spring type 0.03 bar**



Code	d	G	DN	D	A	Z	t	PN	Collective packaging
126365	50	1 1/2"	40	101.5	77	87	31.5	16	20
126366	63	2"	50	115.5	87	99	38.5	16	10

**IBG® hair and dirt trap, PVC, transparent, PN16**



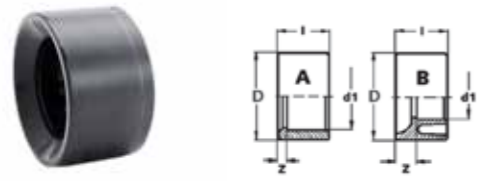
Code	d	DN	PN	Collective packaging
121706	50	40	16	10
121707	63	50	16	8
121708	75	65	16	4
121709	90	80	10	1
121710	110	80	6	1

**IBG® KW blank, PN 16**



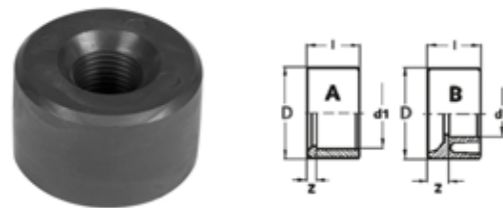
Code	d	DN	L	l	E	Collective packaging
70866	50	40	31	46.5	60.4	150
70867	63	50	38	56	75.7	80
70868	75	65	44	66	89.6	50
70869	90	80	51	77.2	107.6	50
70870	110	100	61	93	130	30

**IBG® short reduction KW-KW, Type A**



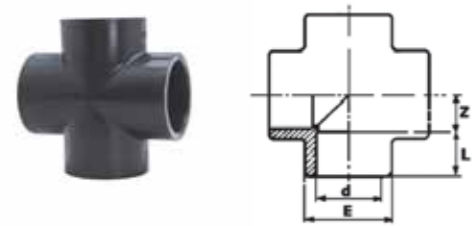
Code	D-d1	PN	DN x DN1	I	Z	Collective packaging
70500	63-50	16	50-40	38	6.5	140
70762	75-63	16	75-50	44	8	80
70766	90-75	16	80-65	51	7.5	40
70770	110-90	16	100-80	61	10	30

**IBG® KW-GW short reduction**



Code	d	Collective packaging
170032	50- 1/2"	100
170033	50- 3/4"	100
170030	63- 1/2"	100
170031	63- 3/4"	100

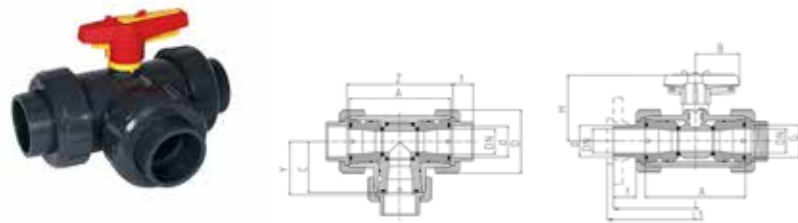
**IBG® cross-piece**



Code	d	PN	DN	I	Z	E	O. Z.
70727	50	16	40	32	26	63	54
70728	63	16	50	38.5	32.5	77	25
70729	75	10	65	41.4	38.5	92	16
70730	90	10	80	52.5	46	106	5
70731	110	10	100	61	56	133	5

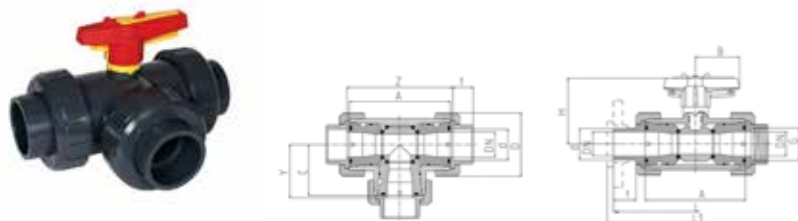
O.Z - Collective packaging

**Ball valve type L, IBG®, PVC, grey, PN16, flow directional control valve**



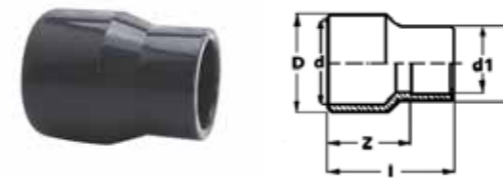
Code	d	DN	PN	Collective packaging
122718	50	40	16	5
122719	63	50	16	4

**Ball valve type T, IBG®, PVC, grey, PN16, flow directional control valve**



Code	d	DN	PN	Collective packaging
122715	50	40	16	5
122716	63	50	16	4

**Long reduction IBG® KW-KW-KW**



Code	D-d-d1	PN	DN	I	Z	E	O. Z.
70805	75-63-50	16	65-50-50	93	62	63.5	50
70809	90-75-63	16	80-65-50	112	74	76.5	20
70812	110-90-75	16	100-80-65	112	68	92	12

O.Z - Collective packaging

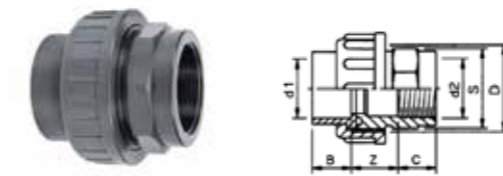
**IBG® KW-KW screw socket**



Code	d	PN	DN	E	G	L	I	II	Z	O. Z.
70684	50	16	40	83	2 1/4"	80	34	45	17	32
70685	63	16	50	103	2 3/4"	99	42	56	21	20
70686	75	10	65	118	3 1/2"	108	47	62	20	20
70687	90	10	80	135	4"	124	56	68	22	20
70688	110	10	100	163	5"	138	66	72	16	6

O.Z - Collective packaging

**Mufa rozkręcana IBG® KW-GW screw-out socket, PN 10**



Code	d-G	DN	L	G1	I	II	Z	E	O. Z.
71219	50-1 1/2"	40	80	2 1/4"	34	45	17	83	32
71220	63-2"	50	98	2 3/4"	41	56	21	103	20

O.Z - Collective packaging

**IBG® KW-GZ screw socket with O-ring, PN 10**



Code	d-G	DN	G1	L	Z1	Z2	O. Z.
71973	50-1 1/2"	40	2 1/4"	48	58	83	60
71975	50-2"	40	2 1/4"	60	70	83	40
71977	63-2"	50	2 3/4"	60	70	103	35

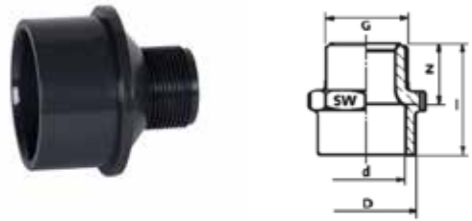
O.Z - Collective packaging

**IBG® KW-GZ nylon socket, PN 16**



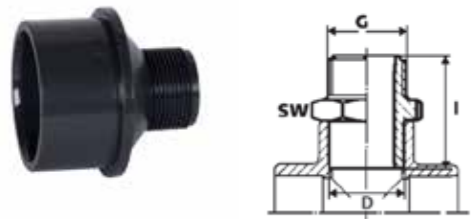
Code	d/D-G	DN	I	Z	SW	Collective packaging
70508	50 - 1 1/2"	40	65	34	65	120
71296	50- 2"	40	65	34	65	50

IBG® KW-KZ nylon socket, PN16



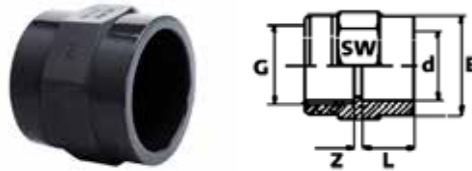
Code	d/D-G	DN	I	Z	SW	Collective packaging
71297	50 /63-1 1/2"	40	65	34	65	120
71298	50 /63- 2"	40	78	43	80	50

IBG® nipple nylon transition, PN16



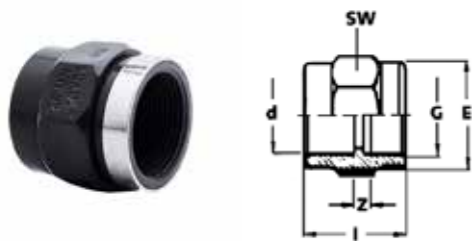
Code	d/D-G	DN	I	Z	SW	Collective packaging
71311	50 -1 1/2"	40	65	34	65	170
71312	50 - 2"	40	65	34	65	100
71289	63- 2"	40	65	34	65	50

IBG® KW-GZ transition socket, PN 10



Code	d - G	DN	L	Z	SW	E	Collective packaging
71238	50 -1 1/2"	40	31	7	65	62	100
71239	63 - 2"	50	38	7	80	78	90

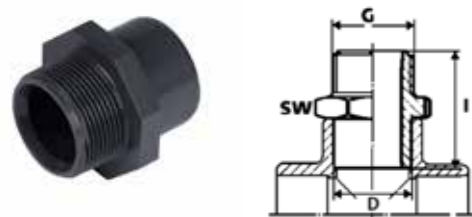
IBG® KW-GW reinforced transition socket



Code	d - G	PN	DN	I	Z	SW	E	O. Z.
70841	50 -1 1/2"	16	40	59.4	7	65	64	110
70842	63 - 2"	16	50	71	7	80	76	90
70843	75 - 2 1/2"	10	65	80	3	94	90	40
70844	90 - 3"	10	80	90	3	114	110	24
70845	110-4"	10	100	106	5	137	130	15

O.Z - Collective packaging

IBG® KW-GZ transition nipple, PN 16



Code	D - G	DN	I	SW	Collective packaging
70851	50 -1 1/2"	40	66	65	90
71287	63 - 1 1/2"	50	78	80	50
70852	63 - 2"	50	78	80	45

IBG® GZ-GZ double nipple, PN 10



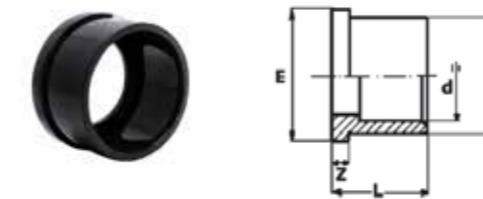
IBG® GZ plug, PN 10



Code	G	DN	I	SW	Collective packaging
71196	1 1/2"	40	57	55	100
71197	2"	50	68	65	100

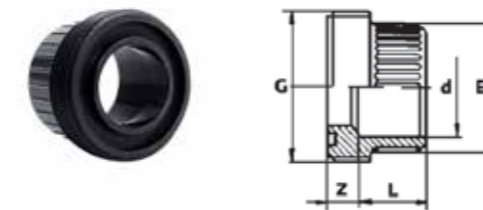
Code	G	I	SW	Collective packaging
71212	1 1/2"	37	55	100
71213	2"	42	65	100

IBG® KW-KW screw-in socket, PN 16



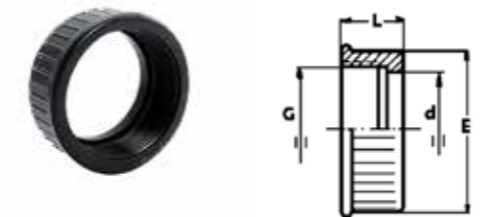
Code	d	DN	L	Z	D	E	Collective packaging
70564	50	40	34	7	59	62.6	250
70565	63	50	41	8	74	78.4	100

IBG® KW-GW spigot for screw couplers, PN 16



Code	d	DN	G	L	Z	E	Collective packaging
71124	50	40	2 1/4"	33	40	61	45
71125	63	50	2 3/4"	42	50	76.5	35

IBG® KW-GW connection nut for screw couplers, PN16



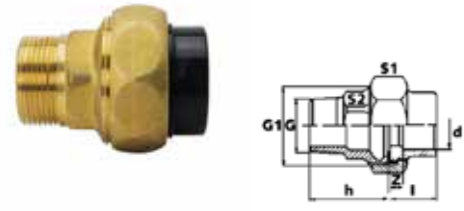
Code	d	DN	d	L	E	Collective packaging
70570	2 1/4"- 50	40	59.1	32	83	60
70571	2 3/4"- 63	50	74.1	37.5	103	50

IBG® O-ring for spigots



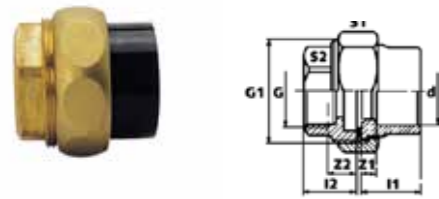
Code	d	DN	D	d1	S	Collective packaging
50216	50	40	57.76	47.1	5.34	100
50272	63	50	70.46	59.8	5.34	100
50298a	75	65	86.23	75.57	5.33	1
71432	90	80	98.93	88.27	5.33	50
71433	110	100	124.33	113.67	5.33	50

Screw for IBG® heat exchangers, gunmetal, KW-GZ, PN 16



Code	d - G	DN	G1	h	l	z	S1	S2	Collective packaging
70990	50-1 1/2"	40	2 1/4"	62	34	7	72	80	10
71192	63- 2"	50	2 3/4"	69	41	8	89	61	10

Screw for IBG® heat exchangers, gunmetal, KW-GW, PN 16



Code	d - G	DN	G1	I1	I2	Z1	Z2	S1	S2	O. Z.
71185	50-1 1/2"	40	2 1/4"	34	36	7	10	72	53	18
71186	63- 2"	52	2 3/4"	41	42	8	10	89	65	12

O.Z - Collective packaging

Screw for IBG® heat exchangers, stainless steel, KW-GZ, PN 16



Code	d - G	DN	G1	h	l	z	S1	S2	O. Z.
73542	50-1 1/2"	32	2"	54	29	7	64	62	10
73543	63- 2"	40	2 1/4"	62	34	7	72	80	10
73544	70- 2 1/2"	50	2 3/4"	69	41	8	89	61	10
73545	90- 3"	15	1"	25	19	5	37	38	10
73546	110- 4"	20	1 1/4"	27	22	6	46	44	10

O.Z - Collective packaging

Screw for IBG® heat exchangers, stainless steel, KW-GW



Code	d - G	DN	G1	I1	I2	Z1	Z2	S1	S2	O. Z.
73533	50-1 1/2"	32	2"	29	33	7	9	64	50	10
73534	63- 2"	40	2 1/4"	34	36	7	10	72	53	10
73535	75-2 1/2"	52	2 3/4"	41	42	8	10	89	65	10
73536	90-3"	15	1"	19	22	5	7	37	26	10
73537	110- 4"	20	1 1/4"	22	27	6	8	46	30	10

O.Z - Collective packaging

Aqua Max®

water-repellent, solvent-free assembly adhesive based on SMP-Polymer 425g

Innovative polymer technology makes Griffon Aqua Max® very suitable for applications in and around water. This technology ensures that the product is resistant to chlorine and seawater, and is also UV and chemical resistant. Aqua Max® also has a very high final bond strength, has no shrinkage, is solvent-free and paintable. Furthermore, it is temperature resistant from -40°C to +100°C. As the product also adheres underwater, it becomes possible to carry out the installation or sealing task without having to drain the pool first. Thus, the contractor will not lose valuable time.

Griffon Aqua Max® is suitable for a wide range of applications such as bonding and sealing skimmers, edging, tiles, canopies and sealing spouts and expansion joints.



Code	Colour
78582	White
740134	Grey



IBG® KW-GZ tank adapter with seal



Code	d	d2	d3	Z1	C	D	Collective packaging
73417	50	63	2"	21	38	52	45
73419	63	75	2 1/2"	23	44	53	24
73420	75	90	3"	36	51	56	21

IBG® PVC muffleless pipe, transparent, Length 5m



They will be ideal as an installation flow viewer

Code	D x S	Description	PN
74261	50 x 2,4	pipe Ø 50 mm	10
73717	50 x 3,7	pipe Ø 50 mm	16
74262	63 x 3,0	pipe Ø 63 mm	10
73718	63 x 4,7	pipe Ø 63 mm	16
76211	75 x 6,3	pipe Ø 75 mm	10
76212	90 x 4,3	pipe Ø 90 mm	10
76213	110 x 5,3	pipe Ø 110 mm	10

IBG® tube holder, type C, clamp



Code	d	Z	Z1	G	W	Collective packaging [pcs.]
71072	Ø50	68,5	74,5	41,5	22,5	100
71073	Ø 63	85	94	50	23,5	80
71074	Ø 75	101	110	58	25,5	60
71075	Ø 90	120	129	68	25,5	60

Code	d	d1	Z	G	G1	W	Collective packaging [pcs.]
70184	Ø 110	167	189	80	17	26.6	80

Corrugated hose



150258

150258

150244

150209

150244

150218

150217

Code	Description	Size (mm)
70588a	Blue corrugated hose	Ø 32
75597		Ø 38
150244	Hose connection, double	Ø 32
150245		Ø 38
150209		Ø 32/38
150258	Hose connection, stepped	Ø 32/38 x KZ 50
150217	Hose connection	Ø 39 x GZ 1 1/2, 6 bar
150218	Hose connection	Ø 39 x KZ 50, 6 bar

## ADHESIVES FOR PIPING

### Griffon® XT 100 brush adhesive

Use only for PVC pipes, not suitable for flexible PVC hoses.



Code	Capacity	Collective packaging
20237	250 ml	24
20238	500 ml	12
20239	1000 ml	8
20241	5000 ml	1

### Griffon® WDF-05

Quick-drying glue with a bluish brush for use in humid rooms. Suitable for flexible PVC hose and pipes.



Code	Capacity	Collective packaging
20233	150 ml	10
20224	250 ml	24
20223	500 ml	12

### Cleaner Griffon® PVC, PVC-C & ABS



Code	Capacity	Collective packaging
20041	125 ml	20
20077	250 ml	12
20206	500 ml	12
20031	1000 ml	6



How important **good quality** piping is has been experienced by those who have encountered a leak problem

## ELECTRIC BALL VALVES

### Ball valve S6 2W PVC Grey, EPDM PTFE, 230V AC



Code	d	DN	PN
126547	50	40	3

### Ball valve S6 2W PVC Grey, EPDM PTFE, 230V AC



Code	d	DN	PN
126548	63	50	3

### Ball valve S6 2W PVC Grey, EPDM PTFE, 12-24V AC/DC



Code	d	DN	PN
129801A	50	40	3

### Ball valve S6 2W PVC Grey, EPDM PTFE, 12-24V AC/DC



Code	d	DN	PN
129802A	63	50	3

### Ball valve S4 3W three-way T-ball PVC Grey, EPDM PTFE, 230V AC



Code	d	DN	PN
129630	50	40	3

### S4 three-way ball valve T-ball PVC Grey, EPDM PTFE, 12-24V AC/DC



Code	d	DN	PN
129629A	50	40	3

## GEOMEMBRANES FOR SWIMMING PONDS AND NATURAL PONDS

Made from the purest raw materials, Elbe Natural Classic, Natural PEARL and Natural SUPRA membranes are the most health-friendly on the market. They meet the requirements of the EN 71-3 standard for plastics used in the toy industry.

### Natural Pond

hydraulic engineering and pond construction - also for filter ponds and regeneration zones.

Non-toxic to fish and plants, and resistant to weather and cold, the Natural Pond liner can be used flexibly in the construction of ponds and water reservoirs. It is an excellent solution especially for ponds with filters or when designing regeneration areas. Natural Pond is an unreinforced membrane. Available in various thicknesses and colours.

- UV stabilized
- Heavy metal free
- Easy to weld
- Easy to clean
- Unreinforced



#### Green

Code	Thickness	Roll length	Width	Packing
2000348	1.5mm	15m	2.0m	16 rolls on a pallet



#### Anthracite

Code	Thickness	Roll length	Width	Packing
2100302	0.5mm	30m	2.0m	35 rolls on a pallet
2100303	1.0mm	20m	2.0m	20 rolls on a pallet
2100299	1.5mm	15m	2.0m	16 rolls on a pallet



#### Black

Code	Thickness	Roll length	Width	Packing
2000608	2.0mm	15m	2.0m	16 rolls on a pallet

## Natural pools and swimming ponds

GEOMEMBRANES FOR SWIMMING PONDS AND NATURAL PONDS.....	467
ACCESSORIES.....	470
TOOLS.....	471
PVC GATE VALVES FOR SWIMMING PONDS.....	471





### Natural Classic - reinforced membrane for swimming ponds

Natural Classic is a reinforced membrane, extremely durable and highly resistant to all conditions. Thanks to the low accumulation of toxic gases during welding, installers inhale significantly less harmful substances.

- Biocide-free
- Easy to weld
- Easy to clean
- Reinforced



**Black / Green**

Code	Thickness	Roll length	Width	Packing
2000366	1.5mm	25m	2.0m	12 rolls on a pallet

### Natural Classic anti-slip

In addition to its beautiful appearance, anti-slip protection also plays an important role in natural pools and swimming ponds. The Natural Classic Non-Slip membrane provides maximum anti-slip safety on steps, in bathtubs and other places around natural pools. Manufactured in accordance with the EN 71-3 standard, classified as an anti-slip pond membrane with special embossing, it always allows safety and comfort when walking.



**Black / Green**

Code	Thickness	Roll length	Width	Packing
2000920	1.9mm	10m	1.65m	15 rolls on a pallet

### Natural SUPRA - reinforced membrane for swimming ponds with acrylic coating

Natural SUPRA membranes have a special surface that makes contamination and discolouration, as well as complicated cleaning, a thing of the past. Removing biofilm is child's play. In addition, the surface finish of the membrane prevents premature aging and thus extends its service life. Extremely durable and resistant, it impresses not only with its excellent product properties, but also provides a natural swimming experience.

- Special surface
- Biocide-free
- Easy to weld
- Easy to clean
- Reinforced



**Dark Green**

Code	Thickness	Roll length	Width	Packing
2001139	1.5mm	25m	2.0m	8 rolls on a pallet



**Slate Grey**

Code	Thickness	Roll length	Width	Packing
2001137	1.5mm	25m	2.0m	8 rolls on a pallet



**Light Grey**

Code	Thickness	Roll length	Width	Packing
2001264	1.5mm	25m	2.0m	8 rolls on a pallet



**Sand**

Code	Thickness	Roll length	Width	Packing
2001209	1.5mm	25m	2.0m	8 rolls on a pallet

**Natural PEARL** - reinforced membrane for swimming ponds with acrylic coating and unique pearl print

Natural PEARL membranes brighten up any body of water. Whether it is an ecological pool, a swimming pond or a natural pool - Natural PEARL is perfectly prepared for use in almost natural bathing areas. Excellent optical properties make every pool shine in particularly natural light. Thanks to its unique surface, the membrane is easy to clean, while removing biofilm is child's play. Natural PEARL is characterized by high UV resistance, prevention of premature aging and easy installation.

- Amazing reflective effect
- Special surface
- UV resistance
- Biocide-free
- Easy to weld
- Easy to clean
- Reinforced

**Dark Green**



Code	Thickness	Roll length	Width	Packing
2001141	1.6mm	25m	1.65m	8 rolls on a pallet

**Slate Grey**



Code	Thickness	Roll length	Width	Packing
2001140	1.6mm	25m	1.65m	8 rolls on a pallet

**ACCESSORIES**

**Joint fillers**

Liquid PVC does not replace welding the swimming pond membrane with hot air! It is recommended for sealing the transitions between membrane welds. It also helps to optically improve the appearance of the weld and prevents dirt from settling on the weld.



Colour	Slate Grey	Dark Green	Green	Transparent	Capacity	Collective packaging
Code	2100752	2100753	2100749	2100745	950ml	6 puszek w kartonie

**Köralit F 143 contact glue**



Code	Capacity	Collective packaging
2100042	700g	6 puszek w kartonie

**Geotextile glue**



Code	Capacity
2100397	5kg

**Bostik 1782 contact glue - for soft and rigid PVC**

Code	Capacity	Code	Capacity
30811494	1l	30022060	5l

**Assembly rivets**



Code	Dimensions	Package
15006	4.8 x 35mm	200pcs.

**TOOLS**

**Liquid film applicator**  
precise



Code	Capacity
C WIT93593	125ml
C WIT93793	250ml
C WIT93993	500ml
C WIT94193	1000ml

**Liquid film applicator**  
classic



Code	Capacity
C WIT132593	250ml
C WIT132693	500ml
C WIT132793	1000ml



**SWIMMING POND LINER SAMPLES AND CATALOGUES**

Product catalogue

Code #1414

Brochure

Code #1415 /16

ELBE Natural Surface®

Code #1367

**PVC GATE VALVES FOR SWIMMING PONDS**

Grey, 2.5 bar



Code	Diameter	Collective packaging
70968	50 mm	30 pcs.
70632	63 mm	25 pcs.
71518	75 mm	18 pcs.
71461	90 mm	2 pcs.

Complete range on request

@

## Products for bathing ponds and small ponds





# SPA and SWIM SPA bath collection

BENEFITS OF HYDROTHERAPY.....474

CONSTRUCTION.....476

THERMAL COVER.....478

AUDIO SOUND SYSTEM.....479

SPA BATHS.....480-497

SWIMSPA.....498-507

ICESPA.....508

DEDICATED ACCESSORIES FOR BATHTUBS AND SWIM SPAS.....510

## BENEFITS OF HYDROTHERAPY



A spa bath will help you relax and unwind, and has a beneficial effect on falling asleep and the quality of your sleep. The heat expands blood vessels, improves circulation and reduces pain. Immersing yourself in a hot bath, even for a short period of time, brings many health benefits. The collection of ergonomic spa baths has been designed using therapeutic principles. Each model adapts to the shape of your body, providing proper lumbar support and maximum comfort, while the water massage jets relieve stress and muscle tension. While bathing, your body will experience the wonderful effects of a pearl massage. Christi SPA bathtubs will provide comfort and delight even the most demanding customers.



# DESIGN

a home spa

## ALL POSSIBILITIES



### HYDROMASSAGE

The innovative SPA BATHS equipped with multifunctional whirlpool jets allow you to relax, unwind and enjoy every day. It is a source of inspiration that you can draw on at any time to take care of your health, bodily needs and mental comfort.



### FOOT MASSAGE

Foot massage helps relieve muscle and joint pain. It gives a pleasant, relaxing feeling and helps you get a good night's sleep.



### LEG MASSAGE

Comfortable loungers generate a water massage specifically designed for the leg muscles. Hydrotherapy will help you effectively say goodbye to muscle aches and strains.



### DIRECT MASSAGE

Direct jets create a high-pressure water massage. Their constant power acts on any part of the body to relieve aches and pains.



### ROTATIONAL MASSAGE

The shock-based water massage is a lipoactive and firming body massage with highly effective results when used regularly. The body becomes firm and supple, without the need for the use of aesthetic medicine treatments.



# CONSTRUCTION



### CONTROL

all SPA BATHS are equipped with the intuitive Balboa® control system

### TROUGH

spacious acrylic bathtub interior with Microban® antimicrobial coating ensures functionality and a flawless appearance for years of use

### ELECTRICAL SYSTEM

the power supply and control unit as well as the electric wires are insulated to ensure 100% safety



### ENCLOSURE

top-quality, aesthetically pleasing bathtub enclosure with a modern wood imitation structure is a guarantee of a long-lasting good look

### CONSTRUCTION

the construction of all tubs is made of robust type 306 stainless steel

### BATHTUB BASE INSECT PROTECTION

the durable base makes it possible to position the tub anywhere. Has protection against pests such as insects and rodents



# EQUIPMENT top quality components



### WATER MASSAGE PUMP

A high-flow scroll design pump with a 2-inch inlet and outlet, ideal for use as spa bath equipment. Single-phase powered, the pump has thermal protection (class T1). The motor accepts high temperatures and has a rugged bearing to ensure long life and reliable operation. Insulation class F, protection class IPx5. The pump has approved certification: CE, TUV, SAA, KC, ETL.



### CIRCULATION PUMP

A high-quality, durable and extremely quiet circulation pump. It is suitable for continuous operation and has an integrated mounting bracket.



### AIR BLOWER

The air blower has a revolutionary turbo design for greater air output with less power. The air motors operate quietly. As an added feature, all baths can be equipped with a fully integrated aromatherapy system that infuses fragrance directly into the spa. The power of natural fragrance both refreshes and relaxes, completing a completely therapeutic bath.

## THERMAL COVER

### A.

Frame reinforcement from solid aluminium alloy profile - prevents the cover from collapsing

### B.

ZEROtex moisture barrier - maintains the optimum value

### C.

Premium insulation for maximum heat retention and durability

### D.

Durable weather strips secure the lid and prevent heat loss

### E.

The polyamide multilayer bottom provides superior durability and antibacterial protection

### F.

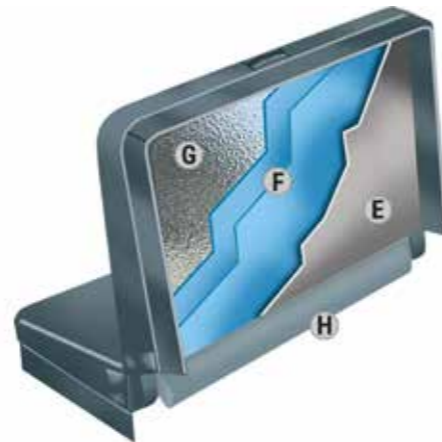
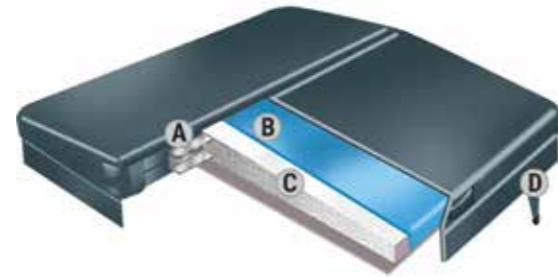
Double-laminated core option for maximum water protection

### G.

Energy Reflex thermal mirror retains radiant heat

### H.

Full-length Heat Seal option eliminates heat loss at centre hinge



\* Optional thermal covers suitable for each bath model and stairs available in sizes: M, L and XL.



## BLUETOOTH AUDIO SYSTEM

The premium sound system features Bluetooth, two full-range, high-fidelity speakers. Simply pair your smartphone to stream music wirelessly.



# 1. SPIRIT

## 3-seater Standard Series bathtub

2 seats, 1 recliner

dimensions: 210 x 168 x 88 cm

weight without water: 275 kg

water volume: 800 l

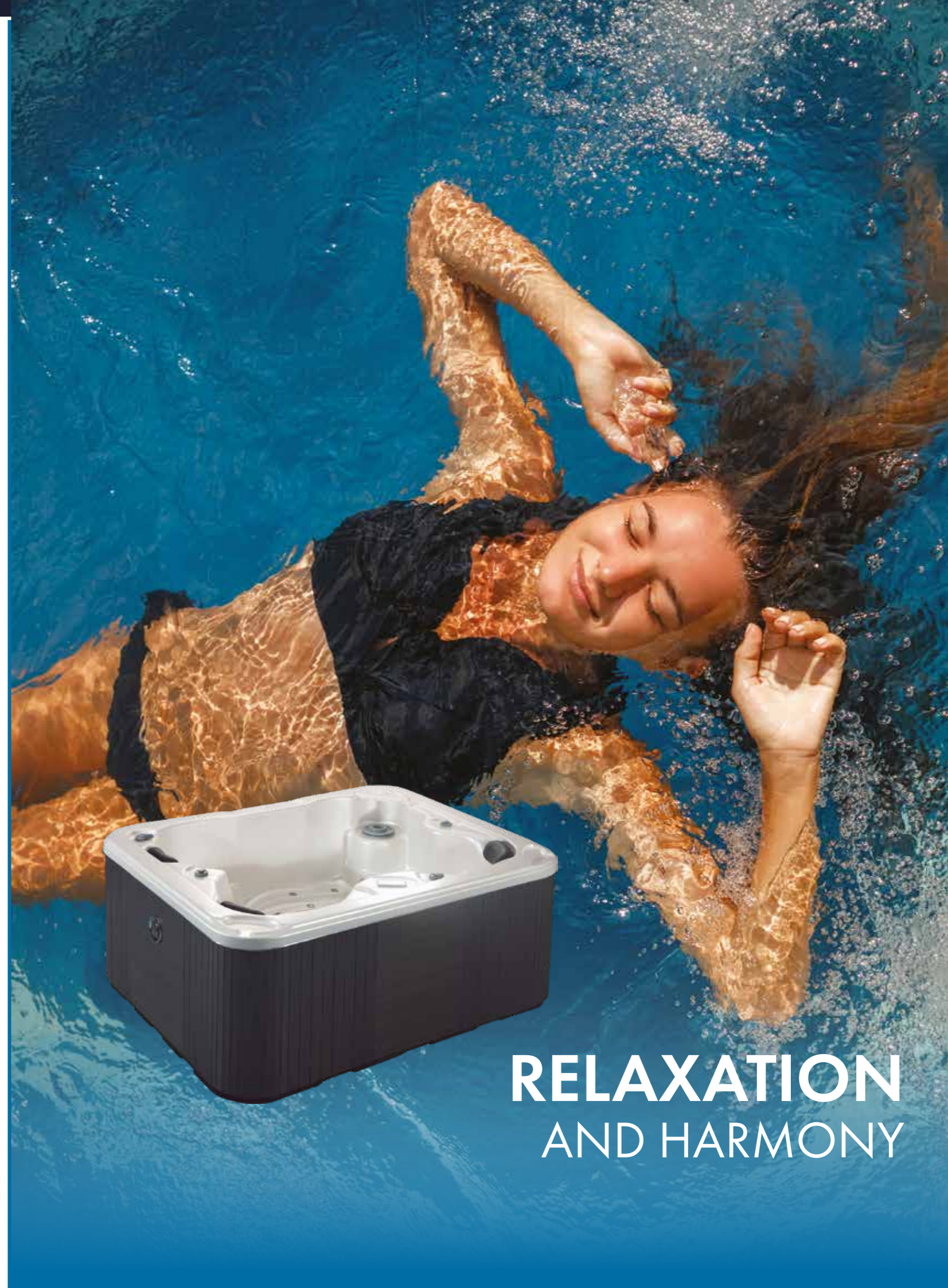


### EQUIPMENT

- 38 water massage jets
- 2-speed hydromassage pump with 2 HP
- Balboa Standard/Gecko control\*
- Interior sound system Bluetooth Audio System - 2 pcs.
- LED multicolour halogen - 1 pc.
- 10-point water level lighting
- acrylic bathtub trough with Microban® antimicrobial coating
- BASF® Fiber Core bath insulation
- Silence O<sub>3</sub> ozonizer
- circulation pump
- 3 headrests
- bathtub base Insect Protection
- optional 8 air nozzles
- optional 1 hp Air Stream blower



\*Optional Gecko control system at extra cost



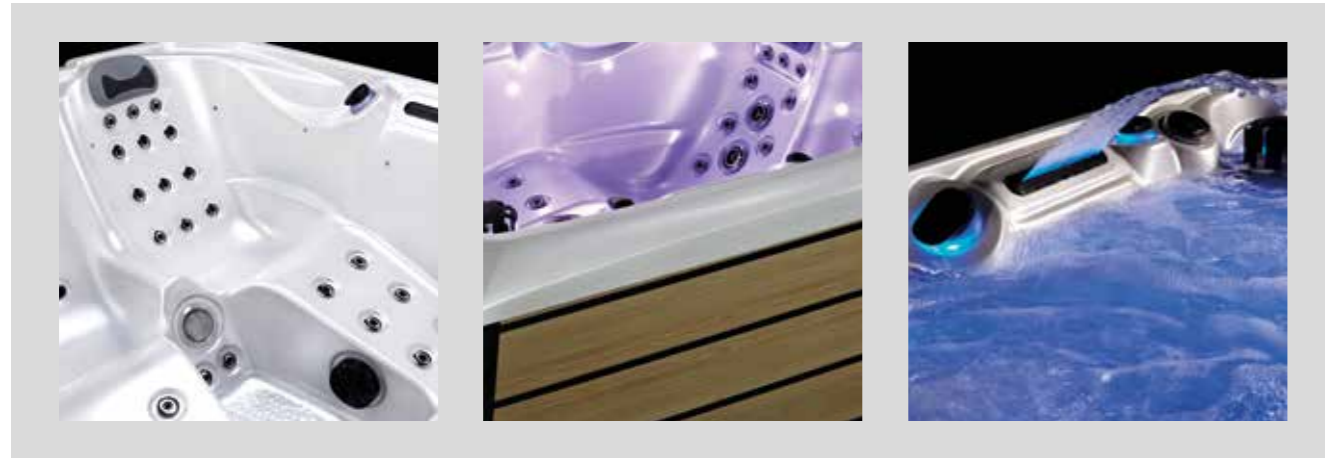
**RELAXATION  
AND HARMONY**

## 2. SILVER STAR

### 3-seater bathtub Exclusive Series

1 seat, 2 recliners

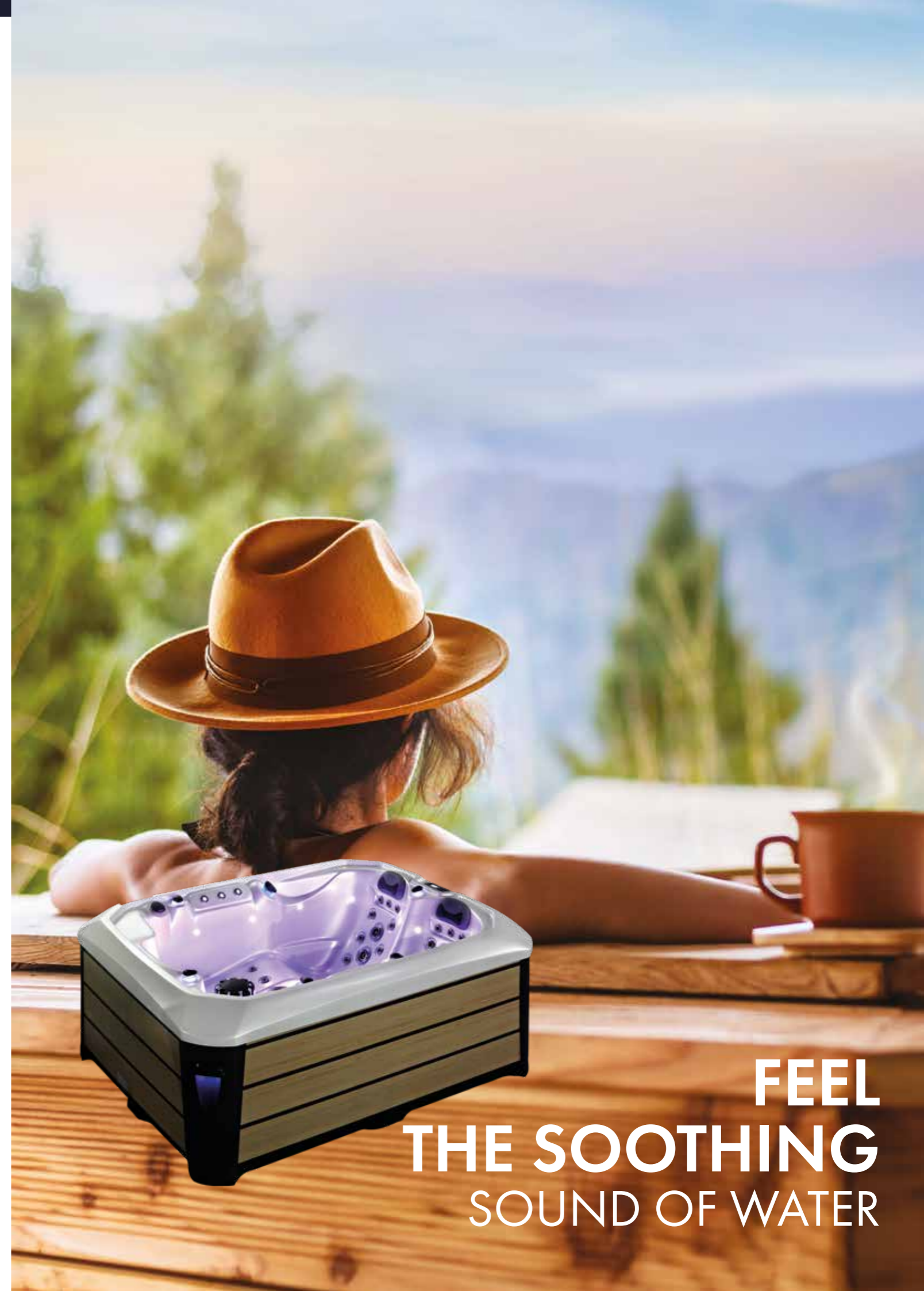
dimensions: 214 x 166 x 88 cm  
weight without water: 300 kg  
water volume: 800 l



#### EQUIPMENT

- 43 water massage jets
- 3 cascade nozzles
- two 2-speed hydromassage pumps, each with 2 HP
- 8 air nozzles
- 1 hp Air Stream blower
- Balboa Exclusive / Gecko control\*
- Interior sound system Bluetooth Audio System - 2 pcs.
- LED multicolour halogen - 1 pc.
- 10-point water level lighting
- LED illuminated water cascade
- 3 LED illuminated water fountains
- 4 illuminated corners of the housing Ambiente Light® LED
- acrylic bathtub trough with Microban® antimicrobial coating
- BASF® Fiber Core bath insulation
- Silence O<sub>3</sub> ozonizer
- circulation pump
- 2 headrests
- bathtub base Insect Protection

\*Optional Gecko control system at extra cost



FEEL  
THE SOOTHING  
SOUND OF WATER

## 3. PLATINIUM

### 3-seater bathtub Exclusive Series

1 seat, 2 recliners

dimensions: 221 x 157 x 80 cm  
weight without water: 310 kg  
water volume: 800 l



#### EQUIPMENT

- 65 water massage jets
- 1 dysza kaskadowa
- two 2-speed hydromassage pumps, each with 2 HP
- 8 air nozzles
- 1 hp Air Stream blower
- Balboa Exclusive / Gecko control\*
- Interior sound system Bluetooth Audio System - 2 pcs.
- LED multicolour halogen - 1 pc.
- 10-point water level lighting
- LED illuminated water cascade
- LED illuminated water fountain
- 4 illuminated corners of the housing Ambiente Light® LED
- acrylic bathtub trough with Microban® antimicrobial coating
- BASF® Fiber Core bath insulation
- Silence O<sub>3</sub> ozonizer
- circulation pump
- 2 headrests

\*Optional Gecko control system at extra cost



**FEAST**  
FOR THE SENSES

## 4. ACTIVE

### 5-seater Standard Series bathtub

3 seats, 2 recliners

Dimensions: 200 x 200 x 93 cm

Weight without water: 350 kg

Water volume: 1100 l



#### EQUIPMENT

- 34 water massage jets
- 3 cascade nozzles
- One 2-speed hydromassage pump with 2 HP
- Balboa Standard/Gecko control\*
- Interior sound system Bluetooth Audio System - 2 pcs.
- LED multicolour halogen - 1 pc.
- 10-point water level lighting
- 4 illuminated corners of the housing Ambiente Light® LED
- acrylic bathtub trough with Microban® antimicrobial coating
- BASF® Fiber Core bath insulation
- Silence O<sub>3</sub> ozonizer
- 3 headrests
- bathtub base Insect Protection
- optionally: 10 air nozzles
- optionally: Air Stream 1 hp blower



\*Optional Gecko control system at extra cost



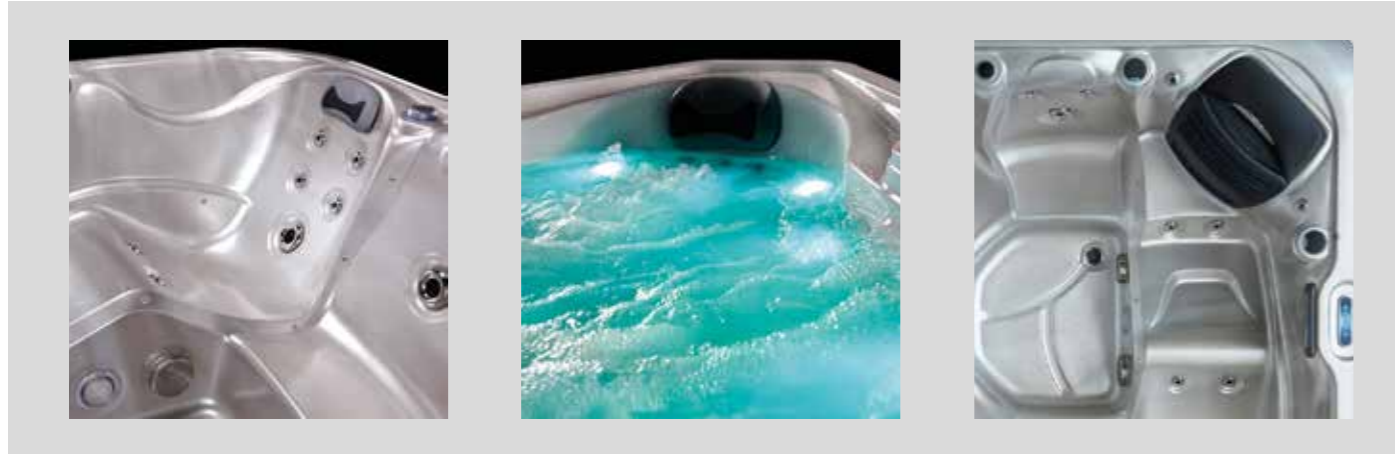
**DISCOVER**  
THE BENEFITS OF HYDROTHERAPY

## 5. FANATIC

### 6-seater Standard Series bathtub

5 seats, 1 recliner

dimensions: 223 x 223 x 94 cm  
weight without water: 350 kg  
water volume: 1250 litrów



### EQUIPMENT

- 28 water massage jets
- 2 cascade nozzles
- Two-speed hydromassage pump with a power of 3 hp
- Balboa Standard/Gecko control\*
- Interior sound system Bluetooth Audio System - 2pcs.
- LED multicolour halogen - 1 pcs.
- 16-point water level lighting
- 4 illuminated corners of the housing Ambiente Light® LED
- Acrylic bathtub trough with Microban® antimicrobial coating
- BASF® Fiber Core bath insulation
- Silence O<sub>3</sub> ozonizer
- Circulation pump
- 3 headrests
- Bathtub base Insect Protection
- Optionally: 12 air massage jets
- Optionally: Air Stream 1 hp blower



\*Optional Gecko control system at extra cost



SPA  
AT HOME

## 6. PRESTIGE

### 5-person Exclusive Series bathtub

3 seats, 2 recliners

dimensions: 225 x 225 x 95 cm

weight without water: 400 kg

water volume: 1250 l



#### EQUIPMENT

- 61 water massage jets
- 3 cascade nozzles
- two 2-speed hydromassage pumps, each with 2 HP
- 10 air nozzles
- Air Stream 1 hp blower
- Balboa Exclusive / Gecko control\*
- Interior sound system Bluetooth Audio System - 2 pcs.
- LED multicolour halogen - 1 pc.
- 16-point water level lighting
- LED illuminated water cascade
- 4 illuminated corners of the housing Ambiente Light® LED
- acrylic bathtub trough with Microban® antimicrobial coating
- BASF® Fiber Core bath insulation
- Silence O<sub>3</sub> ozonizer
- circulation pump
- 3 headrests
- bathtub base Insect Protection



**LOSE YOURSELF  
IN A MOMENT'S REST**

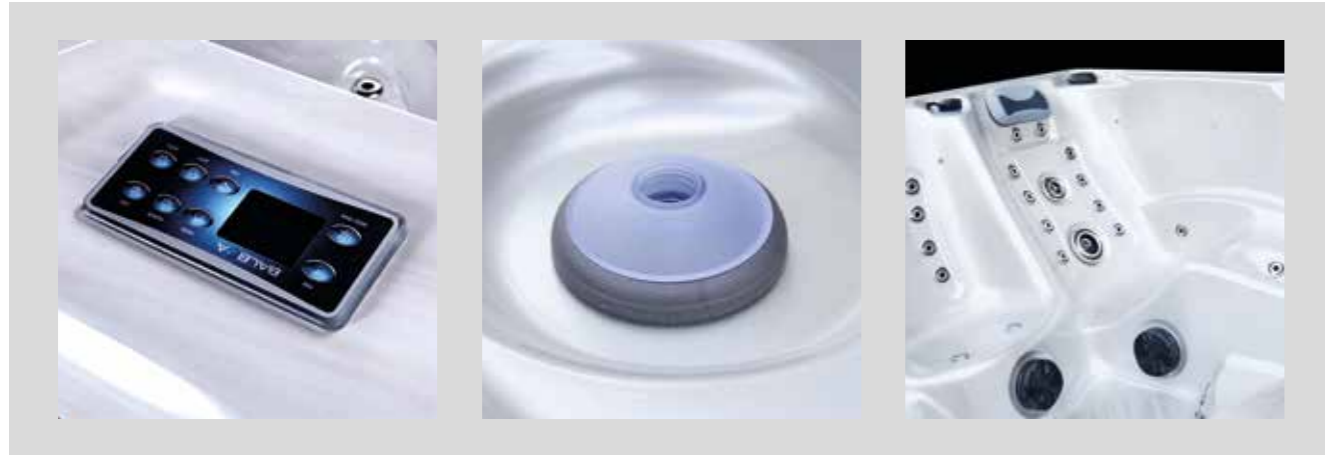
\*Optional Gecko control system at extra cost

## 7. MAYESTIC

### 5-person Exclusive Series bathtub

3 seats, 2 recliners

dimensions: 221 x 221 x 96 cm  
weight without water: 430 kg  
water volume: 1250 l



#### EQUIPMENT

- 106 water massage jets
- 2 geyser jets
- three 2-speed hydromassage pumps, each with 2 HP
- 10 air nozzles
- Air Stream 1 hp blower
- Balboa Exclusive Plus / Gecko control\*
- Interior sound system Bluetooth Audio System - 2 pcs.
- LED multicolour halogen - 1 pc.
- 16-point water level lighting
- LED illuminated water cascade
- 2 LED illuminated water fountains
- 4 illuminated corners of the housing Ambiente Light® LED
- acrylic bathtub trough with Microban® antimicrobial coating
- BASF® Fiber Core bath insulation
- Silence O<sub>3</sub> ozonizer
- circulation pump
- 3 headrests
- bathtub base Insect Protection



\*Optional Gecko control system at extra cost



DIVE  
INTO PLEASURE

## 8. CROWN

### 6-person round bath Overflow Series

6 seats

dimensions: Ø 245 x 98 cm  
weight without water: 450 kg  
water volume: 1560 l



#### EQUIPMENT

- 32 water massage jets
- two 2-speed hydromassage pumps, each with 2 HP
- 16 air nozzles
- 1.5 hp Air Stream blower
- Balboa control
- Interior sound system Bluetooth Audio System 2 pcs.
- LED multicolour halogen - 1 pc.
- 16-point water level lighting
- acrylic bathtub trough with Microban® antimicrobial coating
- BASF® Fiber Core bath insulation
- Silence O<sub>3</sub> ozonizer
- circulation pump
- overflow - leachate trough
- internal cartridge filter in the bathtub casing
- bathtub base Insect Protection
- adaptive headrests made of flexible plastic



**CELEBRATE  
EVERY MOMENT**

# 9. PRESIDENT

## 8-person Exclusive Series bathtub

7 seats, 1 recliner

dimensions: 279 x 221 x 95 cm  
weight without water: 500 kg  
water volume: 1950 l



### EQUIPMENT

- 112 water massage jets
- 2 cascade nozzles
- 1 geyser nozzle
- three 2-speed hydromassage pumps, each with 2 HP
- 16 air nozzles
- 1 hp Air Stream blower
- Balboa Exclusive / Gecko control\*
- Interior sound system Bluetooth Audio System - 2 pcs.
- LED multicolour halogen - 1 pc.
- 16-point water level lighting
- LED illuminated water cascade
- 2 LED illuminated water fountains
- 4 illuminated corners of the housing Ambiente Light® LED
- Microban®-coated acrylic bathtub trough
- BASF® Fiber Core bath insulation
- Silence O<sub>3</sub> ozonizer
- circulation pump
- 3 headrests
- bathtub base Insect Protection



**EXPERIENCE  
RELAXATION**

\*Optional Gecko control system at extra cost

# 10. SPRINT

## Swim Spa Series

5 seats, 1 recliner

dimensions: 385 x 220 x 120 cm

weight without water: 750 kg

water volume: 6050 l



### EQUIPMENT

- 5 counterflow jets - Swim Jets
- 3 counterflow pumps, 3 hp each
- 40 water massage jets
- two 2-speed hydromassage pumps, each with 2 HP
- 15 air massage jets
- Air Stream 1 hp blower
- Balboa control Sport Plus / Gecko\*
- Interior sound system Bluetooth Audio System - 4 pcs.
- LED multicolour halogen - 1 pc.
- 20-point water level lighting
- LED illuminated water fountain
- Swim Spa acrylic shell with Microban® antimicrobial coating
- BASF® Fiber Core bath insulation
- Silence O<sub>3</sub> ozonizer
- circulation pump
- 3 headrests



\*Optional Gecko control system at extra cost



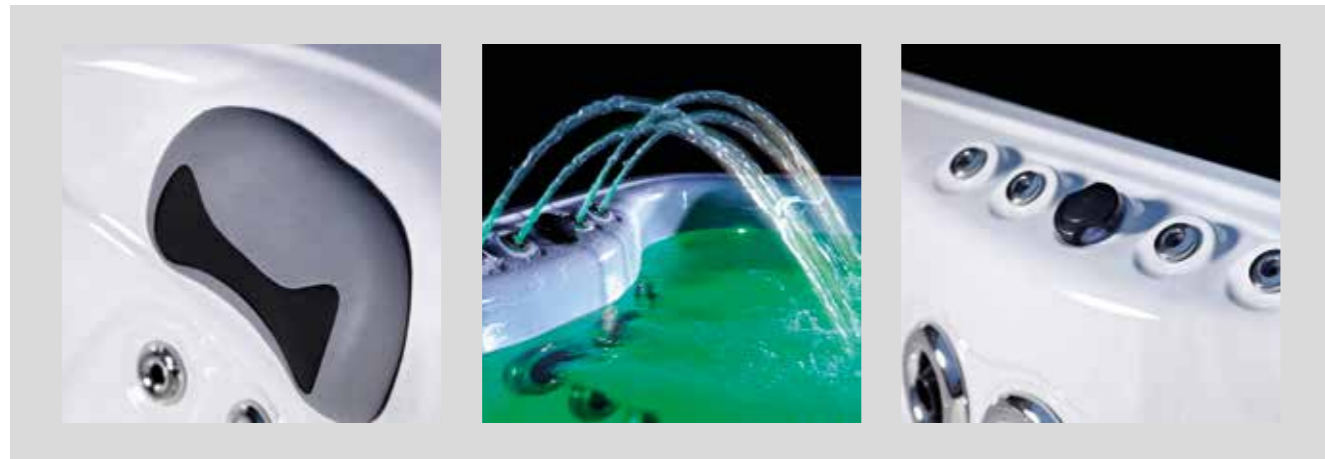
EPIC  
TRAINING

# 11. AMBITION

## Swim Spa Series

1 seat, 2 recliners

dimensions: 435 x 225 x 137 cm  
weight without water: 750 kg  
water volume: 6000 l



### EQUIPMENT

- 6 counterflow jets - Swim Jets
- 3 counterflow pumps, 3 hp each
- 30 water massage jets
- 4 cascade nozzles
- 2-speed hydromassage pump with 2 HP
- Balboa control Sport / Gecko\*
- Interior sound system Bluetooth Audio System - 4 pcs.
- LED multicolour halogen - 1 pc.
- 20-point water level lighting
- 4 LED illuminated water fountains
- Swim Spa acrylic shell with Microban® antimicrobial coating
- BASF® Fiber Core bath insulation
- Silence O<sub>3</sub> ozonizer
- circulation pump
- 2 headrests
- bathtub base Insect Protection



INSPIRING  
EXPERIENCES

\*Optional Gecko control system at extra cost

# 12. EXTREME

**Swim Spa Series**  
1 seat, 2 recliners

dimensions: 450 x 225 x 150 cm  
weight without water: 800 kg  
water volume: 6500 l



## EQUIPMENT

- 3 counterflow jets River Jets
- Three 2-speed counterflow pumps, each rated at 3 hp
- 21 water massage jets
- 2-speed hydromassage pump with 3 HP
- Balboa control Sport / Gecko\*
- Interior sound system Bluetooth Audio System - 4 pcs.
- LED multicolour halogen - 1 pc.
- 20-point water level lighting
- Swim Spa acrylic shell with Microban® antimicrobial coating
- BASF® Fiber Core bath insulation
- Silence O<sub>3</sub> ozonizer
- circulation pump
- 2 headrests
- 3 internal handrails
- bathtub base Insect Protection



\*Optional Gecko control system at extra cost



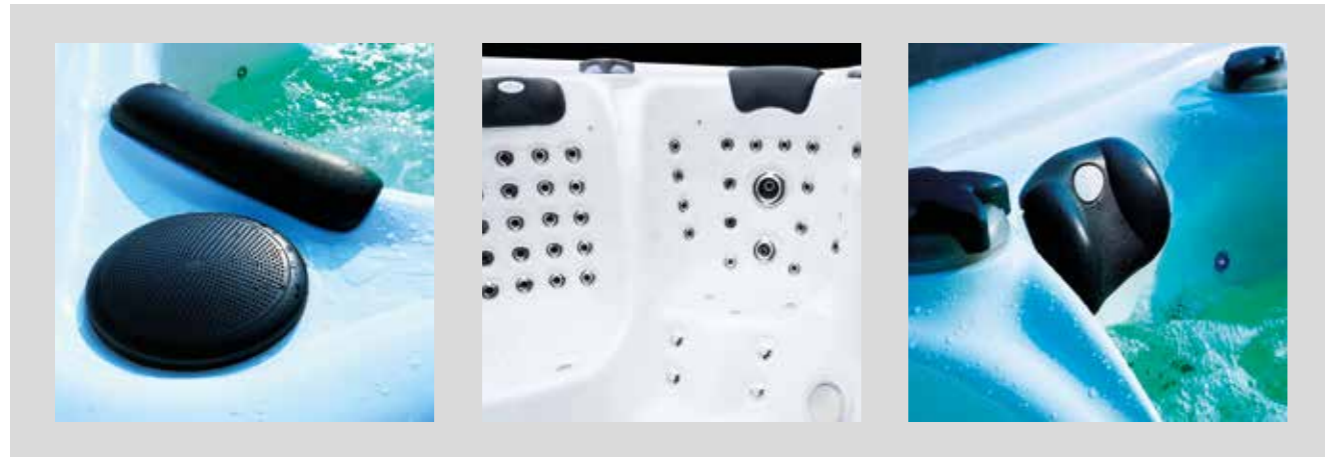
**PURE  
PLEASURE**

# 13. FLOW MOTION

## Swim Spa Series

2 seats, 2 recliners

dimensions: 575 x 225 x 132 cm  
weight without water: 850 kg  
water volume: 8500 l



### EQUIPMENT

- 6 counterflow jets River Jets
- Three 2-speed counterflow pumps, each rated at 3 hp
- 62 water massage jets
- 2-speed hydromassage pump with 2 HP
- Balboa control Sport / Gecko\*
- Interior sound system Bluetooth Audio System - 4 pcs.
- LED multicolour halogen - 2 pcs.
- 40-point water level lighting
- fontanna podświetlana LED
- Swim Spa acrylic shell with Microban® antimicrobial coating
- BASF® Fiber Core bath insulation
- Silence O3 ozonizer
- circulation pump
- 4 headrests
- bathtub base Insect Protection



\*Optional Gecko control system at extra cost



**A NEW  
LEVEL OF PLEASURE**

# 14. DIMENSION

## Swim Spa Series

3 seats

dimensions: 595 x 228 x 154 cm  
weight without water: 900 kg  
water volume: 9200 l



### EQUIPMENT

- 4 DIMENSION infinity water turbines powered by 3 hp pumps each
- 9 Water massage jets
- 2-speed hydromassage pump with 2 HP
- Balboa control Sport / Gecko\*
- LED multicolour halogen - 2 pcs.
- 30-point water level lighting
- Swim Spa acrylic shell with Microban® antimicrobial coating
- BASF® Fiber Core bath insulation
- Silence O<sub>3</sub> ozonizer
- circulation pump
- internal handrail
- bathtub base Insect Protection

\*Optional Gecko control system at extra cost



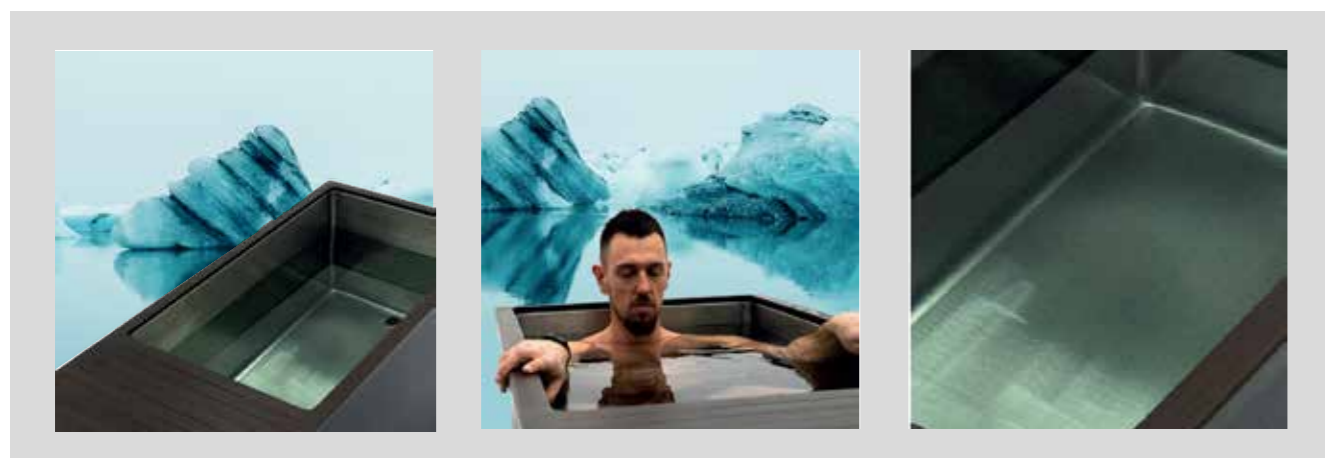
**EXTREME  
SENSATIONS**

# 15. ICE SPA

Ice SPA Series

1 person

dimensions: 73 x 180 x 75 cm



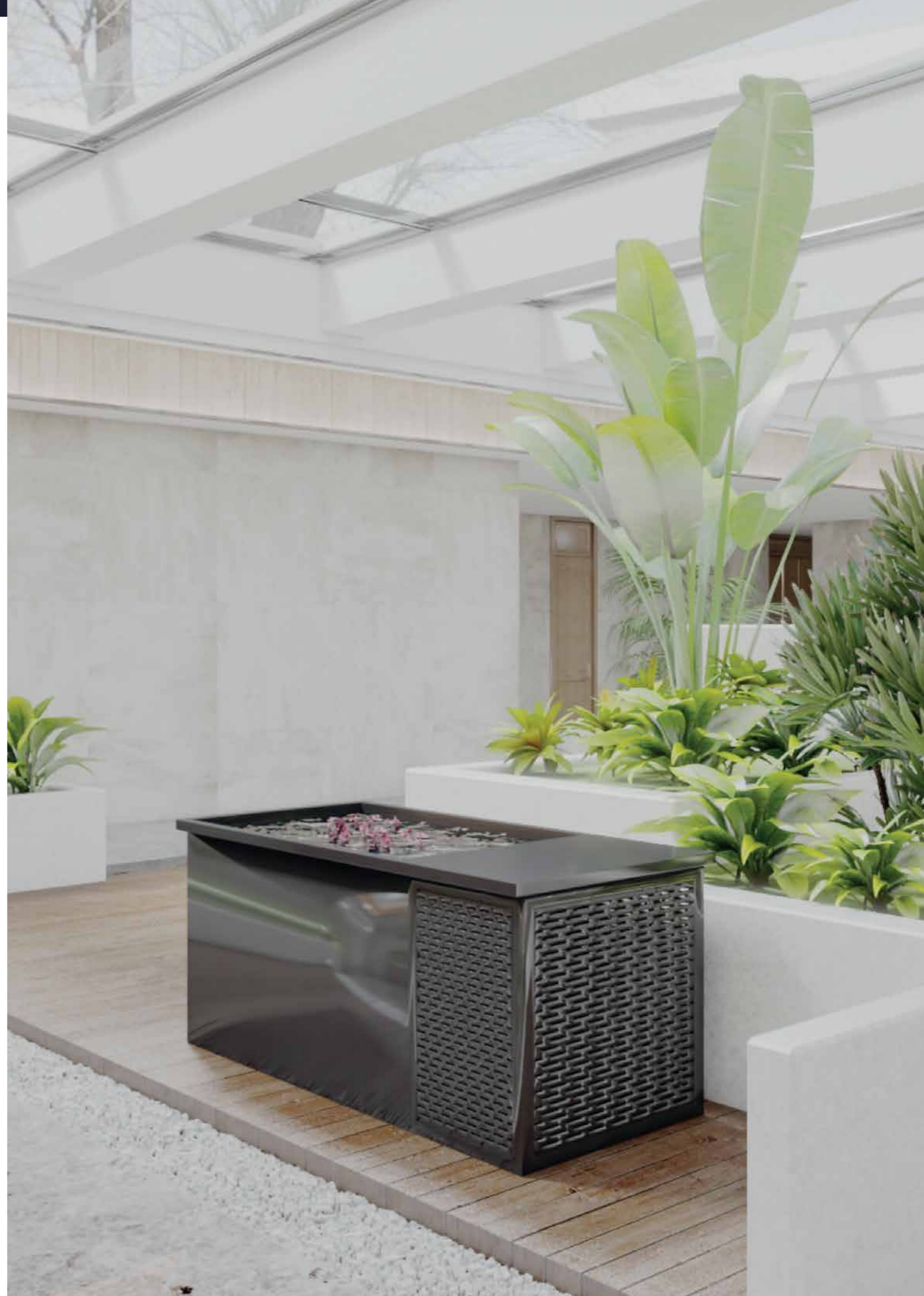
The walrus bathtub will change your approach to life and allow you to go beyond your own limitations.

Ice baths are a recovery method used by athletes and people who want to relieve muscle pain and inflammation after physical activity.

Some possible benefits of an ice bath are:

- Reducing muscle soreness.
- Improving recovery time.
- Reducing inflammation.
- Improves blood circulation.

It is always best to consult your doctor before starting a new treatment.



# COVERINGS

thermal **ULTRA** for SPA and Swim SPA baths\*



Full assortment available on request



## COLOURS AVAILABLE:

- black
- grey
- brown



Steps for SPA and SWIM SPA baths - available in various colours and sizes. 2 and 3-step



Chemicals for SPA and SWIM SPA baths



\*Dodatkowe EQUIPMENT do wanny, opcjonalne, za dodatkową opłatą

# STEPS

for SPA and Swim Spa

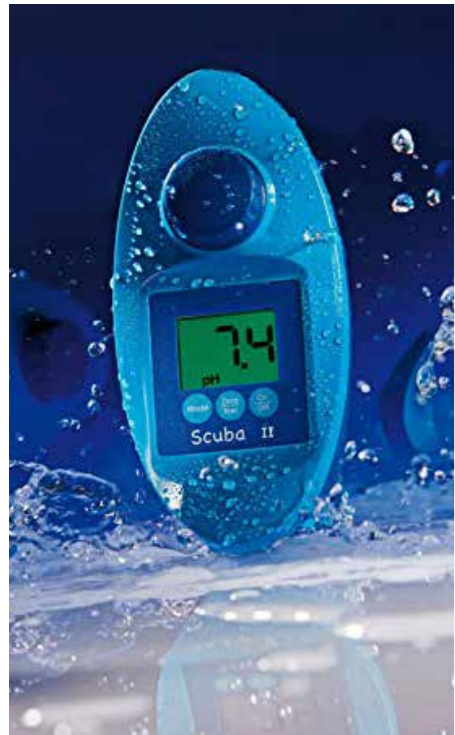
## SIZES AVAILABLE:

- M
- L
- XL
- XXL Swim SPA



\*Additional EQUIPMENT for the bath, optional, at extra cost

LOVIBOND electronic and manual testers



Examples of visualisations of spa baths



Platinum



Prestige

Spa bath filter cleaning equipment



Cartridge filter cleaning device



Hand brush for cleaning spa bath filters



Prestige



Hand Vacuum Cleaner for Spa Bathtubs



Platinum



Platinum

# AUTHORISED SERVICE



Silver Star



Platinum



We are an authorised service provider for **all the brands in our range!**

We provide warranty as well as post-warranty service on original components regardless of the place of purchase. We approach each repair with the utmost care. Get in touch with our service support.



Prestige



Prestige



Platinum

# PRODUCT ASSISTANCE



# Note

A series of horizontal dotted lines for writing notes.

# Note

A series of horizontal dotted lines for writing notes.

# Note

